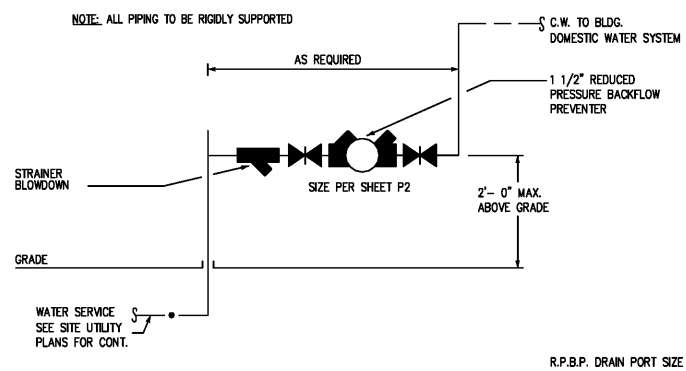
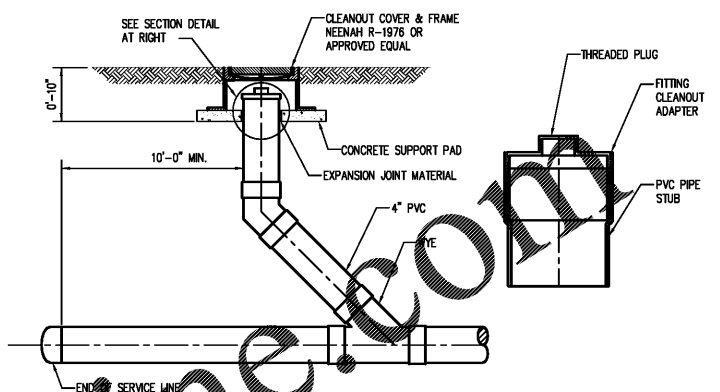


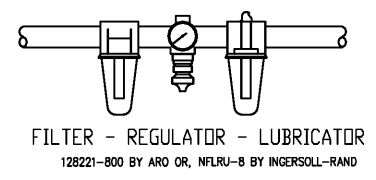
7 INSULATED EXTERIOR SANITARY PIPE
NO SCALE



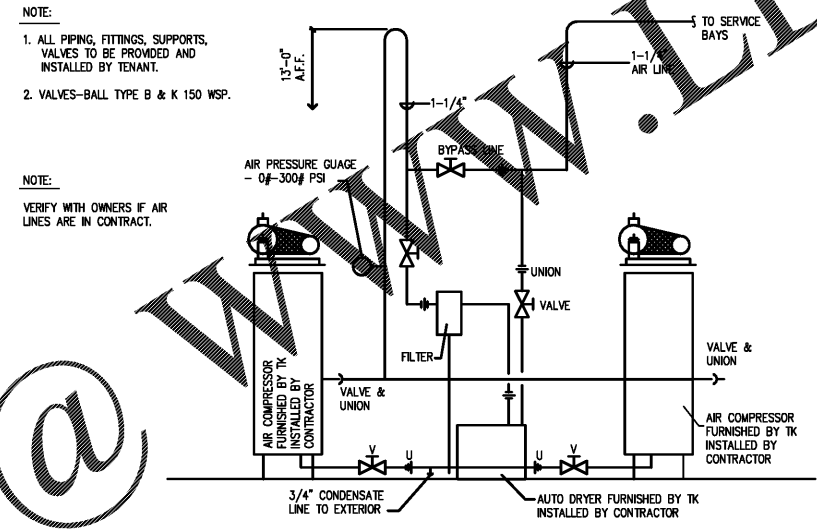
4 REDUCED PRESSURE BACKFLOW PREVENTER
NO SCALE



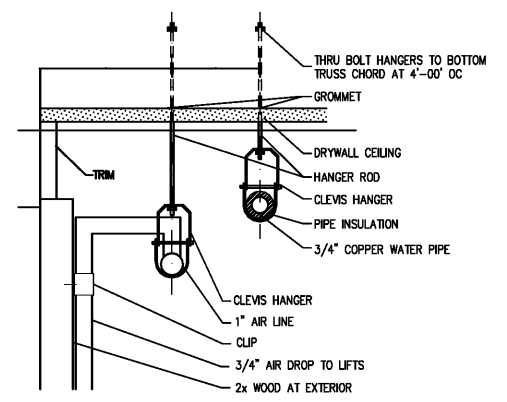
1 EXTERIOR GRADE CLEANOUT DETAIL
NO SCALE



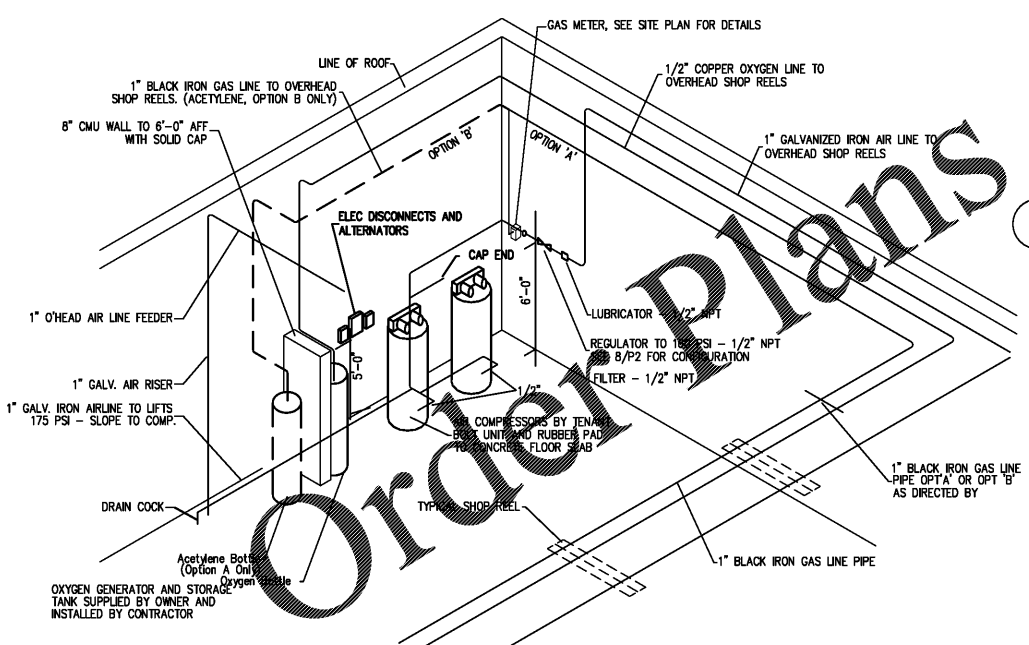
8 AIR LINE DROP
NO SCALE



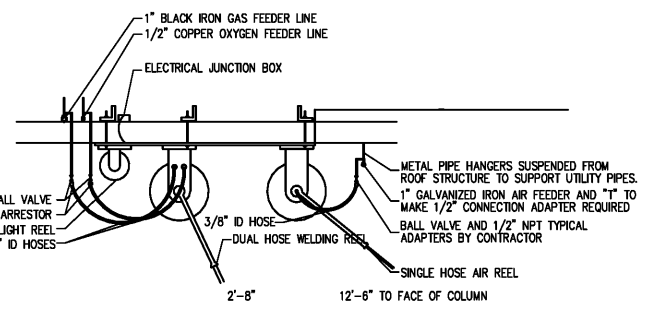
5 TYPICAL COMPRESSOR PIPING LAYOUT DETAIL
NO SCALE



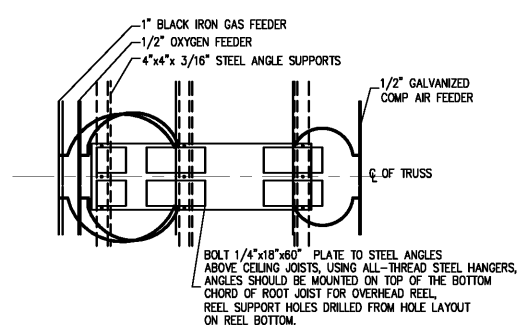
2 PIPE HANGER DETAIL
NO SCALE



8 ISOMETRIC - PROCESS PIPING
NO SCALE



6 DUAL SHOP REEL ELEVATION
NO SCALE



3 DUAL SHOP REEL PLAN
NO SCALE