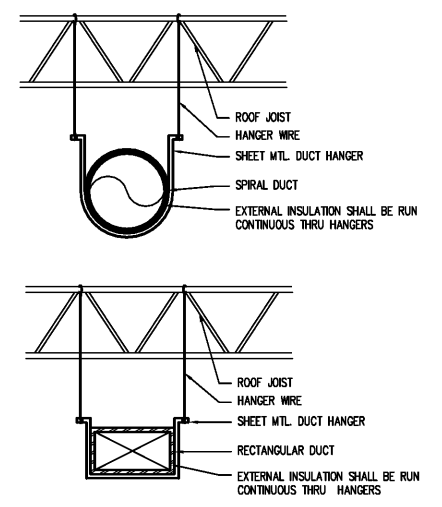
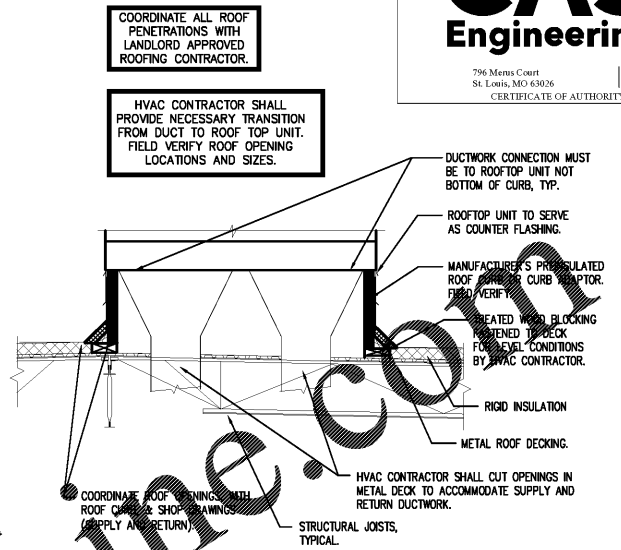


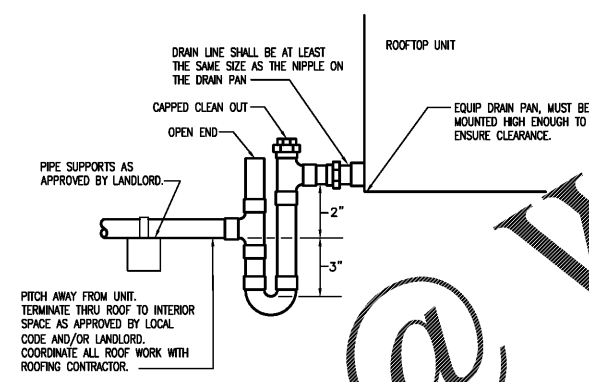
**7 RTU WIND RESTRAINT DETAIL**  
NO SCALE



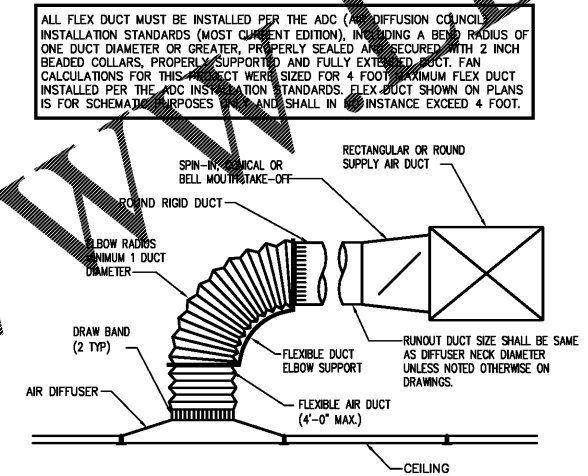
**4 DUCT HANGING DETAILS**  
NO SCALE



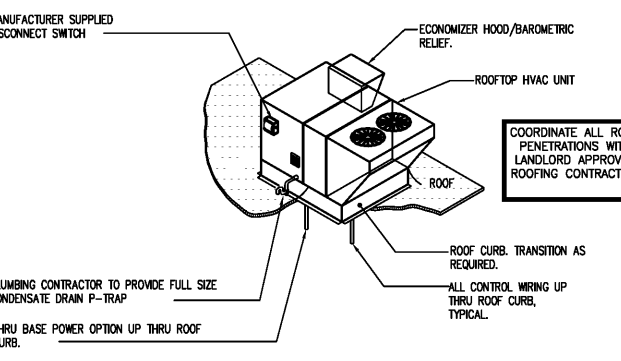
**1 ROOFTOP UNIT CURB DETAIL**  
NO SCALE



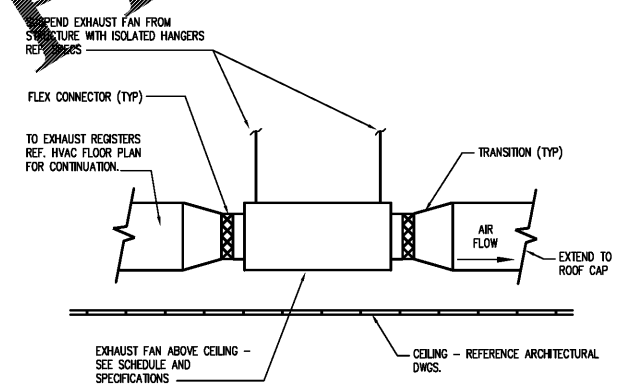
**8 CONDENSATE DRAIN P-TRAP DETAIL**  
NO SCALE



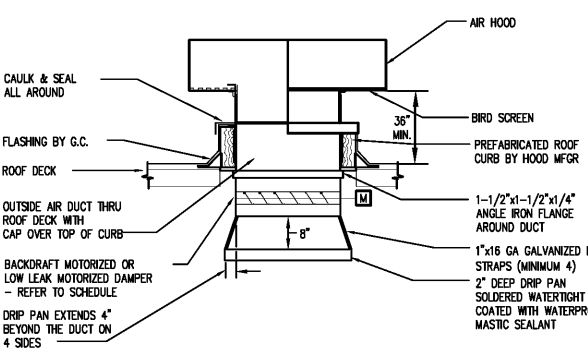
**5 DUCT TO DIFFUSER DETAIL**  
NO SCALE



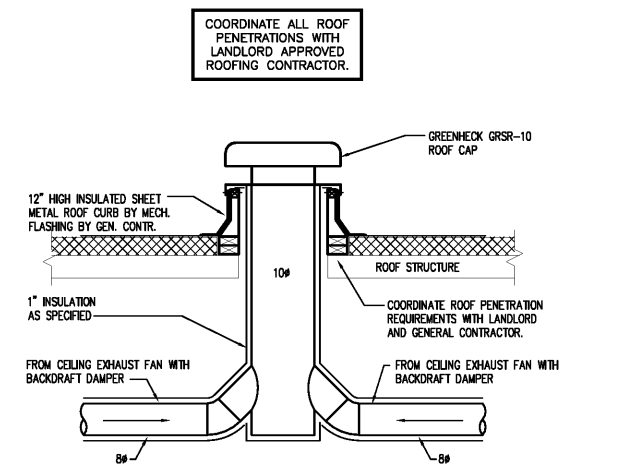
**2 ROOFTOP UNIT PIPING DETAIL**  
NO SCALE



**9 INLINE EXHAUST FAN DETAIL**  
NO SCALE



**6 ROOFTOP INTAKE HOOD DETAIL**  
NO SCALE



**3 ROOF EXHAUST CAP DETAIL**  
NONE

**10 NOT USED**  
NO SCALE

**11 NOT USED**  
NO SCALE

Order Plans @