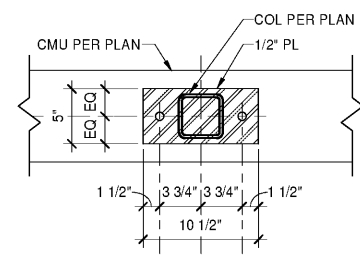
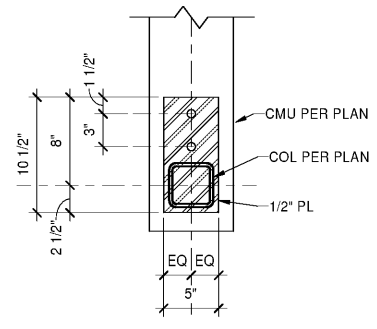


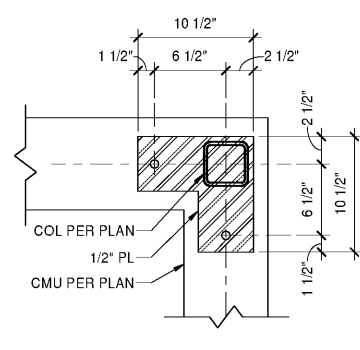
**A FOUNDATION DETAIL**  
S2.4 3/4" = 1'-0"



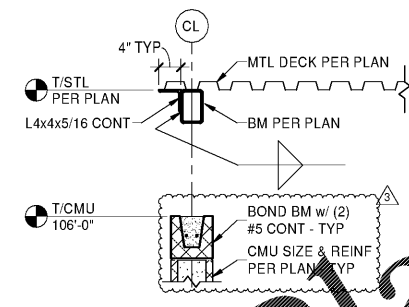
**B DETAIL**  
S2.4 1 1/2" = 1'-0"



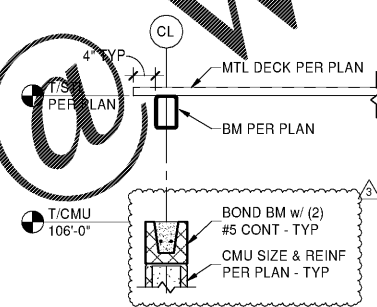
**C DETAIL**  
S2.4 1 1/2" = 1'-0"



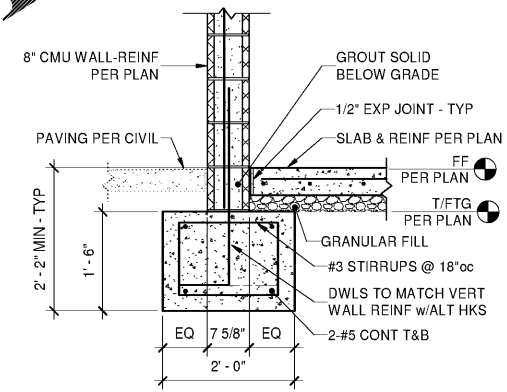
**D DETAIL**  
S2.4 1 1/2" = 1'-0"



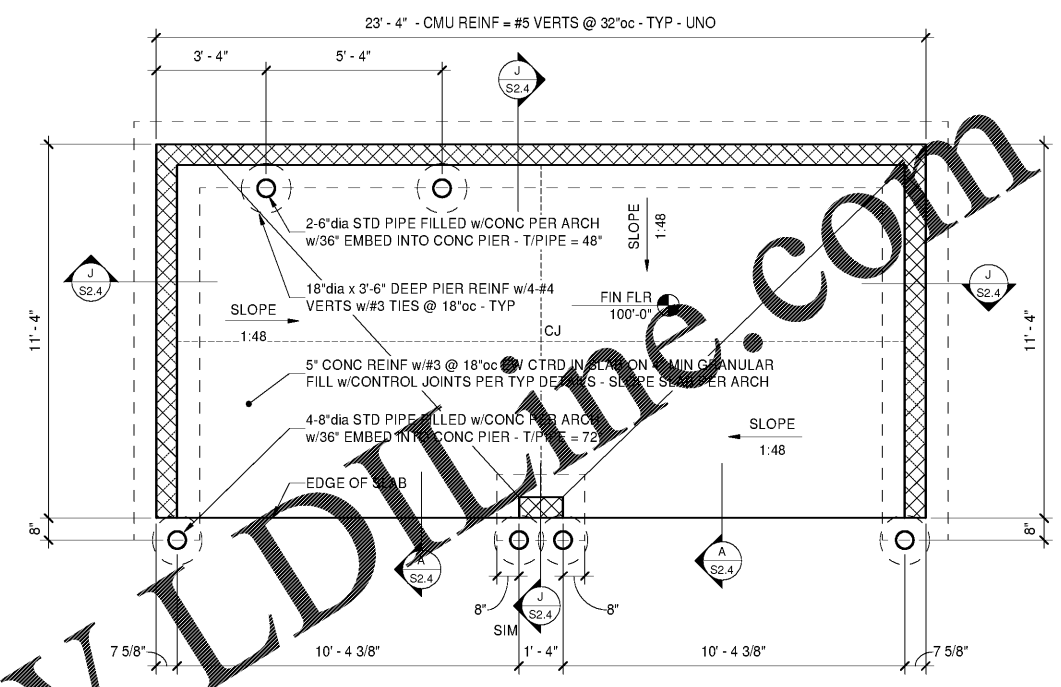
**E FRAMING SECTION**  
S2.4 3/4" = 1'-0"



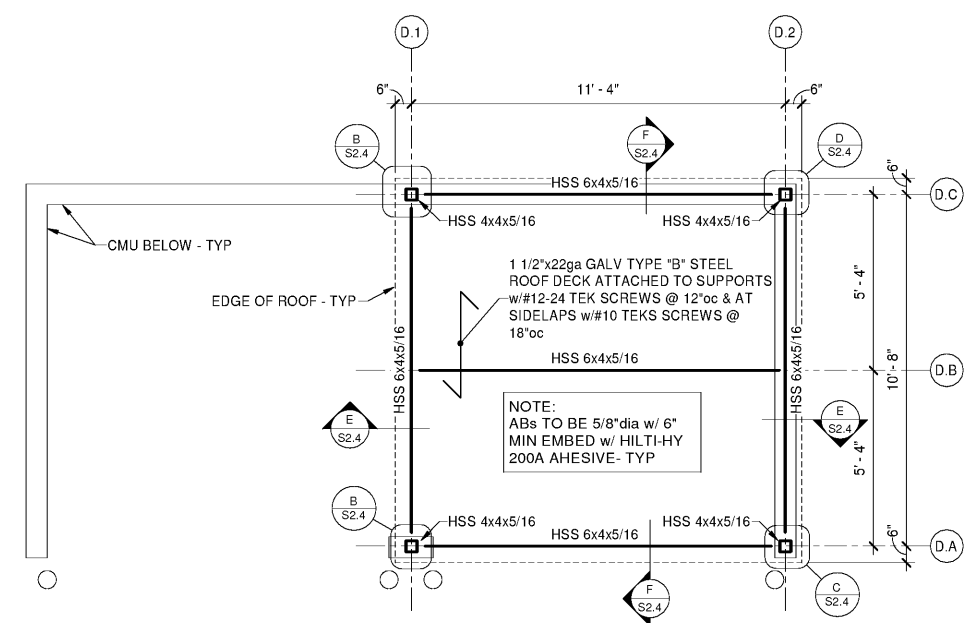
**F FRAMING SECTION**  
S2.4 3/4" = 1'-0"



**J FOUNDATION SECTION**  
S2.4 3/4" = 1'-0"



**DUMPSTER ENCLOSURE FOUNDATION PLAN**  
S2.4 3/8" = 1'-0"



**H DUMPSTER ENCLOSURE FRAMING PLAN**  
S2.4 3/8" = 1'-0"

Order Plans @ WWW.LDLINE.COM