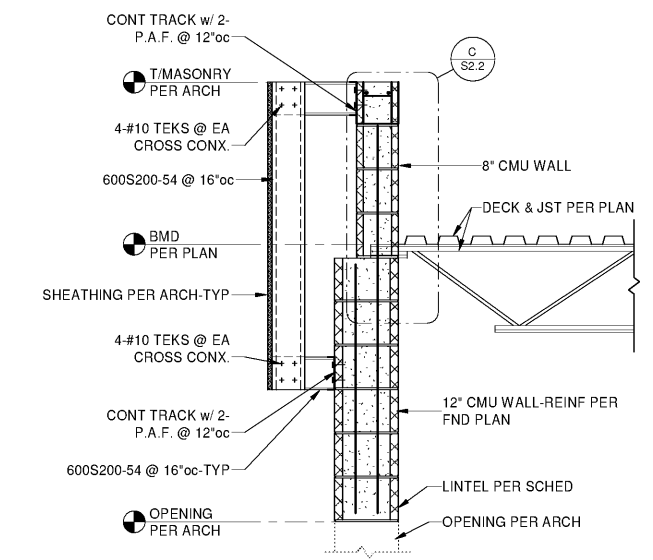
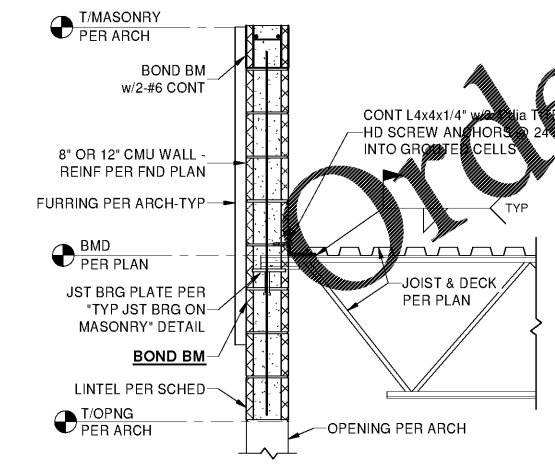


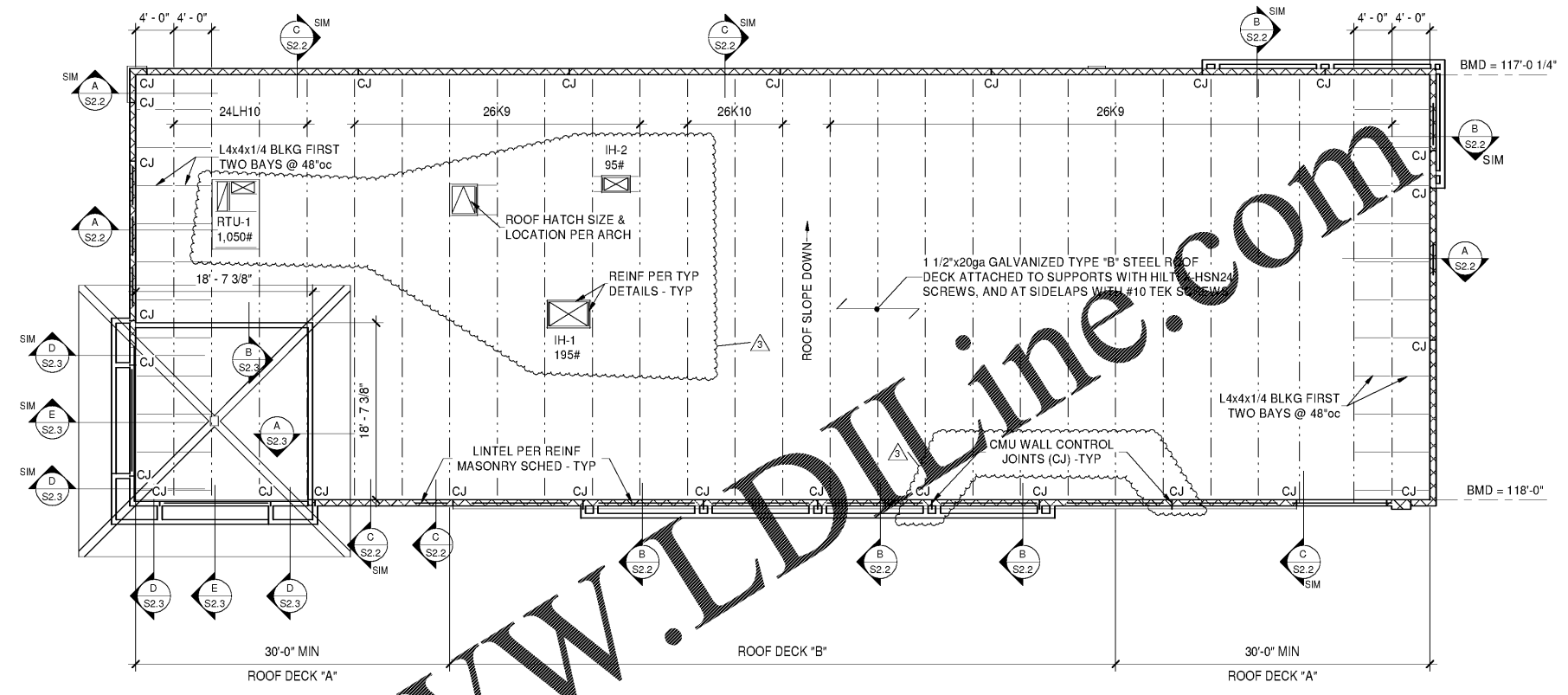
A FRAMING SECTION
S2.2 3/4" = 1'-0"



B FRAMING SECTION
S2.2 3/4" = 1'-0"



C FRAMING SECTION
S2.2 3/4" = 1'-0"



ROOF FRAMING PLAN

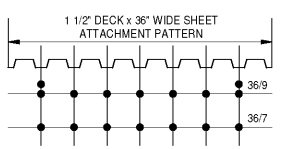
PLAN NOTES

- SEE SHEETS S1.1 - S1.3 FOR GENERAL NOTES AND TYPICAL DETAILS.
- PROVIDE HORIZONTAL JOIST BRIDGING AND SPACING PER LATEST SJI MANUAL.
- JOIST MANUFACTURER TO COORDINATE WITH CONTRACTORS TO DETERMINE RTU AND TRANSFORMER LAYOUTS, WEIGHTS, AND FOOTPRINTS. RTU AND EXHAUST HOOD LOADS ARE TO BE IN ADDITION TO OTHER DESIGN LOADS.
- MAXIMUM JOIST SPACING = 5'-0" TYP - UNO
- ALL ELEVATIONS ARE REFERENCED FROM FINISHED MAIN FLOOR = 100'-0"
 - J/BRG = JOIST BEARING ELEVATION = PER PLAN

STEEL LINTEL SCHEDULE			KEY
FOR LINTELS NOT SHOWN IN THE DOOR OR WINDOW SCHEDULE OR ON THE ARCHITECT'S DRAWINGS, USE THE ANGLE SIZE SHOWN IN THE TABLE BELOW.			<p>TWO ANGLES</p>
OPENING SIZE	8" MASONRY WALL ANGLE SIZE	12" MASONRY WALL ANGLE SIZE	
UP TO 1'-0"	N/A	N/A	<p>10"x3/8" PLATE</p>
1'-1" TO 3'-4"	L 3 1/2"x3 1/2"x1/4"	L 5"x3 1/2"x1/4" LLH	
3'-5" TO 4'-8"	L 4"x3 1/2"x1/4" LLV	L 5"x3 1/2"x1/4" LLH	
4'-9" TO 6'-8"	L 6"x3 1/2"x5/16" LLV	L 5"x5"x5/16"	
6'-9" TO 10'-0"	L 6"x3 1/2"x3/8" LLV	L 5"x5"x5/8"	
10'-1" TO 12'-0"	L 6"x3 1/2"x1/2" LLV	L 6"x4"x7/8" LLV w/ PLATE *	
NOTES: 1. ALL ANGLES MUST HAVE 8" OF BEARING AT EACH END. 2. THIS SCHEDULE DOES NOT INCLUDE EFFECT OF FLOOR OR ROOF FRAMING LOADS. 3. ALL ANGLES TO BE GALVANIZED. 4. WELD ANGLES TOGETHER, BACK-TO-BACK, w/ 3/16" WELDS , 2" EVERY 12", TOP & BOT.			

REINFORCED MASONRY LINTEL SCHEDULE				
MAX. CLEAR SPAN	DEPTH	8" WALL	12" WALL	MAS. WIDTH PER PLANSCHED
2'-0"	8"	(2) #5	(2) #5	<p>MASONRY REINF PER PLAN TOP REINF LOCATION SHEAR REINF BOT REINF LOCATION</p>
4'-0"	16"	(2) #5	(2) #5	
6'-0"	24"	(2) #5	(2) #5	
8'-0"	24"	(2) #5 T&B	(2) #5	
14'-0"	32"	(2) #5 T&B	(2) #5	
NOTES: 1. EXTEND REINFORCING 24" EACH SIDE OF OPENING (MINIMUM). 2. ALL CELLS SHALL BE FULLY GROUTED. 3. PROVIDE ADDITIONAL WALL REINF FOR TWO CELLS ADJACENT TO OPENING EACH SIDE; USE TYP. VERTICAL WALL REINF (UNO). 4. REINFORCING (ALL REINF. IS AT BOTTOM, UNLESS NOTED OTHERWISE (T=TOP, B=BOTTOM, & M=MIDDLE)).				

ROOF DECK ATTACHMENT SCHEDULE		
MARK	DECK ATTACHMENT PATTERN TO SUPPORTS w/#14 SCREWS	SIDLAP FASTENER SPACING w/#10 SCREWS
A	36/9	12"oc MAX
B	36/7	12"oc MAX



E ROOF DECK ATTACHMENT SCHEDULE AND DETAIL
S2.2 N.T.S.

Order Plans @ www.LDOnline.com