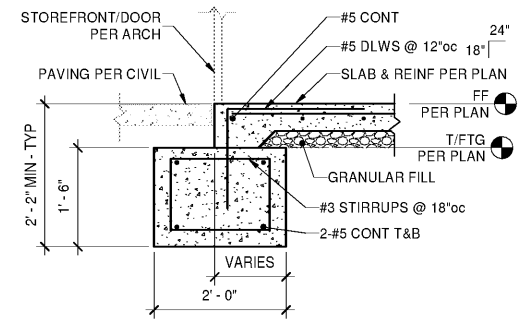
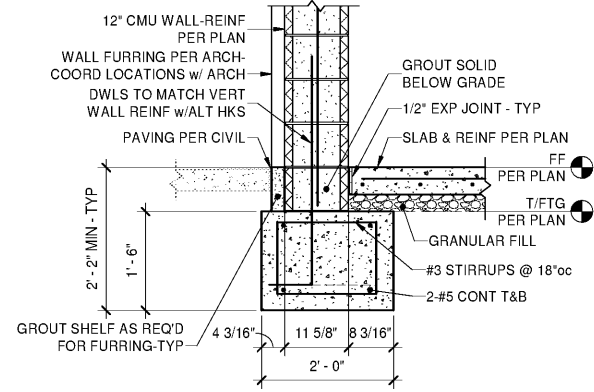


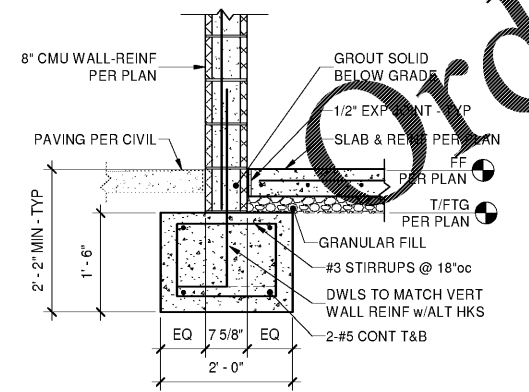
A FOUNDATION SECTION
S2.1 3/4" = 1'-0"



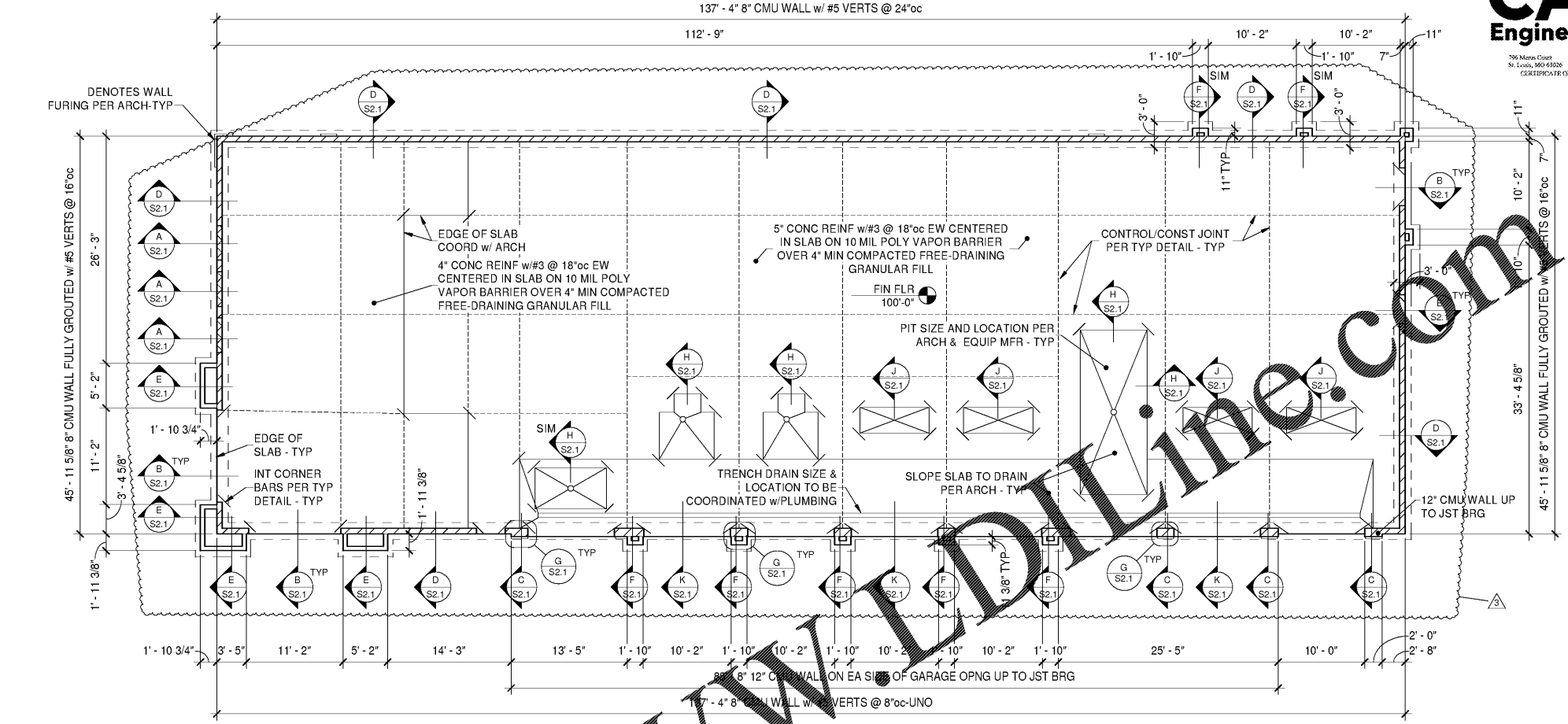
B FOUNDATION SECTION
S2.1 3/4" = 1'-0"



C FOUNDATION SECTION
S2.1 3/4" = 1'-0"



D FOUNDATION SECTION
S2.1 3/4" = 1'-0"

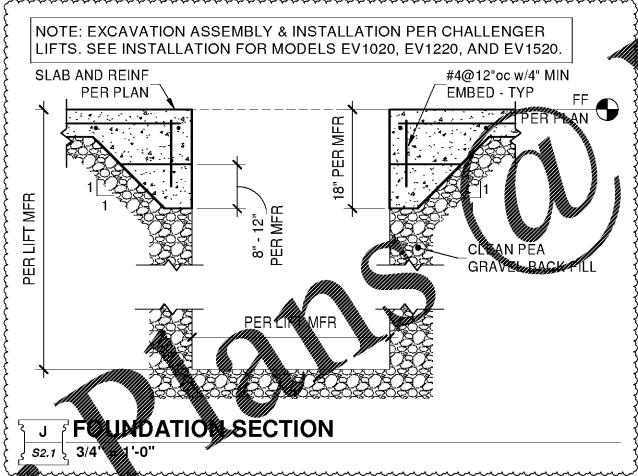


FOUNDATION PLAN

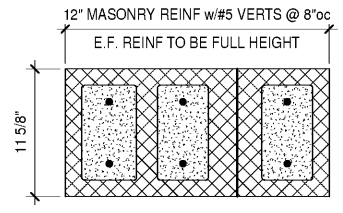
PLAN NOTES

- SEE SHEETS S1.1 - S1.3 FOR GENERAL NOTES AND TYPICAL DETAILS.
 - SEE ARCHITECTURAL DRAWINGS FOR DIMENSIONS, SECTIONS, AND ELEVATIONS NOT SHOWN HEREON.
 - COORDINATE SIZE AND LOCATION OF ROUGH OPENINGS IN FLOOR OR WALLS WITH ARCHITECTURAL DRAWINGS.
 - ALL ELEVATIONS ARE REFERENCED FROM FINISHED MAIN FLOOR = 100'-0"
- T/FTG = TOP OF FOOTING = 99'-4" TYP - UNO

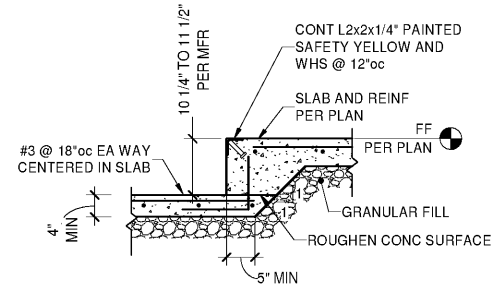
SCALE: 1/8" = 1'-0"



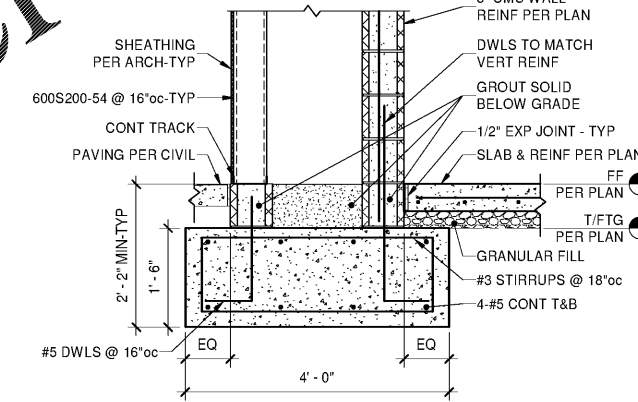
J FOUNDATION SECTION
S2.1 3/4" = 1'-0"



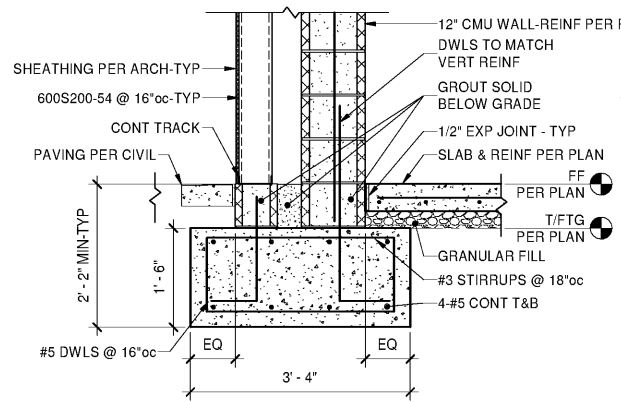
G FOUNDATION DETAIL
S2.1 1 1/2" = 1'-0"



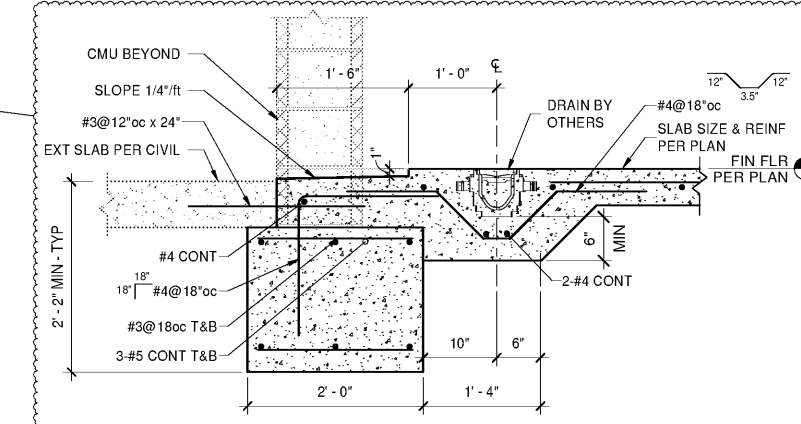
H FOUNDATION SECTION
S2.1 3/4" = 1'-0"



E FOUNDATION SECTION
S2.1 3/4" = 1'-0"



F FOUNDATION SECTION
S2.1 3/4" = 1'-0"



K FOUNDATION SECTION
S2.1 1" = 1'-0"