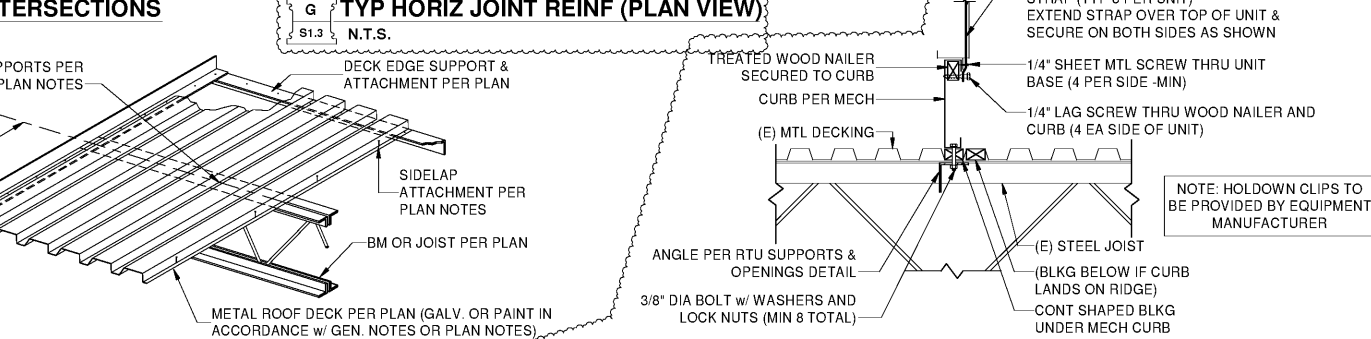
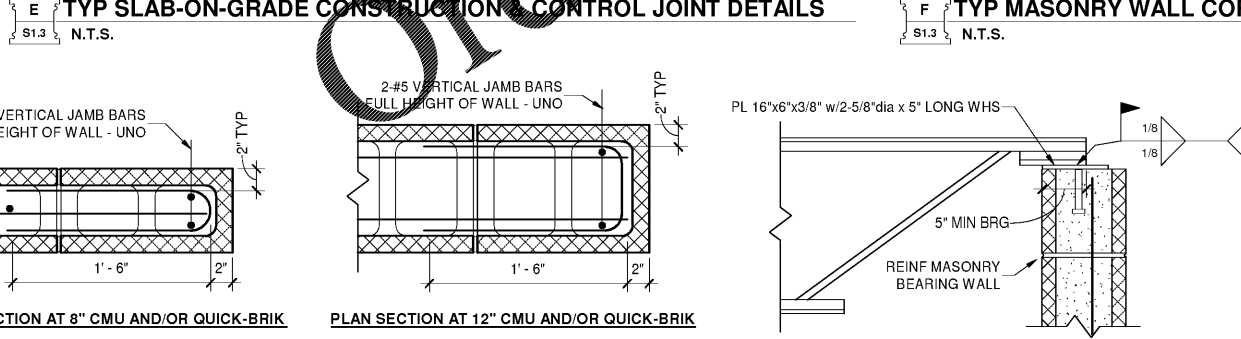
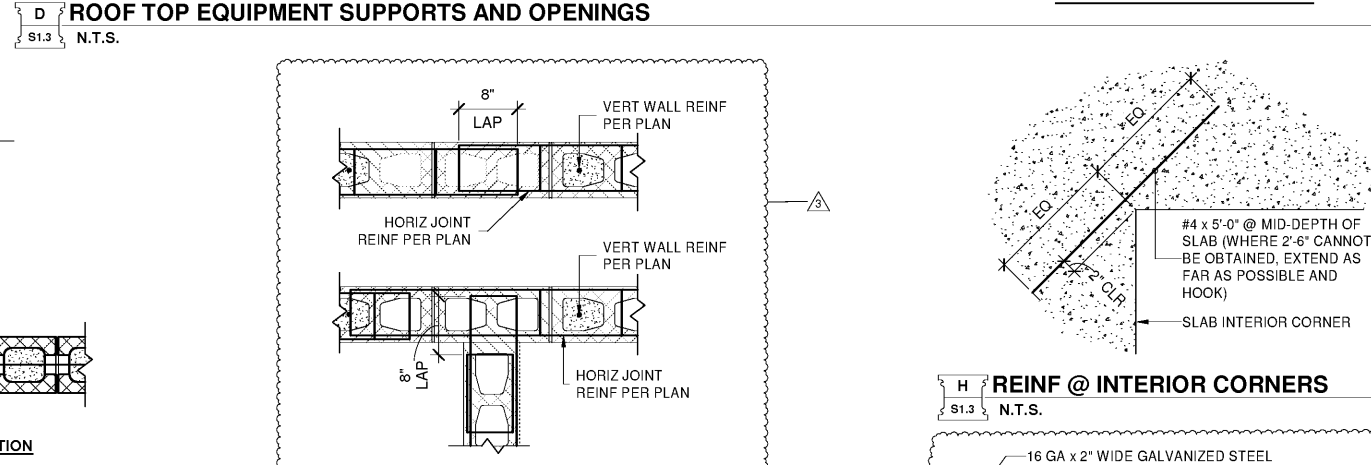
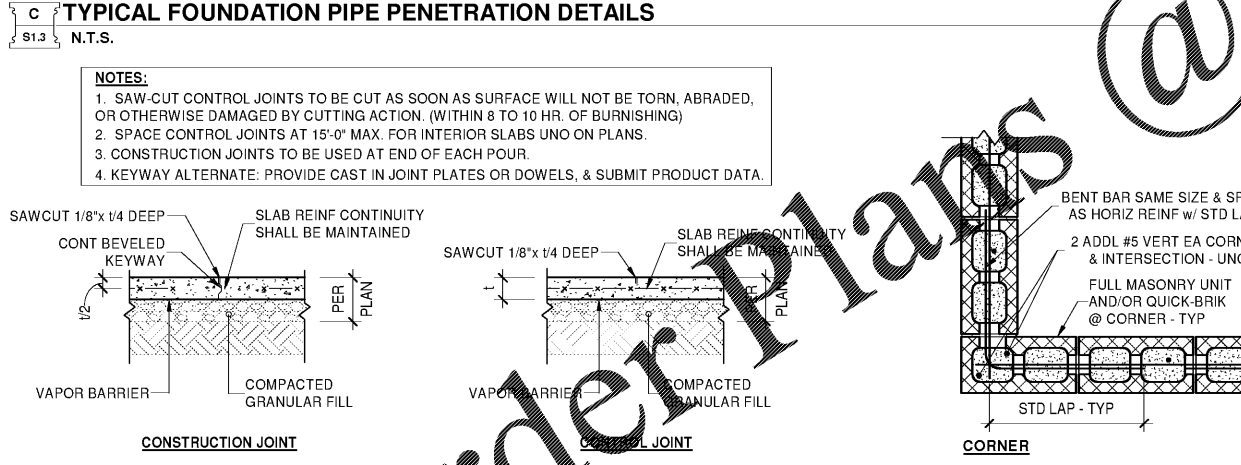
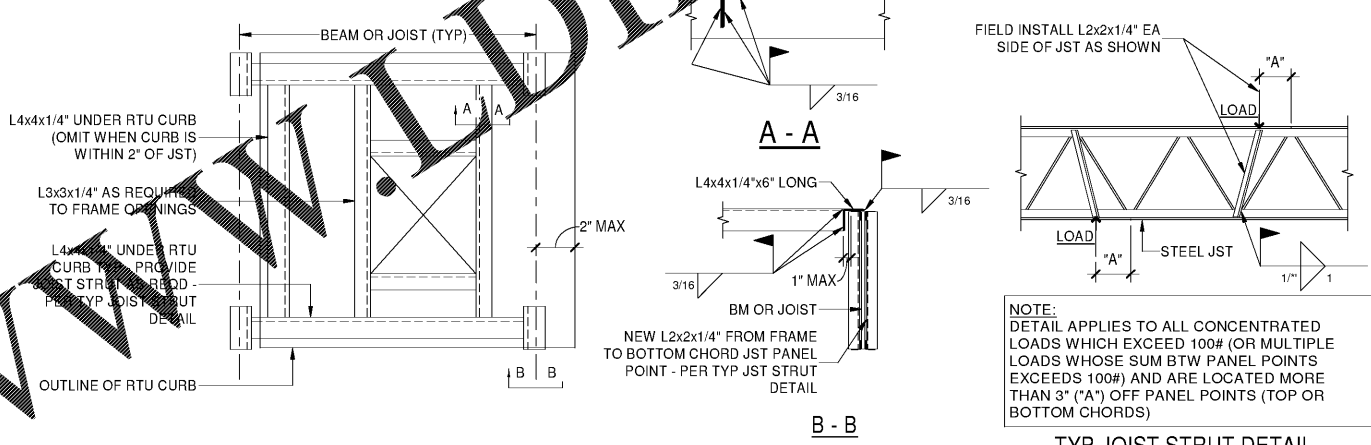
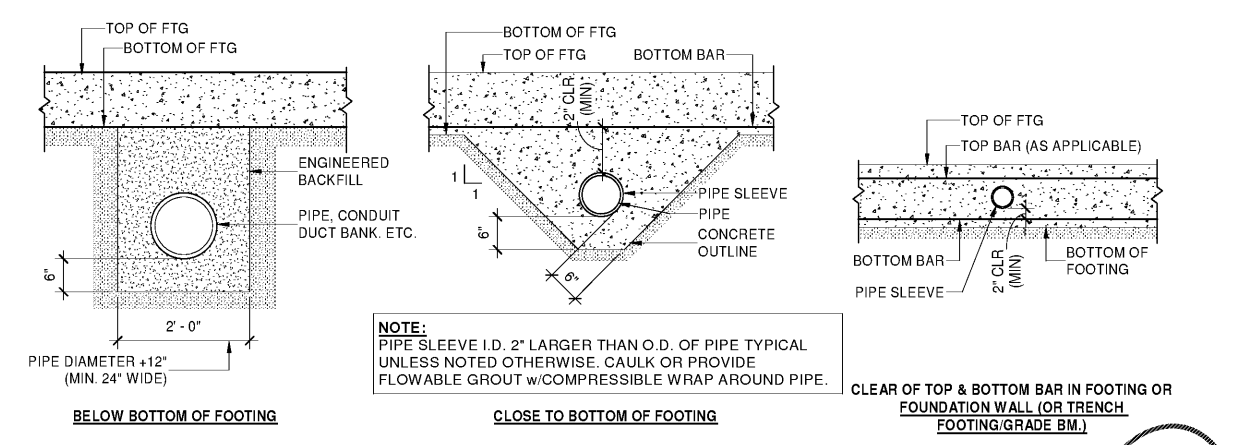


NOTE: GENERAL CONTRACTOR TO PROVIDE CMU AND/OR QUIK-BRIK SHOP DRAWINGS OF ALL CMU AND/OR QUIK-BRIK WALLS SHOWING ALL REINFORCEMENT, LINTELS, CONTROL JOINTS, ETC. ON SCALED WALL ELEVATIONS TO EOR FOR REVIEW PRIOR TO FABRICATION

LEGEND:
A = 16" LONG BLOCK
B = 8" LONG BLOCK

NOTE: THIS DETAIL OCCURS ONLY WHERE APPLICABLE ON PLANS (SEE PRO)



NOTE: 1. SAW-CUT CONTROL JOINTS TO BE CUT AS SOON AS SURFACE WILL NOT BE TORN, ABRADED, OR OTHERWISE DAMAGED BY CUTTING ACTION. (WITHIN 8 TO 10 HR. OF BURNISHING)
2. SPACE CONTROL JOINTS AT 15'-0" MAX. FOR INTERIOR SLABS UNO ON PLANS.
3. CONSTRUCTION JOINTS TO BE USED AT END OF EACH POUR.
4. KEYWAY ALTERNATE: PROVIDE CAST IN JOINT PLATES OR DOWELS, & SUBMIT PRODUCT DATA.

G TYP HORIZ JOINT REINF (PLAN VIEW)
S1.3 N.T.S.

H REINF @ INTERIOR CORNERS
S1.3 N.T.S.

L TYPICAL ROOF DECK ATTACHMENT DETAIL
S1.3 N.T.S.

M CURB ATTACHMENT w/ WIND RESTRAINT
S1.3 N.T.S.

Order Plans @