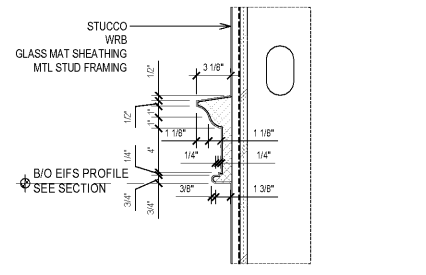
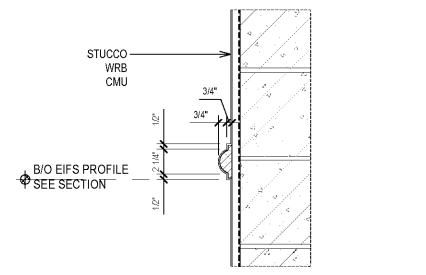


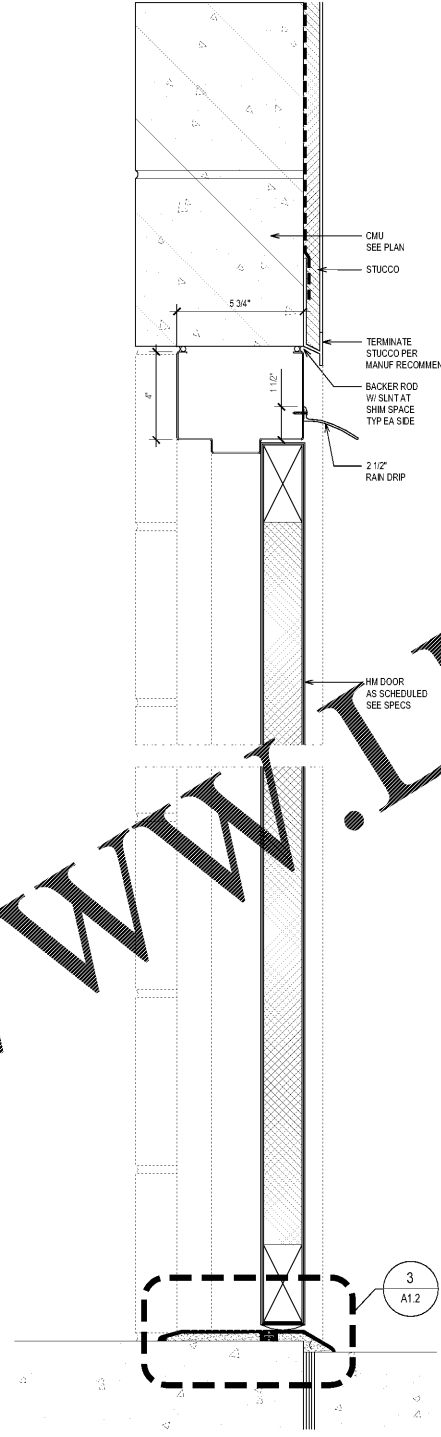
15 AWNING DTL 1 1/2" = 1'-0"



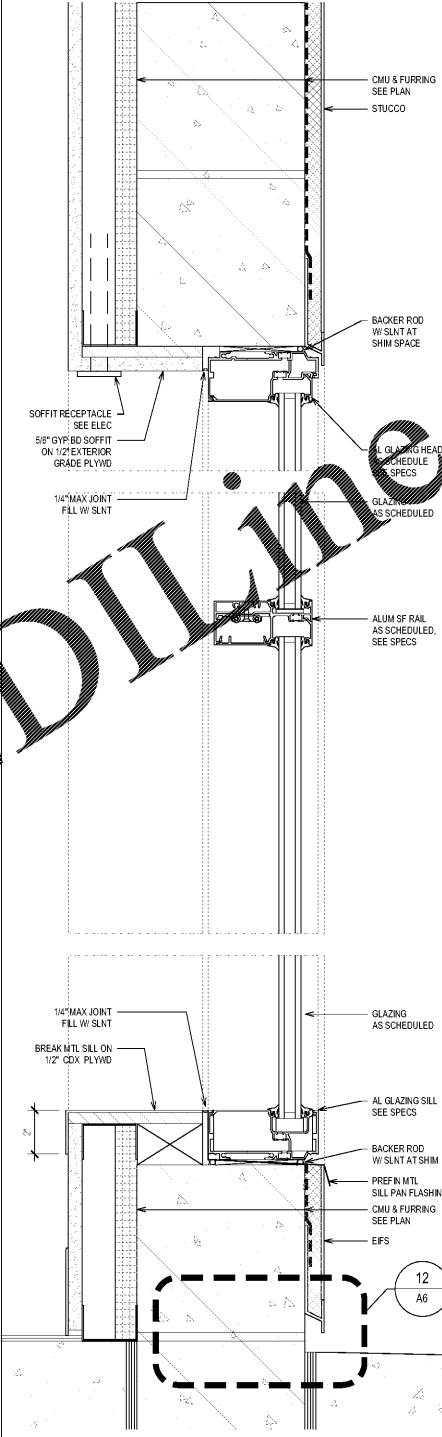
11 EIFS PROFILE DETAIL 1 1/2" = 1'-0"



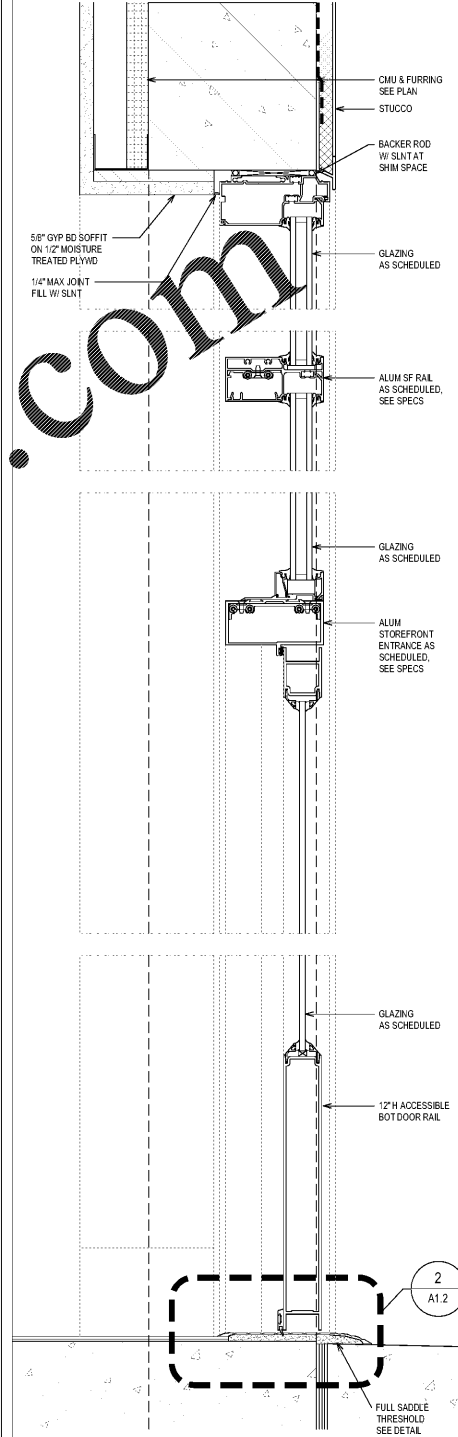
10 EIFS PROFILE DETAIL 1 1/2" = 1'-0"



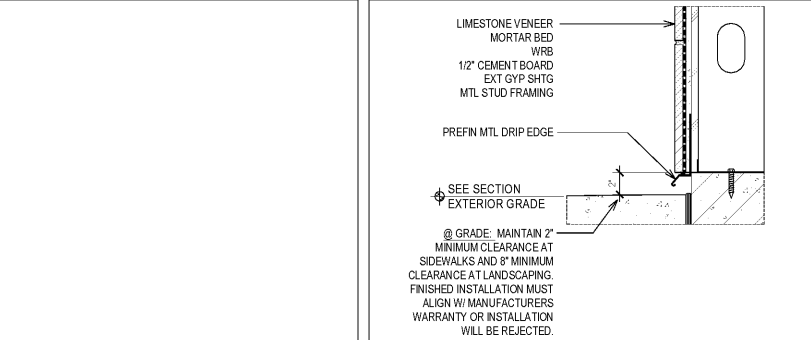
6 HM DOOR SECTION 3" = 1'-0"



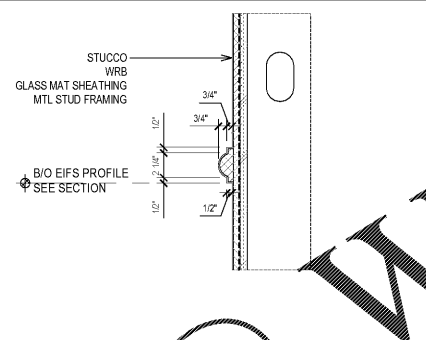
4 STOREFRONT GLAZING SECTION 3" = 1'-0"



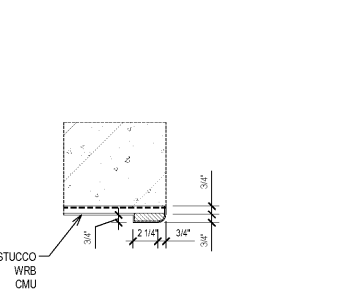
2 STOREFRONT ENTRANCE SECTION 3" = 1'-0"



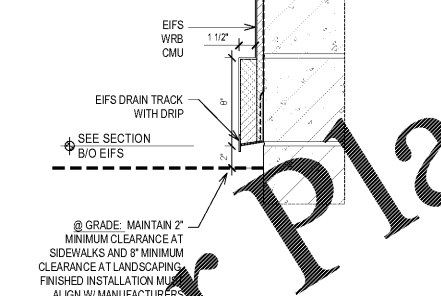
14 LIMESTONE BASE DTL 1 1/2" = 1'-0"



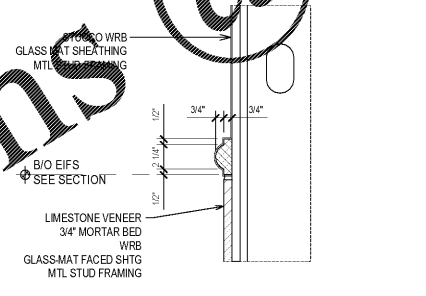
9 EIFS PROFILE DETAIL 1 1/2" = 1'-0"



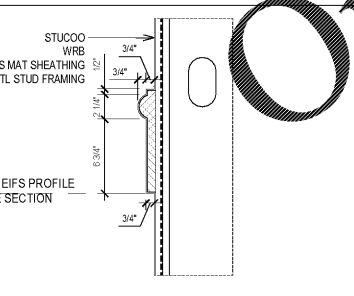
17 EIFS JAMB PROFILE DTL 1 1/2" = 1'-0"



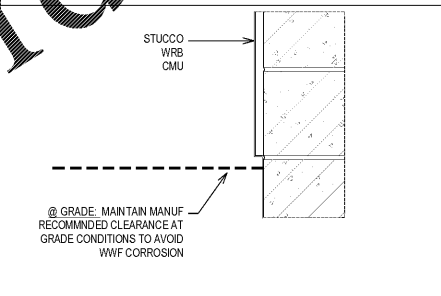
13 EIFS BASE PROFILE DTL 1 1/2" = 1'-0"



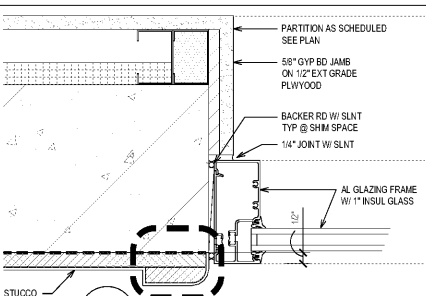
8 EIFS / LIMESTONE TRANSITION 1 1/2" = 1'-0"



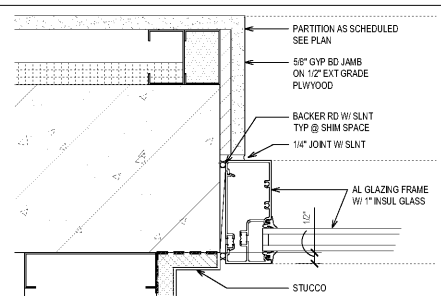
16 EIFS PROFILE DTL 1 1/2" = 1'-0"



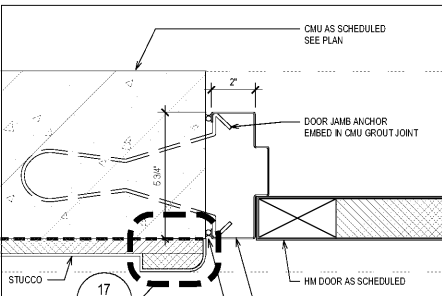
12 EIFS BASE DTL 1 1/2" = 1'-0"



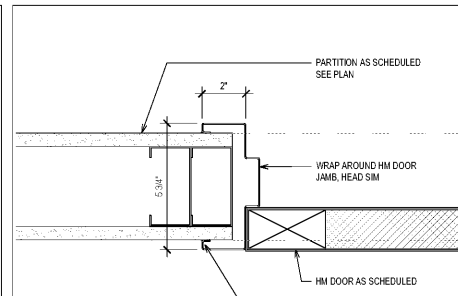
7 AL GLAZING JAMB DTL 3" = 1'-0"



5 AL GLAZING JAMB DTL 3" = 1'-0"



3 HM DOOR JAMB DTL 3" = 1'-0"



1 HM DOOR JAMB DTL 3" = 1'-0"

Order Plans @ WWW.LDILLINE.COM



15 Ninth Avenue North, Hopkins, MN 55343
Phone: 952.941.8890 / www.wilkusarch.com



4300 TBC WAY
PALM BEACH GARDENS, FL 33410

PROTOTYPE TEMPLATE:
"NORTHLAKE"
v. 2019.1.08
EXTERIOR MODIFIED FOR AHJ

PROJECT INFORMATION:

TIRE KINGDOM
STORE 937
SEC OF TAMiami TRAIL &
SUMTER CROSSING DRIVE
NORTH PORT, FLORIDA 34287

BID SET
01/10/2020

PROJECT NO.: 2018-1035
DRAWN BY: C.B.
CHECKED BY: EKB

ISSUE	DATE
PERMIT PLAN REVIEW	12-AUG-2019
BID SET	09-DEC-2019

REVISION	DATE
04 DESIGN UPDATES	20-DEC-2019

SHEET TITLE:
DETAILS

SHEET NUMBER:
A6