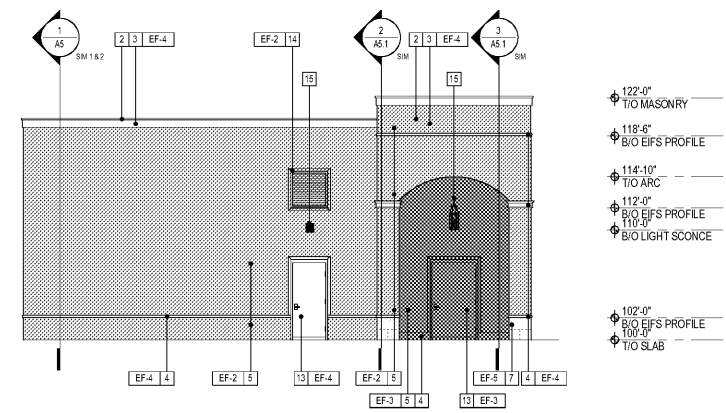
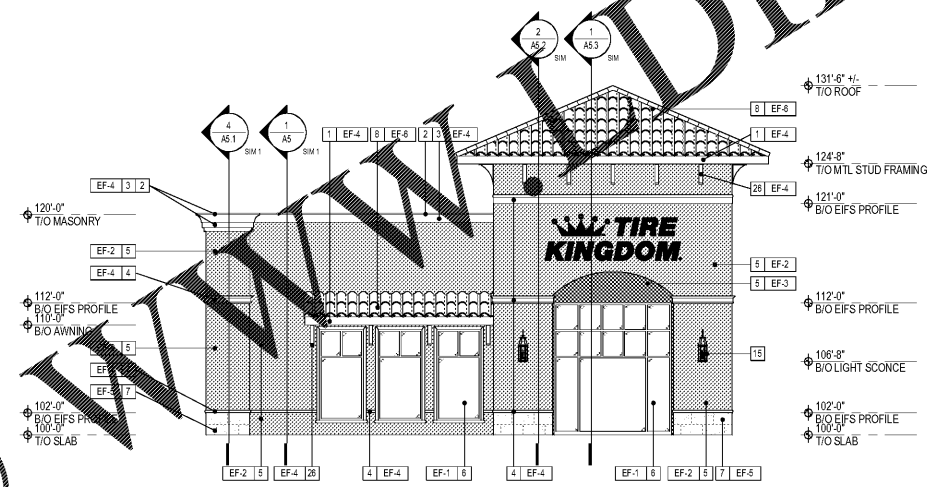


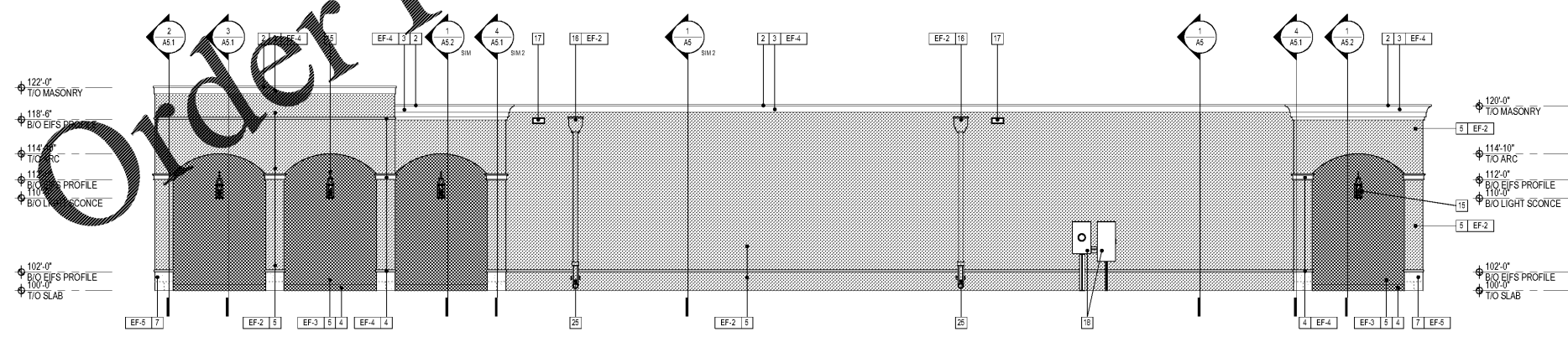
4 EXTERIOR ELEVATION - SOUTH
1/8" = 1'-0"



3 EXTERIOR ELEVATION
1/8" = 1'-0"



2 EXTERIOR ELEVATION - WEST
1/8" = 1'-0"



1 EXTERIOR ELEVATION - NORTH
1/8" = 1'-0"

EXTERIOR FINISHES

KEY	MATERIAL	COLOR	REMARKS
EF-1	METAL (ANODIZED)	DARK BRONZE ANODIZED	ALUMINUM
EF-2	PAINT	SW 6106 'KILIM BEIGE'	SATIN/SEMI-GLOSS
EF-3	PAINT	SW 6108 'LATTE'	SATIN/SEMI-GLOSS
EF-4	PAINT METAL	KYNAR 500 'SIERRA TAN' KYNAR 500 FLUOROCARBON 'BONE WHITE'	
EF-5	LIMESTONE	ARRISCRAFT THIN-GLAD RENAISSANCE LIMESTONE 12"H	
EF-6	CLAY TILE	BORAL 2-PIED MISSION TILE IN RED (NOA #17-1221.05)	

NOTES:
1. SIGNAGE SHOWN FOR REFERENCE ONLY.
2. COLOR SPECIFIED IS SHERWIN WILLIAMS PAINT.

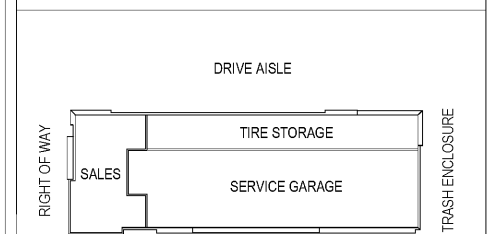
SYMBOLS LEGEND

GRAPHIC	DESCRIPTION	GRAPHIC	DESCRIPTION
[Pattern]	EF-1: GLAZING FRAMES	[Pattern]	EF-5: LIMESTONE
[Pattern]	EF-2: EIFS	[Pattern]	EF-6: CLAY TILE
[Pattern]	EF-3: EIFS PROFILE	[Pattern]	EF-7: NOT USED
[Pattern]	EF-4: CORNICE FASCIA SOFFIT EIFS PROFILE	[Pattern]	EF-8: NOT USED

KEYED NOTES

- KEY NOTE
FINISH MATERIAL
- METAL FASCIA, PRE-FINISHED.
 - METAL COPING & FLASHING, PRE-FINISHED.
 - EIFS CORNICE, PAINT.
 - EIFS PROFILE, PAINT.
 - EIFS FACADE, PAINT.
 - ANODIZED ALUM STOREFRONT W/ SAFETY GLAZING.
 - LIMESTONE.
 - CLAY TILE ROOFSYSTEM.
 - NOT USED.
 - OVERHEAD DOOR W/ EXHAUST PORT, PAINT.
 - SAFETY CHAIN BY OWNER.
 - NOT USED.
 - HM DOOR AND FRAME, PAINT.
 - VENTED EXHAUST LOUVER, PAINT.
 - EXTERIOR WALL MOUNTED LIGHTING.
 - PRIMARY SCUPPER & D.S., PRE-FINISHED. SEE SHT A3 FOR COLLECTOR HEAD AND DOWNSPOUT DETAILS.
 - OVERFLOW SCUPPER, PRE-FINISHED.
 - INCOMING ELECTRIC CABINET AND METER LOCATION. COORDINATE W/ ELEC. PAINT TO MATCH ADJACENT WHERE ALLOWED BY AHJ.
 - VENTED EXHAUST LOUVER, PAINT.
 - EXTERIOR WALL MOUNTED LIGHTING. SHOW FOR REFERENCE ONLY. SIGN VENDOR TO INSTALL UNDER SEPARATE PERMIT. GC TO PROVIDE EXTERIOR GRADE PLYWOOD SUBSTRATE OR SHEATHING AT ALL SIGN LOCATIONS.
 - CAST-IRON DOWNSPOUT BOOT W/ ABOVE GROUND DISCHARGE (JR HOE & SONS A-SERIES OR EQ)
 - CORBEL, PAINT.

KEY PLAN



CONSULTANT:
WILKUS ARCHITECTS
15 Ninth Avenue North, Hopkins, MN 55343
Phone: 952.941.8900 / www.wilkusarch.com
FLORIDA BOARD OF ARCHITECTS
CERTIFICATE OF AUTHORIZATION
RAA2602830 EXPIRES 02/28/21

CLIENT:
TBC CORPORATION
4300 TBC WAY
PALM BEACH GARDENS, FL 33410

PROJECT INFORMATION:
PROTOTYPE TEMPLATE:
**"NORTHLAKE"
8 BAY INLINE**
v.2019.1.08
EXTERIOR MODIFIED FOR AHJ

TIRE KINGDOM
STORE 937
SEC OF TAMiami TRAIL &
SUMTER CROSSING DRIVE
NORTH PORT, FLORIDA 34287

BID SET
01/10/2020

PROJECT NO.: 2018-1035
DRAWN BY: C.B.
CHECKED BY: EKB

ISSUE	DATE
PERMIT PLAN REVIEW	12-AUG-2019
BID SET	09-DEC-2019

REVISION	DATE
02 AHJ PRCN #1	06-NOV-2019
04 DESIGN UPDATES	20-DEC-2019

SHEET TITLE:
EXTERIOR ELEVATIONS

SHEET NUMBER:
A4