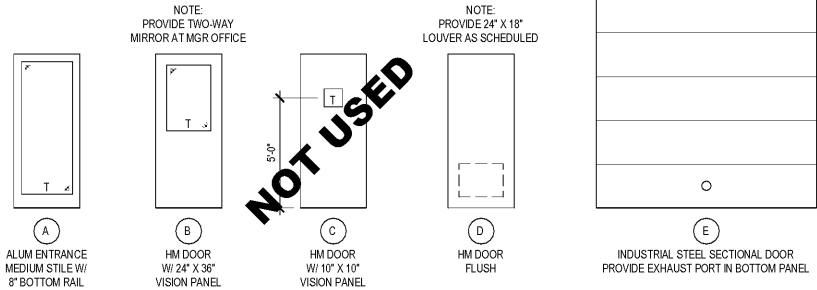
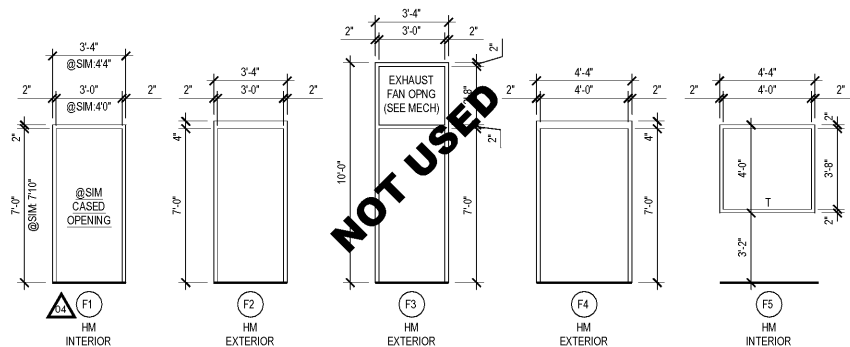


DOOR TYPES



FRAME TYPES



DOOR SCHEDULE

| NUMBER | SIZE | | TYPE | MATERIAL | FRAME | | HARDWARE | FIRE | RATING | REMARKS |
|--------|--------|--------|--------|----------|--------|----------|----------|------|---------|---------|
| | W | H | | | TYPE | MATERIAL | | | | |
| 101 | 3'-0" | 7'-0" | A | AL/GL | G1 | AL | 2 | - | 2.5 | |
| 102 | 3'-0" | 7'-0" | B | HM/GL | F1 | HM | 4B | - | 2 | |
| 103A | 3'-0" | 7'-0" | D | HM | F1 | HM | 4C | - | 2 | |
| 103B | 3'-0" | 7'-0" | D | HM | F1 | HM | 4 | - | 2 | |
| 104 | 3'-0" | 7'-0" | D | HM | F1 | HM | 4A | - | 2 | |
| 105 | 3'-0" | 7'-0" | D | HM | F1 | HM | 4A | - | 2 | |
| 106 | 3'-0" | 7'-0" | B | HM/GL | F1 | HM | 5B | - | 2 | |
| 108A | 3'-0" | 7'-0" | A | AL/GL | G4 | AL | - | - | 2.7 | |
| 108B | 3'-0" | 7'-0" | D | HM | F2 | HM | 3 | - | 2.4,5.6 | |
| 108C | 3'-0" | 7'-0" | D | HM | F2 | HM | 3 | - | 2.4,5.6 | |
| 109 | 4'-0" | 7'-0" | D | HM | F4 | HM | 3 | - | 2.4,5.6 | |
| 110 | - | - | - | - | F1 SIM | HM | - | - | 8 | |
| 111 | - | - | - | - | F1 SIM | HM | - | - | 8 | |
| 112 | - | - | - | - | F1 SIM | HM | - | - | 8 | |
| OH1 | 10'-0" | 12'-0" | E | STL | - | - | 1 | - | 2.3,6 | |
| OH2 | 10'-0" | 12'-0" | E | STL | - | - | 1 | - | 2.3,6 | |
| OH3 | 10'-0" | 12'-0" | E | STL | - | - | 1 | - | 2.3,6 | |
| OH4 | 10'-0" | 12'-0" | E | STL | - | - | 1 | - | 2.3,6 | |
| OH5 | 10'-0" | 12'-0" | E | STL | - | - | 1 | - | 2.3,6 | |
| OH6 | 10'-0" | 12'-0" | E | STL | - | - | 1 | - | 2.3,6 | |
| OH7 | 10'-0" | 12'-0" | E | STL | - | - | 1 | - | 2.3,6 | |
| OH8 | 10'-0" | 12'-0" | E | STL | - | - | 1 | - | 2.3,6 | |
| ROOF | 2'-6" | 3'-0" | TYPE S | UTL | - | - | 1 | - | 3 | |

DOOR SCHEDULE REMARKS

- RATED DOORS SHALL DISPLAY THE ASSOCIATED UL LISTING LABEL.
- DOOR / GLAZING PROVIDED AND INSTALLED BY GC.
- GC TO PROVIDE PADLOCK HASP.
- ALL EXTERIOR HM DOORS AND FRAMES SHALL BE PAINTED PT-3 ON THE INTERIOR SURFACE.
- METAL THRESHOLD FOR PERIMETER WALL EXTERIOR DOORS SHALL BE ALUMINUM STORMPROOF.
- IN WIND-BORNE DEBRIS REGIONS AND HIGH VELOCITY HURRICANE ZONES, DOORS SHALL NOT CONTAIN VIEW WINDOWS.
- DOOR HARDWARE BY STOREFRONT SYSTEM SUPPLIER.
- @ SIM: KD WRAP-AROUND FRAME FOR CASED OPENING (NO DOOR STOPS REQUIRED).

GENERAL DOOR AND HARDWARE NOTES

- ALL EXIT DOORS SHALL BE OPENABLE FROM THE INSIDE WITHOUT THE USE OF A KEY OR SPECIAL KNOWLEDGE AND EFFORT.
- PROVIDE LEVER-TYPE HANDLES OR AN EMERGENCY RELEASE BAR PER SCHEDULE. NO EXCEPTIONS TAKEN. ALL ALTERNATES MUST BE APPROVED IN WRITING BY ARCHITECT.
- MANUALLY OPERATED FLUSH BOLTS OR SURFACE BOLTS ARE NOT PERMITTED ON REQUIRED EXTERIOR DOORS.
- ALL HAND ACTIVATED DOOR HARDWARE SHALL BE INSTALLED BETWEEN 34" AND 44" ABOVE THE FINISHED FLOOR.
- ALL RATED AND RATED HARDWARE SHALL POSSESS AND DISPLAY THE MANUFACTURER'S RATING LABEL.
- ALL HINGES AND/OR CLOSERS SHALL BE ADJUSTED TO ENSURE THE CAPABILITY TO OPERATE THE DOOR WITH LESS THAN 5 LBS OF PUSH/PULL EFFORT FOR INTERIOR DOORS AND 15 LBS OF PUSH/PULL EFFORT OF EXTERIOR DOORS.
- PROVIDE SAFETY GLAZING AS PER IBC 2406 (OR LOCAL REQUIREMENTS).
- ALL OPENINGS SHALL BE FIELD VERIFIED PRIOR TO PURCHASE AND INSTALLATION.
- GC SHALL PROVIDE TEMPORARY CORES DURING CONSTRUCTION THROUGH TURNOUT. ALL TEMPORARY CORES AND CYLINDERS SHALL REMAIN THE PROPERTY OF THE TENANT.
- REKEY ALL DOORS AND PANO DEVICES AT TURNOUT TO MASTER KEY SYSTEM (SCHEDULED LOCKING SYSTEM W/ INTERCHANGEABLE CORES). PROVIDE A MINIMUM OF TWO MASTER KEYS TO TENANT. VERIFY ACTUAL NUMBER IN EXCESS OF 6 PRIOR TO TURNOUT.
- PROVIDE DOOR, FRAME, AND HARDWARE SHOP SUBMITTALS FOR REVIEW PRIOR TO PURCHASE AND INSTALLATION.
- PROVIDE ALL HARDWARE AS SCHEDULED. NO EXCEPTIONS. IN WRITING PRIOR WRITTEN APPROVAL BY ARCHITECT AND TENANT.
- ALL HARDWARE, THRESHOLD AND SIGNAGE SHALL BE COMPLIANT WITH LOCAL ACCESSIBILITY CODES.

HARDWARE GROUPS

[613] = US10B = DARK OXIDIZED OIL RUBBED BRONZE, SATIN FINISH
 [626] = US26D = CHROMIUM PLATED, SATIN FINISH
 [628] = US28 = ANODIZED ALUMINUM, CLEAR SATIN FINISH

GROUP 1 OVERHEAD DOORS / ROOF ACCESS
 KEY CYLINDER(S) (1) SCHLAGE 80-037 7-PIN INTERCHANGEABLE CORE [626]
 (1) SCHLAGE 80-035 GRN CONSTRUCTION CORE
 (1) FALCON K54F1200 REMAINING HARDWARE BY DOOR SUPPLIER

GROUP 2 STOREFRONT
 DOOR TYPE (1) PAIR KAWNEER 350 SINGLEACTING W/ 8" BOTTOM RAIL
 EXIT DEVICE (2) KAWNEER PANELINE W/ CPN PULL
 KEY CYLINDER(S) (2) SCHLAGE 80-103 MORTISE CYLINDER [613]
 (2) SCHLAGE 80-037 7-PIN INTERCHANGEABLE CORE [613]
 (2) KAWNEER CONTINUOUS GEARED HINGE
 (2) LCN 4111-AVB-SHCUSH (MUST HAVE BACK-CHECK)

HINGES CLOSER (1) ADA COMPLIANT OFFSET SADDLE W/ THERMAL BREAK
 THRESHOLD OTHER REMAINING HARDWARE BY DOOR SUPPLIER

GROUP 3 EXTERIOR EXIT
 PANO DEVICE (1) VON DUFURN XP98L-NL-06 [626]
 KEY CYLINDER(S) (1) SCHLAGE 80-102 MORTISE CYLINDER [613]
 (1) SCHLAGE 80-037 7-PIN INTERCHANGEABLE CORE [626]
 (1) SCHLAGE 80-035 GRN CONSTRUCTION CORE

HINGES (3) HAGER 4 1/2" X 4 1/2" NON-REMOVABLE PN [626]
 A. HAGER B31279 NRP 3" DOOR STANDARD
 B. HAGER WTB1279 NRP 4" DOOR WIDE-THROW

CLOSER (1) LCN 4040X-P-CUSH-TBSRT [626]
 PROTECTION PL (1) HAGER 190S ARMOR PLATE 30"H [628]
 THRESHOLD (1) OFFSET SADDLE W/ THERMAL BREAK

WEATHERSTRIP (1) NGP 170NA
 SWEEP (1) NGP 102VA
 RAIN DRIP (1) NGP 16A

GROUP 4 INTERIOR LATCH W/ CLOSERS
 LOCKSET (1) FALCON T-SEAL W/ DAMPENER
 A. F111 ENVIRONMENTAL
 B. F111 STOREROOM
 C. F111 PRIVACY 104 J&S

KEY CYLINDER(S) (1) SCHLAGE 80-037 7-PIN INTERCHANGEABLE CORE [626]
 (1) SCHLAGE 80-035 GRN CONSTRUCTION CORE
 (3) HAGER B61279 [626]
 (1) LCN 4031-LD-PA-TBIMS [626]

HINGES (1) HAGER 307D
 CLOSER (1) HAGER 190S KICKPLATE 10X34" [628]
 PROTECTION PL (1) HAGER 242F DOME STOP
 DOOR STOP A. HAGER 368U-W3 ADA TACTILE SIGN - UNISEX
 OPTIONS B. NGP-L-FRA 100 LITE KIT
 C. NGP-L-700-RX LOUVER

GROUP 5 INTERIOR PUSH/PULL W/ CLOSER
 PUSH PLATE (1) HAGER 30S 4X16" [626]
 DOOR PULL/PLATE (3) HAGER B61279 [626]
 HINGES (1) LCN 4031-LD-PA-TBIMS [626]
 CLOSER (1) HAGER 307D
 SILENCER (1) HAGER 307D
 PROTECTION PL (2) HAGER 190S ARMOR PLATE 10X34" [628]
 DOOR STOP (2) HAGER 242F DOME STOP [626]
 WEATHERSTRIP (1) NGP 170NA
 SWEEP (1) NGP 102VA
 OPTIONS A. HAGER B31279 NRP WALL GUARD
 B. NGP-L-FRA 100 LITE KIT
 C. REESE 480A RAMP THRESHOLD

GLAZING SCHEDULE

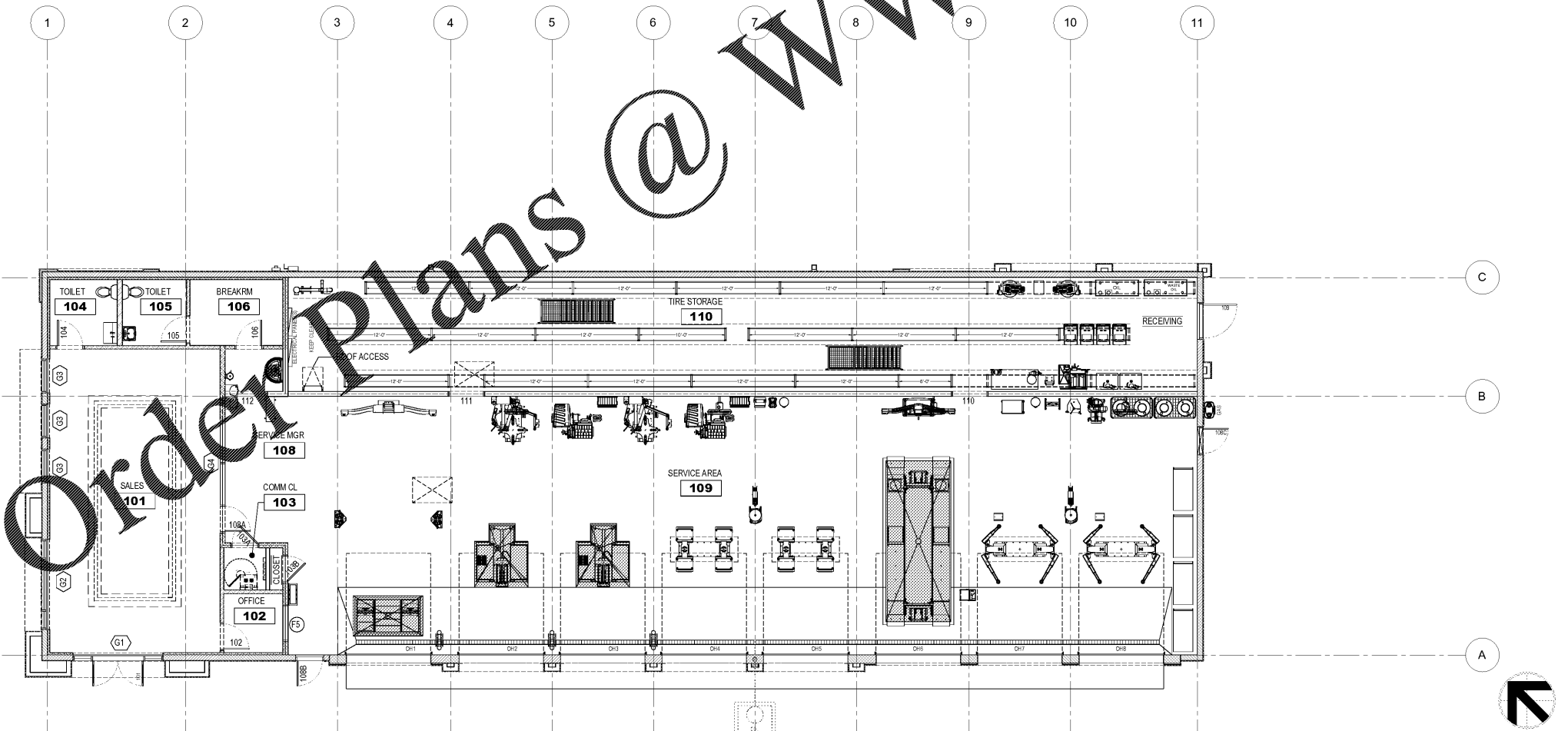
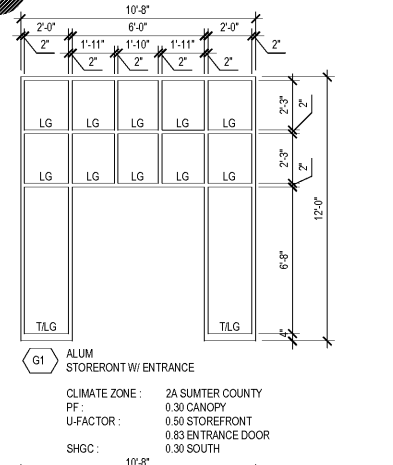
| TYPE | ROOM | SIZE (WxHxD) | FRAME | GLAZING | REMARKS |
|------|----------------------|------------------------|-------|----------|---------|
| F5 | 102 OFFICE | 4'-4" X 4'-0" X 4" | HM | 1/4" | 2,3 |
| G1 | 101 SALES - ENTRANCE | 10'-8" X 12'-0" X 4.5" | AL | 1" INSUL | 1 |
| G2 | 101 SALES | 10'-8" X 12'-0" X 4.5" | AL | 1" INSUL | 1 |
| G3 | 101 SALES | 4'-0" X 8'-4" X 4.5" | AL | 1" INSUL | 1 |
| G4 | 101 SALES | 13'-5" X 10'-0" X 4.5" | AL | 1/2" | |

1. LAMINATED GLAZING REQUIRED IN WIND-BORNE DEBRIS ZONES.
 2. PAINT FRAME PT-3.
 3. PROVIDE 2-WAY MIRROR FILM IN OFFICE

GENERAL GLAZING NOTES

- SEE SPECIFICATIONS FOR GLAZING REQUIREMENTS.
- ALL EXTERIOR GLAZING SHALL BE LOW-E 1" INSULATED AND FULLY TEMPERED GLAZING, U N O.
- ALL INTERIOR GLAZING SHALL BE 1/4" FLOAT OR PLATE GLASS, U N O.
- IN WIND-BORNE DEBRIS REGIONS AND/OR HIGH-VELOCITY HURRICANE ZONES, ALL EXTERIOR GLAZING SHALL BE LARGE MISSILE IMPACT RESISTANT PER SECTION 1609.1.2 AND DESIGNED FOR THE BUILDING RISK CATEGORY, EXPOSURE CATEGORY, AND WINDZONE DESIGN. LAMINATED SAFETY GLAZING SHALL BE PROVIDED AS SHOWN.
- ABBREVIATIONS
 T = TEMPERED GLAZING
 LG = LAMINATED GLAZING ON EXTERIOR SURFACE
 WLG = TEMPERED GLAZING ON INTERIOR SURFACE
 SPGL = SPACED GLAZING
 F = FIRE-RESISTIVE GLAZING

GLAZING FRAMES



1 DOORS AND GLAZING PLAN
 OPENINGS PLAN & SCHEDULES
 1/8" = 1'-0"

WILKUS ARCHITECTS

15 Ninth Avenue North, Hopkins, MN 55343
 Phone: 952.941.8890 / www.wilkusarch.com

FLORIDA BOARD OF ARCHITECTS
 CERTIFICATE OF AUTHORIZATION
 1AA26033630 EXPIRES 02/28/21

TBC CORPORATION

4300 TBC WAY
 PALM BEACH GARDENS, FL 33410

PROTOTYPE TEMPLATE:
"NORTHLAKE" 8 BAY INLINE
 v.2019.1.08
 EXTERIOR MODIFIED FOR AHJ

TIRE KINGDOM
 STORE 937
 SEC OF TAMiami TRAIL &
 SUMTER CROSSING DRIVE
 NORTH PORT, FLORIDA 34287

BID SET
 01/10/2020

PROJECT NO.: 2018-1035
 DRAWN BY: C.B.
 CHECKED BY: EKB

ISSUE DATE
 PERMIT PLAN REVIEW 12-AUG-2019
 BID SET 09-DEC-2019

REVISION DATE
 04 DESIGN UPDATES 20-DEC-2019

SHEET TITLE:
DOORS AND GLAZING PLAN

SHEET NUMBER:
A1.1