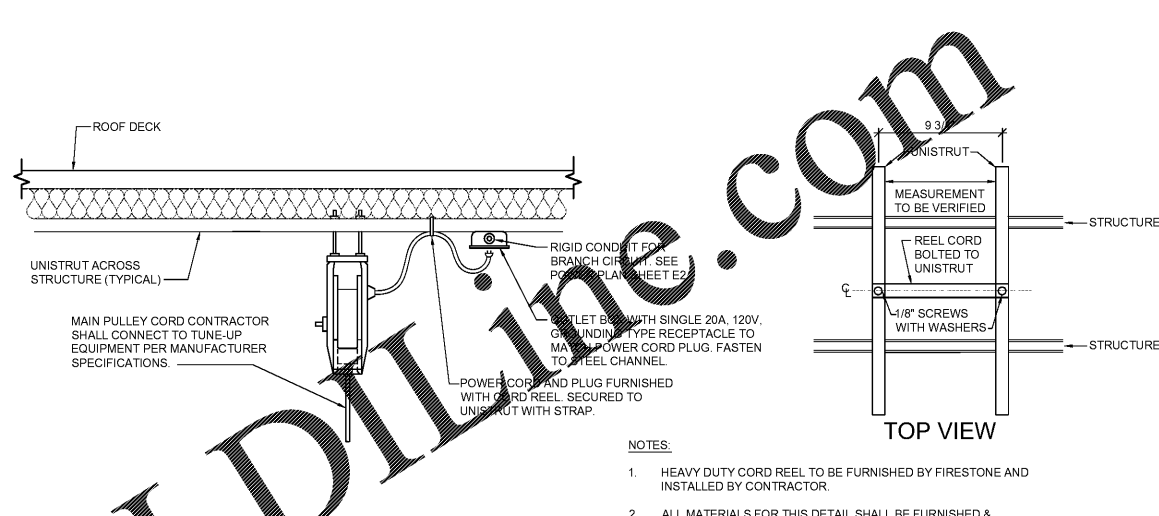


TOP VIEW

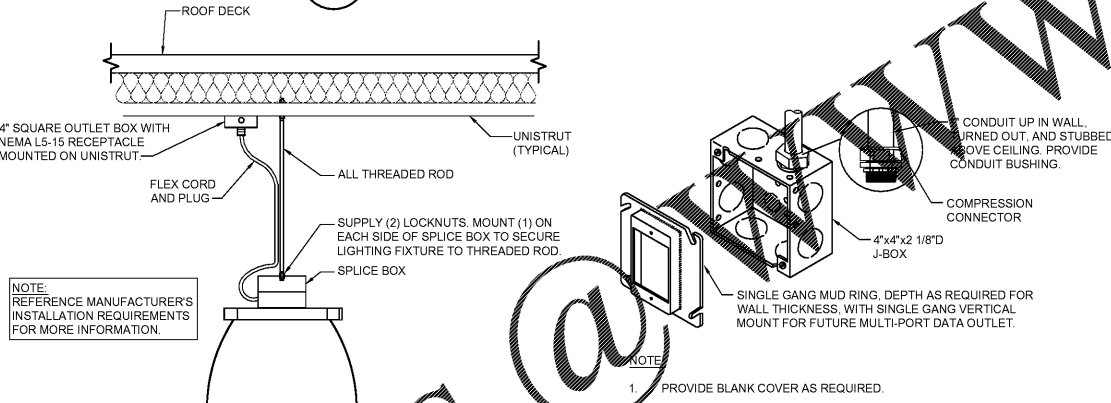
NOTES:

1. CORD REEL LIGHT TO BE FURNISHED BY FIRESTONE AND INSTALLED BY CONTRACTOR.
2. WHEREVER OTHER CEILING CONDITIONS EXIST, CONTRACTOR SHALL ADAPT ANOTHER APPROVED METHOD OF SECURING CORD REEL LIGHT TO CEILING TRUSS.
3. LIGHT REEL SET PINS TO BE REPLACED WITH THREADED BOLTS AND HARDWARE.



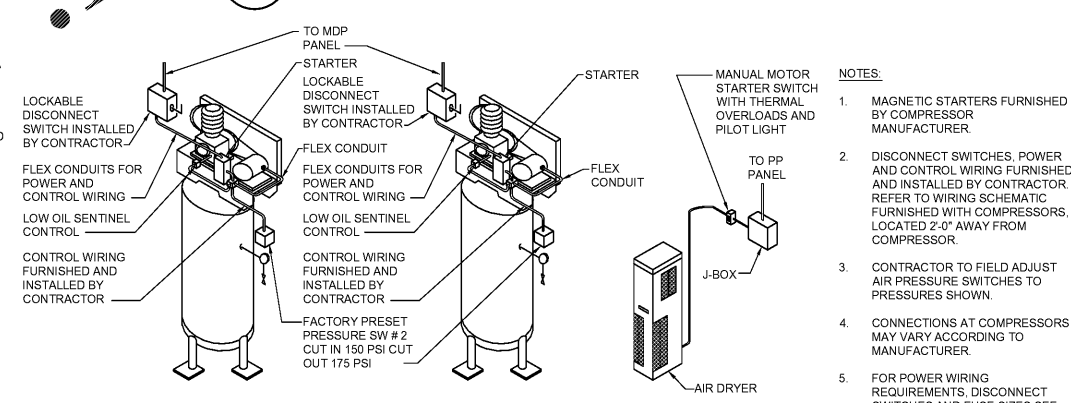
1 CORD REEL LIGHT DETAIL
E4 SCALE: NONE

2 HEAVY DUTY CORD REEL DETAIL
E4 SCALE: NONE

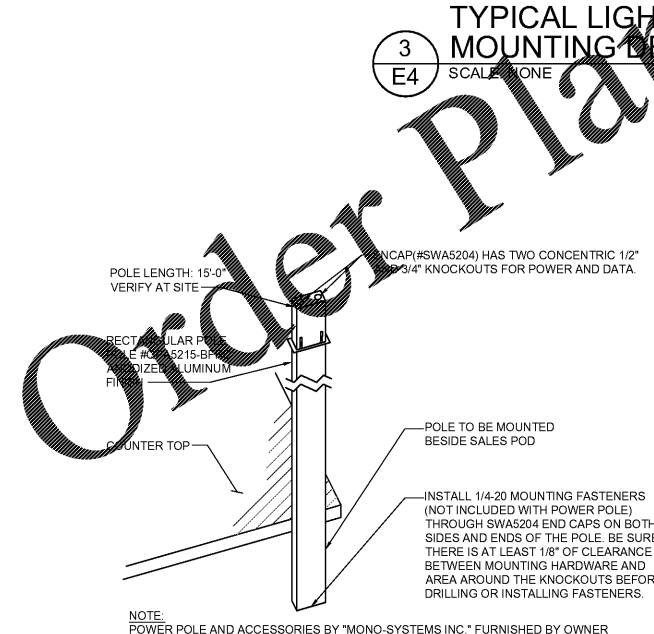


3 TYPICAL LIGHT TYPE "F" MOUNTING DETAIL
E4 SCALE: NONE

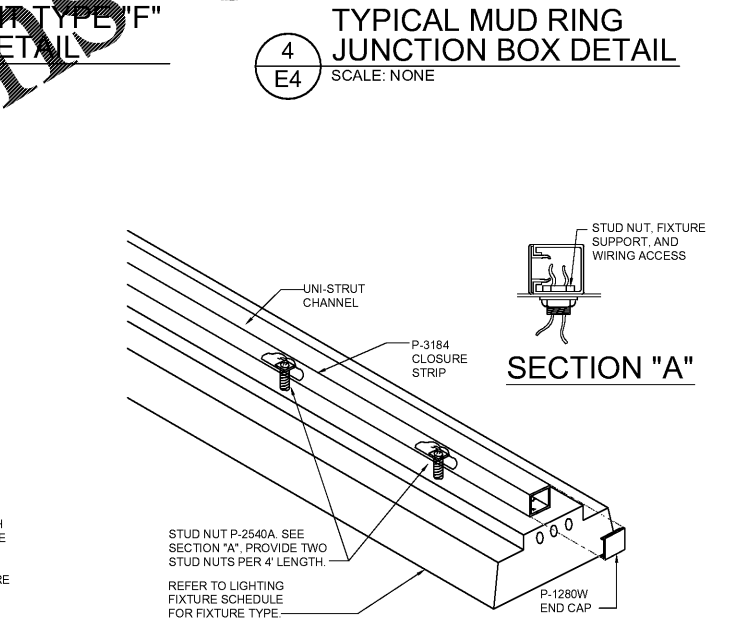
4 TYPICAL MUD RING JUNCTION BOX DETAIL
E4 SCALE: NONE



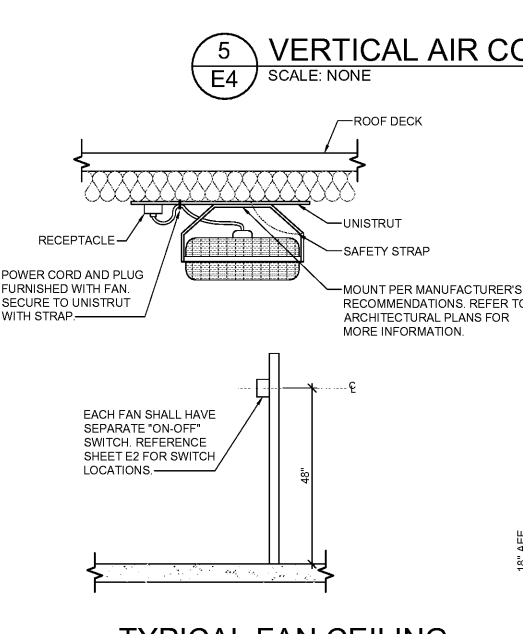
5 VERTICAL AIR COMPRESSOR DETAIL
E4 SCALE: NONE



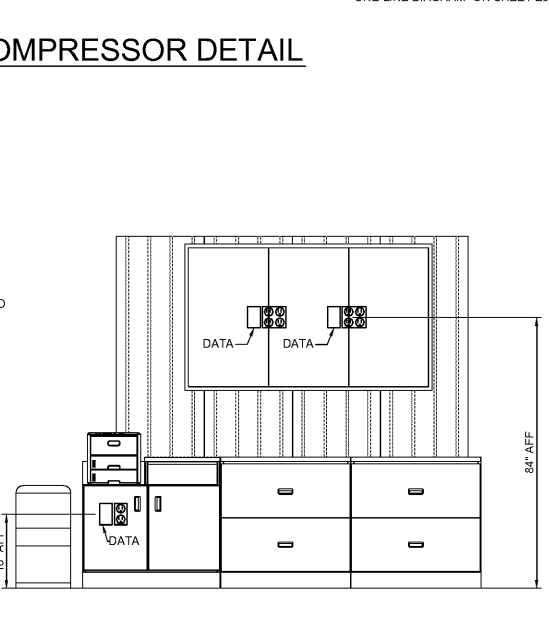
6 DATA/POWER POLE DETAIL
E4 SCALE: NONE



7 TYPICAL LIGHT FIXTURE MOUNTING DETAIL
E4 SCALE: NONE



8 TYPICAL FAN CEILING MOUNTING DETAIL
E4 SCALE: NONE

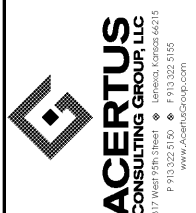


9 DISPLAY SCREENS DETAIL
E4 SCALE: NONE

Order Plans

WWW.LDILLING.COM

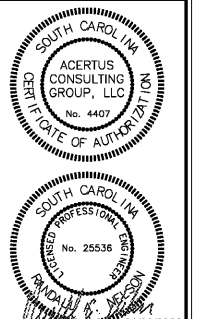
Jan 03, 2020 - 9:39am - USER: AccroAngel
C:\Bridgestone-Firestone (Engineering)\19203387 BSRO - Cone Box, SC\Sheets\E4 ELECTRICAL DETAILS.dwg



14817 West 15th Street
P 913.322.5150 F 913.322.5155
www.acertusgroup.com

Firestone
COMPLETE AUTO CARE

NEW FCAC STORE
2020 ER
1762 STATE RD
SUMMERVILLE, SC



ISSUE BLOCK	
01/06/20	REV #1

PROPERTY NO.:	317910
6 DIGIT NO.:	798862
4 DIGIT NO.:	013K
AOR PROJECT NUMBER:	1955867
TO PERMIT DATE:	12-20-19
TO BID DATE:	##-##-##

SHEET TITLE:
ELECTRICAL DETAILS

SHEET NUMBER:
E4