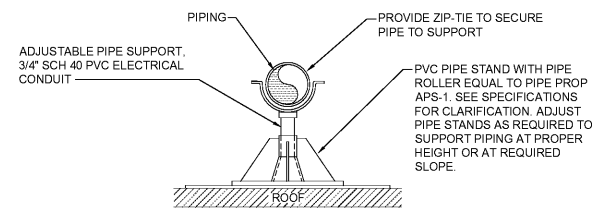
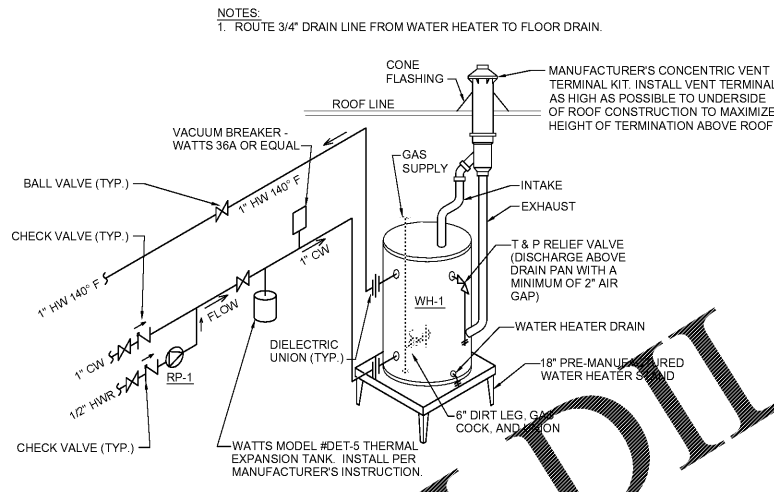


**1**  
P5  
TRAP PRIMER DETAIL (TP-1)  
SCALE: N.T.S.

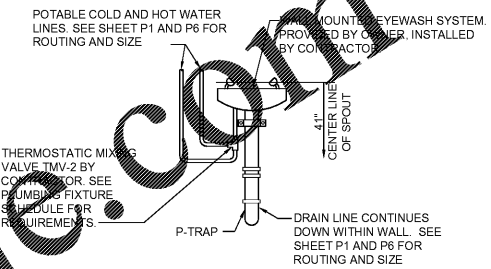


MAXIMUM SPACING FOR PIPE SUPPORTS	
HORIZONTAL PIPING	SUPPORT SPACING (FEET)
3/4" TO 1-1/4"	2

**2**  
P5  
ROOF MOUNTED PIPING  
SUPPORT DETAIL  
SCALE: N.T.S.

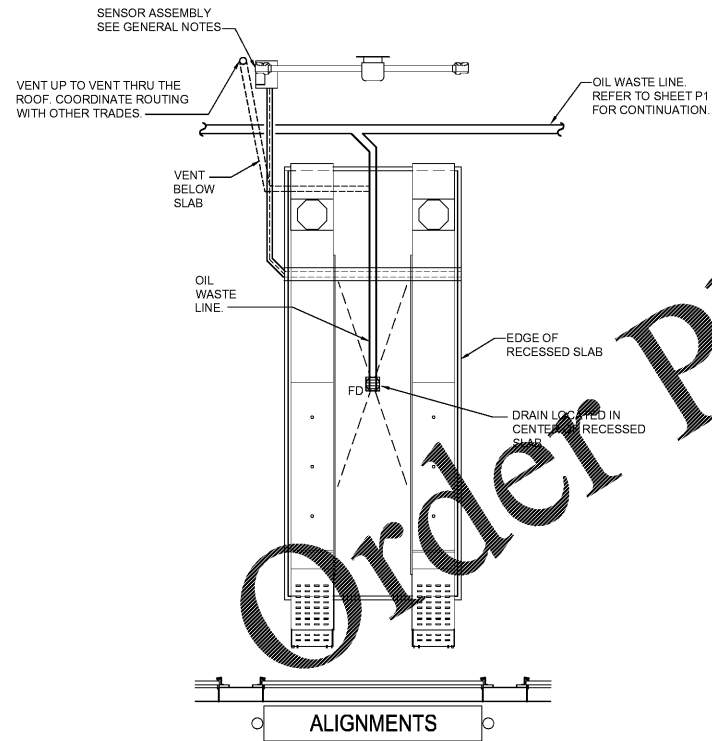


**3**  
P5  
GAS FIRED WATER  
HEATER PIPING DETAIL  
SCALE: N.T.S.

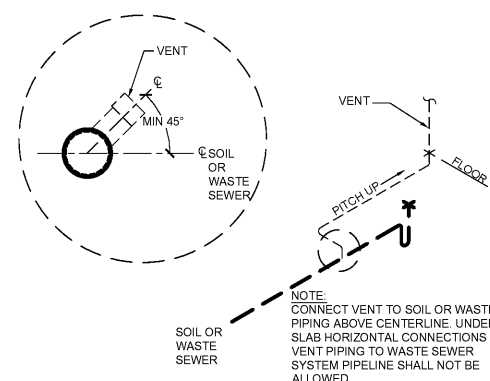


**4**  
P5  
EYEWASH PIPING DETAIL  
SCALE: N.T.S.

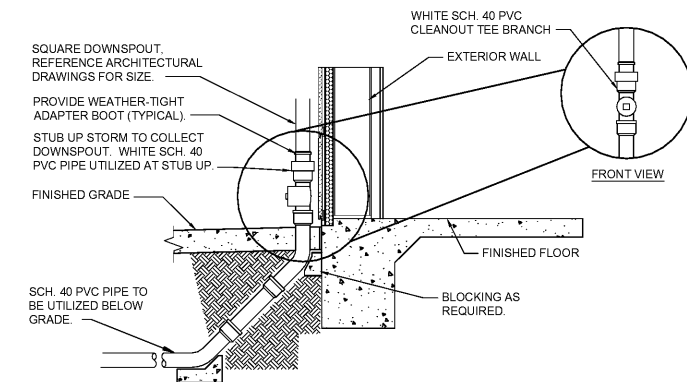
**NOTE:**  
DETAILS SHOWN HERE ARE DIAGRAMMATICAL ONLY AND ARE NOT INTENDED TO SHOW EVERY FITTING AND/OR OFFSET. SEE MANUFACTURER'S SPECIFIC INSTALLATION INSTRUCTIONS AND DETAILS. INSTALLATION CONTRACTOR IS TO BE CERTIFIED AND AUTHORIZED BY THE MANUFACTURER.



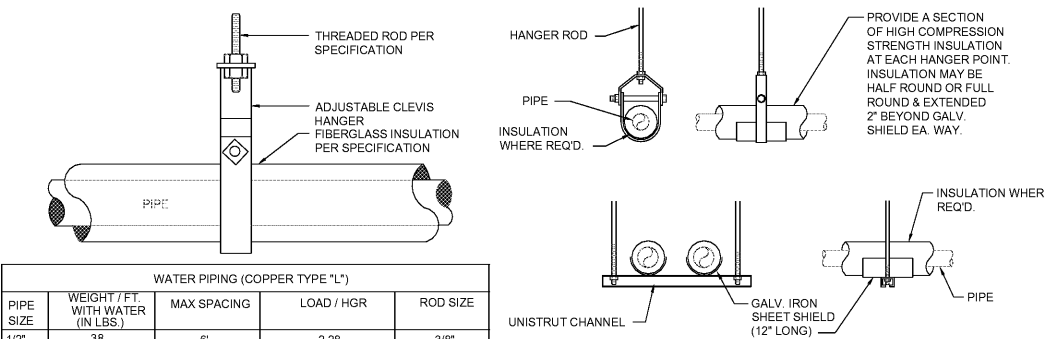
**6**  
P5  
ALIGNMENT RACK PIPING DETAIL  
SCALE: N.T.S.



**7**  
P5  
VENT PIPING INSTALLATION  
SCALE: N.T.S.



**5**  
P5  
DOWNSPOUT SHOE INSTALLATION  
SCALE: N.T.S.



WATER PIPING (COPPER TYPE 'L')				
PIPE SIZE	WEIGHT / FT. WITH WATER (IN LBS.)	MAX SPACING	LOAD / HGR	ROD SIZE
1/2"	38	6'	2.28	3/8"
3/4"	66	6'	3.96	3/8"
1"	1.04	6'	6.24	3/8"
1-1/4"	1.43	6'	8.58	3/8"
1-1/2"	1.92	6'	19.2	3/8"
2"	3.09	10'	30.8	3/8"
2-1/2"	4.52	10'	45.2	3/8"

**8**  
P5  
PIPE SUPPORT DETAIL  
SCALE: N.T.S.

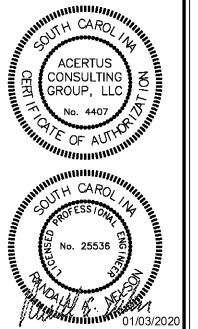
Jan 03, 2020 - 9:40am - USER: AccroAngel  
 G:\Bridgestone-Firestone (Engineering)\1920387\_BSR0 - Cone Box\_SCA\_Sheets\P5 PLUMBING DETAILS.dwg

Order Plans @ www.LDILine.com



REPRODUCTION OF THIS DRAWING IS PROHIBITED WITHOUT THE WRITTEN PERMISSION OF ACERTUS CONSULTING GROUP, LLC. THIS DRAWING IS THE PROPERTY OF ACERTUS CONSULTING GROUP, LLC AND IS NOT TO BE REPRODUCED OR TRANSMITTED IN ANY FORM OR BY ANY MEANS, ELECTRONIC OR MECHANICAL, INCLUDING PHOTOCOPYING, RECORDING, OR BY ANY INFORMATION STORAGE AND RETRIEVAL SYSTEM.

**NEW FCAC STORE**  
 2020 ER  
 1762 STATE RD  
 SUMMERVILLE, SC



ISSUE BLOCK	
01/06/20	REV #1
PROPERTY NO.:	317910
6 DIGIT NO.:	798862
4 DIGIT NO.:	013K
AOR PROJECT NUMBER:	1955867
TO PERMIT DATE:	12-20-19
TO BID DATE:	##-##-##
SHEET TITLE:	
PLUMBING DETAILS	
SHEET NUMBER:	
<b>P5</b>	