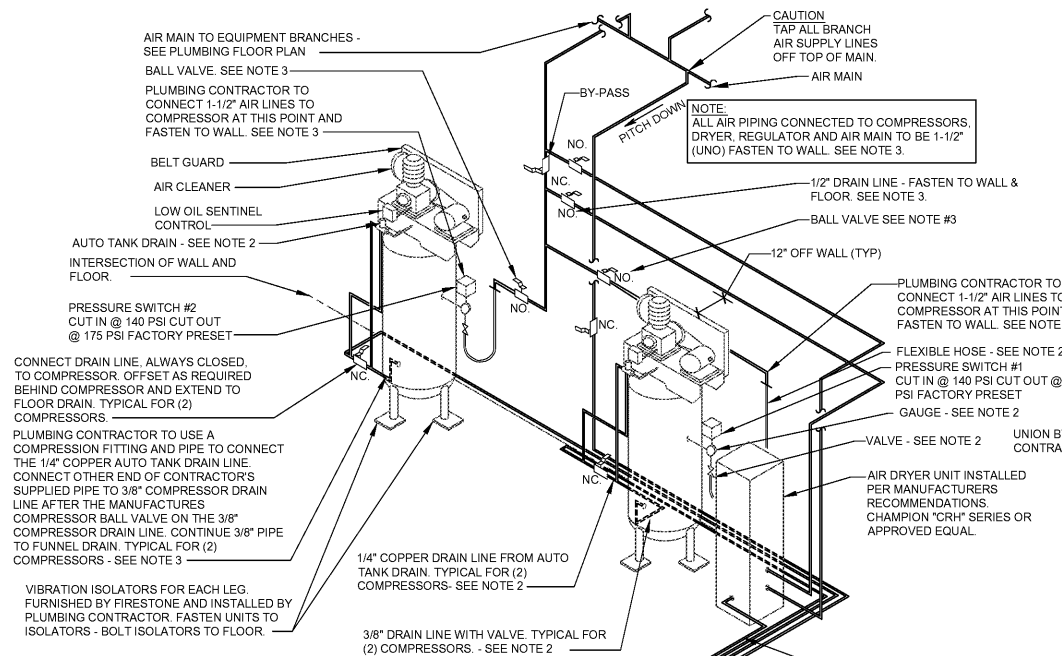
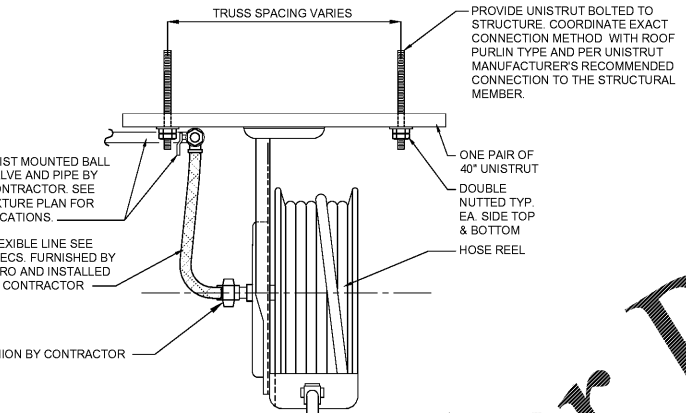


Jan 03, 2020 - 9:40am - USER: Acertus\angel
 C:\Bridgestone-Firestone (Engineering)\19203387 BSRO - Come Boy, SC\Sheets\P3 AIR PIPING PLAN AND NOTES.dwg



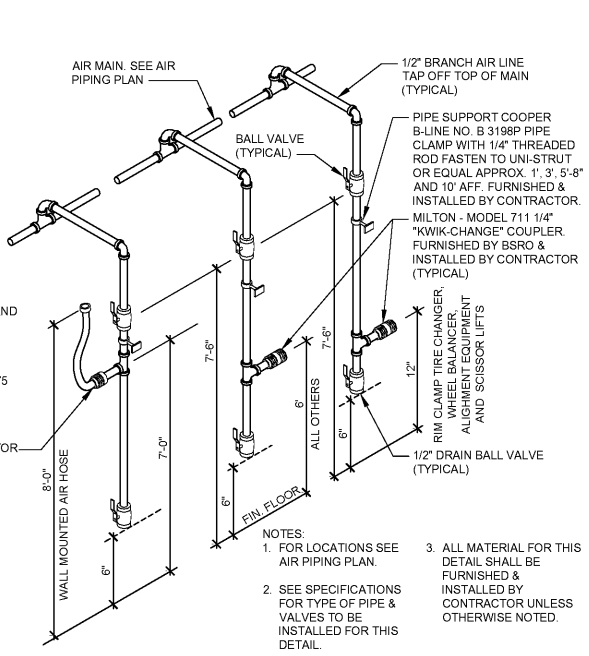
- AIR PIPING DETAIL NOTES:**
- SEE PLUMBING PLAN FOR LOCATION OF COMPRESSORS, PIPE SIZES AND EQUIPMENT LOCATIONS.
 - PRESSURE SWITCHES, GAUGES, VALVES & UNIONS ARE CONNECTED TO THE COMPRESSOR BY THE MANUFACTURER. PLUMBING CONTRACTOR TO INSTALL FLEXIBLE HOSES, FURNISHED BY THE COMPRESSOR MANUFACTURER, TO 1-1/2" PIPE.
 - SEE SPECIFICATIONS FOR TYPE OF PIPE, VALVES, UNIONS & CHECK VALVES FURNISHED & INSTALLED BY PLUMBING CONTRACTOR.
 - TYPICAL DETAIL - PIPING CONNECTIONS AT COMPRESSORS MAY VARY ACCORDING TO MANUFACTURER. COMPRESSORS ARE TO BE FURNISHED BY OWNER AND INSTALLED BY CONTRACTOR.
 - COMPRESSORS TO BE INSTALLED PER MANUFACTURER'S INSTRUCTIONS.
 - DRYER TO BE INSTALLED PER MANUFACTURER'S INSTRUCTIONS.
 - ALL PIPING IS LOCATED / INSTALLED BETWEEN COMPRESSORS AND WALL. MOUNT TIGHT TO WALL.
 - ALL VALVES SHALL BE NORMALLY OPEN (NO.) UNLESS NOTED OTHERWISE.

3 AIR PIPING DETAIL - TWO VERTICAL COMPRESSORS
 SCALE: N.T.S.

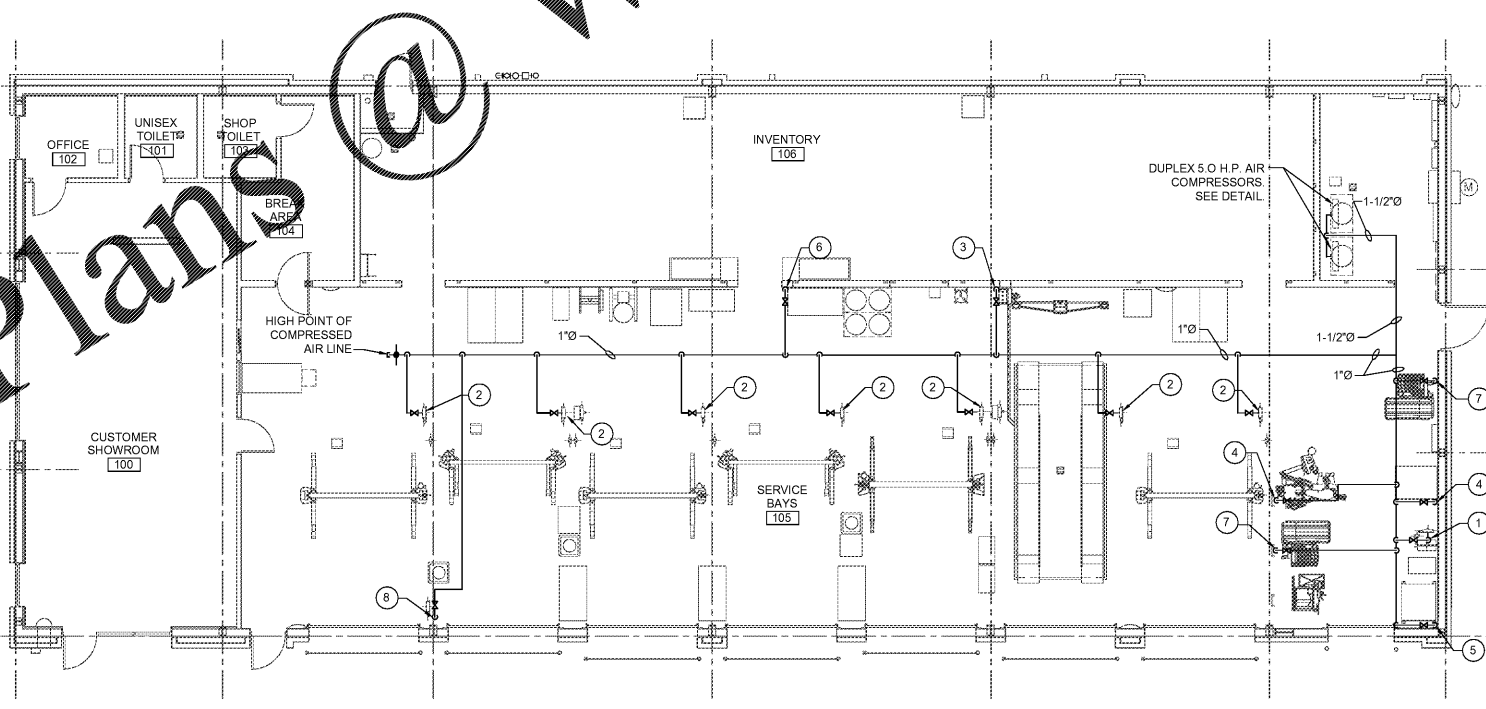


- NOTES:**
- ALL REELS ARE FURNISHED BY OWNER AND INSTALLED BY CONTRACTOR.
 - ALL REEL SUPPORTS ARE FURNISHED AND INSTALLED BY CONTRACTOR.
 - 2 PIECE 40" LONG UNISTRUT TO BE MOUNTED ON THE BOTTOM OF THE STRUCTURAL MEMBER AND SECURED WITH ALL-THREAD ANCHORS. UNISTRUT SHALL BE CENTERED WITH PILASTER BETWEEN OVERHEAD BEAMS. REFER TO SHEET F1 FOR LOCATIONS.
 - FOUR PIECES OF ALL-THREAD EXTENDING BEYOND THE BOTTOM OF THE STRUCTURAL MEMBER FOR ATTACHMENT OF TWO 40" LONG PIECES OF UNISTRUT. EACH END OF THE ALL-THREAD TO BE DOUBLE NUTTED TYPICAL.
 - UNISTRUT TO BE INSTALLED WITH THE OPEN END OF THE CHANNEL FACING THE SERVICE BAY FLOOR.
 - WHERE AIR REEL OCCURS AT A MAIN BEAM LINE, MOUNT UNISTRUT TO BOTTOM OF MAIN ROOF BEAM. SUPPORT UNISTRUT AT EACH END WITH ALL-THREAD BACK UP TO A UNISTRUT MOUNTED AT THE BOTTOM OF THE ROOF PURLIN. PROVIDE ALL SECONDARY UNISTRUT AS NECESSARY TO ATTACHED UNISTRUT AS SHOWN.

2 PRE-ENGINEERED BUILDING AIR HOSE REEL DETAIL
 SCALE: N.T.S.



4 AIR SUPPLY DETAIL
 SCALE: N.T.S.



1 AIR PIPING PLAN
 SCALE: 1/8" = 1'-0"

NOTE:
 VERIFY FINAL LOCATION OF AIR PIPING WITH ARCHITECTURAL DRAWINGS AND SHEET F1. COORDINATE EXACT AIR DROP LOCATIONS WITH ARCHITECT PRIOR TO FINAL INSTALLATION.

KEYED PLAN NOTES

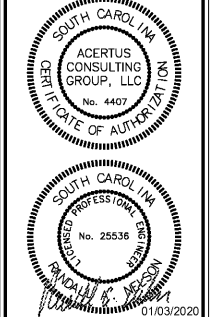
- FLAT REPAIR STATION 1/2" PIPE TO OVERHEAD AIR HOSE REEL. SEE DETAIL ON THIS SHEET FOR MOUNTING. COORDINATE EXACT LOCATION WITH FIXTURE PLAN.
- 1/2" PIPE TO OVERHEAD AIR HOSE REEL. SEE DETAIL ON THIS SHEET FOR MOUNTING. COORDINATE EXACT LOCATION WITH FIXTURE PLAN.
- 1/2" PIPE DOWN TO ALIGNMENT RACK. MAKE FINAL HARD PIPE CONNECTION TO ALIGNMENT CONTROLLER BOX. COORDINATE EXACT LOCATION WITH FIXTURE PLAN. REFER TO AIR SUPPLY DETAIL THIS SHEET FOR MOUNTING HEIGHT.
- 1/2" PIPE DROP FOR RIM CLAMP TIRE CHANGER. COORDINATE EXACT LOCATION WITH FIXTURE PLAN. REFER TO AIR SUPPLY DETAIL ON THIS SHEET FOR MOUNTING HEIGHT.
- 1/2" PIPE DROP FOR TANK MOUNTED AIR POWERED OIL PUMP. REFER TO AIR SUPPLY DETAIL THIS SHEET FOR MOUNTING HEIGHT. COORDINATE LOCATION OF AIR DROP WITH FIXTURE PLAN AND USED OIL STORAGE SYSTEM DETAIL ON SHEET P4.
- 1/2" PIPE DOWN TO WORKBENCH. COORDINATE EXACT LOCATION WITH FIXTURE PLAN. REFER TO AIR SUPPLY DETAIL ON THIS SHEET FOR MOUNTING HEIGHT.
- 1/2" PIPE DOWN TO ELECTRONIC WHEEL BALANCER. COORDINATE EXACT LOCATION WITH FIXTURE PLAN. REFER TO AIR SUPPLY DETAIL ON THIS SHEET FOR MOUNTING HEIGHT. COORDINATE WITH OWNER FOR FUTURE LOCATION OF AIR POWERED WHEEL BALANCER AND ELECTRONIC WHEEL BALANCER.
- 1/2" PIPE DOWN TO WALL MOUNTED AIR HOSE REEL. PROVIDE SHUT OFF VALVE AT 7'-6" AND ROUTE UP TO HOSE REEL MOUNTED 8' ABOVE FINISHED FLOOR. COORDINATE EXACT LOCATION WITH FIXTURE PLAN. SEE DETAIL ON THIS SHEET. REFER TO AIR SUPPLY DETAIL THIS SHEET FOR MOUNTING HEIGHT FOR ALL OTHERS.

AIR PIPING NOTES

- PROVIDE SHUTOFF VALVES IN EACH BRANCH USING BALL VALVES. REFER TO AIR SUPPLY DETAIL ON THIS SHEET FOR MOUNTING HEIGHT.
- INSTALL/ROUTE ALL PIPING TIGHT TO UNDERSIDE OF SERVICE BAY ROOF STRUCTURE.
- MAKE FINAL CONNECTIONS TO ALL EQUIPMENT FURNISHED BY OTHERS PER MANUFACTURER'S INSTRUCTIONS.
- PITCH PIPING BACK TO AIR COMPRESSOR. TAP ALL BRANCH PIPING TAKE-OFFS FROM TOP OF MAIN.
- RUN 1/2" PIPING FROM SUPPLY MANIFOLD TO TIRE CHANGERS AND CONNECT PER MANUFACTURER'S INSTRUCTIONS. SEE MANUFACTURER'S DRAWINGS FOR DETAIL OF SUPPLY MANIFOLD.
- ALL EQUIPMENT, MATERIAL AND LABOR NECESSARY FOR COMPLETION OF COMPRESSED AIR SYSTEM SHOWN ON DRAWINGS OR REFERRED TO IN SPECIFICATIONS TO BE FURNISHED AND INSTALLED BY CONTRACTOR UNLESS NOTED OTHERWISE.
- WHERE DRAWINGS OR SPECIFICATIONS EXCEED GOVERNING CODE REQUIREMENTS, DESIGN SHALL GOVERN. INSTALL NO WORK CONTRARY TO OR BELOW MINIMUM LEGAL STANDARDS, WHETHER DRAWINGS AND SPECIFICATIONS FULLY COMPLY OR NOT.
- CAUTION: ALL AIR LINES SHALL BE PROPERLY CLEANED AND BLOWN OUT PRIOR TO CONNECTING TO ANY OF THE EQUIPMENT SHOWN ON THIS SHEET.
- PROVIDE TIRE BALANCING UNIT AIR SUPPLY.



NEW FCAC STORE
 2020 ER
 1762 STATE RD
 SUMMERVILLE, SC



ISSUE BLOCK

01/06/20	REV #1
----------	--------

PROPERTY NO.: 317910
 6 DIGIT NO.: 798662
 4 DIGIT NO.: 013K

AOR PROJECT NUMBER: 1955867
 TO PERMIT: DATE: 12-20-19
 TO BID: DATE: ##-##-##

SHEET TITLE:
AIR PIPING PLAN AND NOTES

SHEET NUMBER:
P3