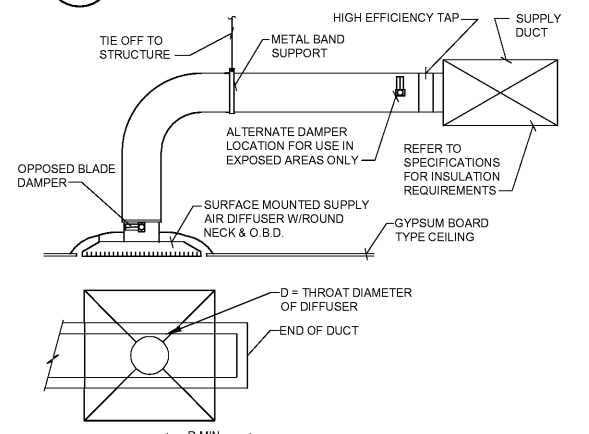
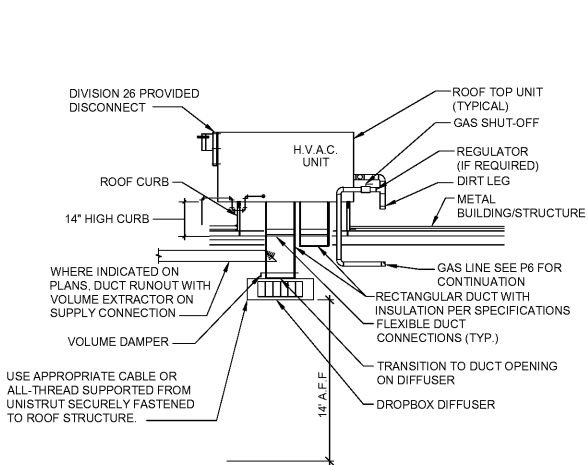


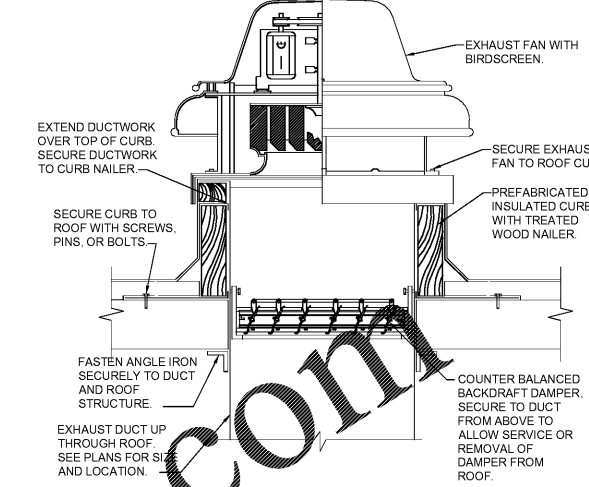
**1** ROOFTOP UNIT PIPING DETAIL  
 M2 N.T.S.



**2** SERVICE BAY EXHAUST FAN  
 M2 N.T.S.



**3** RTU PACKAGE HVAC DETAIL  
 M2 N.T.S.



**4** ROOF MOUNTED EXHAUST FAN DETAIL  
 M2 N.T.S.

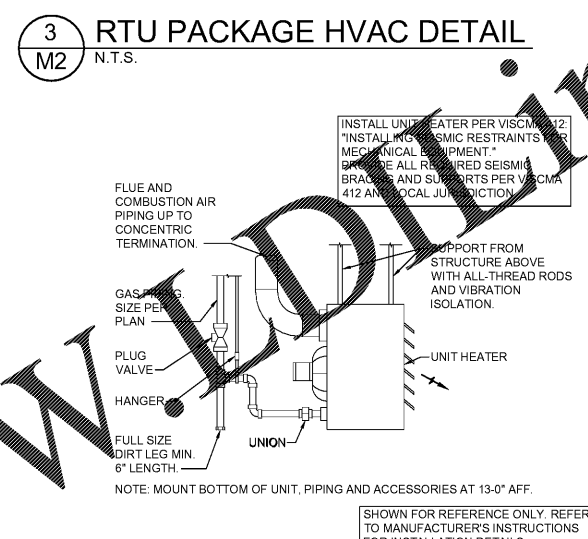
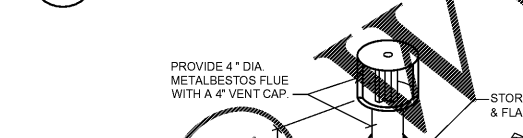
**GENERAL DETAIL NOTES**

- SUSPEND UNIT HEATERS FROM UNISTRUT CHANNELS MOUNTED TO STRUCTURE WITH VIBRATION ISOLATORS EQUIPPED HANGER RODS OR AN APPROVED EQUAL METHOD.
- ALL EQUIPMENT FURNISHED BY CONTRACTOR SHALL HAVE MAGNETIC STARTERS OF SIZE AND CAPACITIES AS REQ'D FOR PROPER EQUIPMENT OPERATION. FURNISH WEATHERPROOF BOXES (NEMA 3R) FOR EXTERIOR USE.
- EXTEND ALL METALBESTOS FLUES OF DIAMETERS SHOWN THROUGH ROOF TO HEIGHT REQUIRED BY CODE WITH ALUMINUM ROUND TOP. PROVIDE VENTILATING THIMBLE THROUGH ROOF FOR CLEARANCE AROUND STACK AND SUPPORT SECURELY. PROVIDE WEATHER TIGHT RAIN COLLAR AND FLASHING AT PENETRATION.
- ALL THERMOSTATS TO BE FURNISHED BY HVAC CONTRACTOR TO ELECTRICAL CONTRACTOR FOR INSTALLATION.
- FURNISH AND INSTALL UL RATED FIRE DAMPERS W/FUSIBLE LINKS AND ACCESS PANELS IN DUCT WORK AT PENETRATIONS OF FIRE RATE ASSEMBLIES AS REQUIRED BY CODE.
- WIRING SCHEMATICS OF ALL HVAC EQUIPMENT SHALL BE FURNISHED BY HVAC CONTRACTOR TO ELECTRICAL CONTRACTOR.
- ADJUST ALL FANS TO PROPER RPM TO ASSURE CFM REQUIRED AND BALANCE ALL GRILLES AND DIFFUSERS TO CFM SHOWN ON DRAWINGS. (+5%)
- WHERE DRAWINGS AND SPECIFICATIONS EXCEED GOVERNING CODE REQUIREMENTS, DESIGN SHALL GOVERN. INSTALL NO WORK CONTRARY TO OR BELOW MINIMUM LEGAL STANDARDS, WHETHER DRAWINGS AND SPECIFICATIONS FULLY COMPLY OR NOT.
- ROUTE ALL PIPING TIGHT TO CEILING AND WALLS, PARALLEL AND PERPENDICULAR TO BUILDING STRUCTURE WHERE POSSIBLE.
- ALL SHUT OFF VALVES TO BE ACCESSIBLE TO ASSOCIATES WITHOUT THE USE OF A LADDER OR STEP-STOOL.

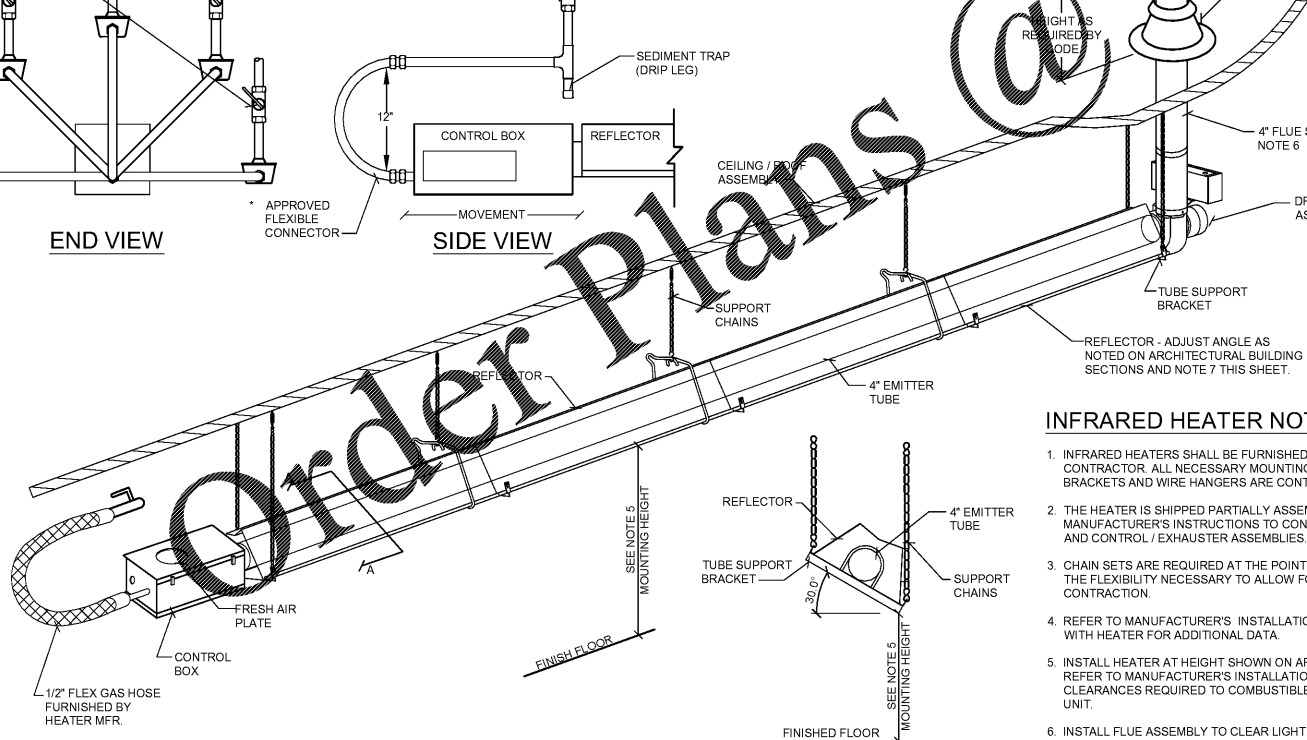
**5** SUPPLY AIR DIFFUSER DETAIL  
 M2 N.T.S.



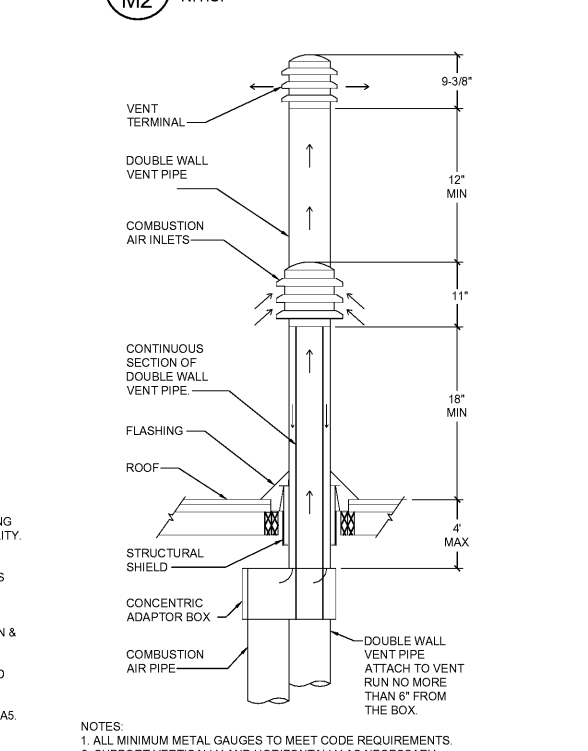
**6** SERVICE BAY EXHAUST DUCT DETAIL  
 M2 N.T.S.



**7** GAS FIRED UNIT HEATER DETAIL  
 M2 N.T.S.



**8** GAS FIRED INFRA-RED STRAIGHT TUBE HEATER DETAIL  
 M2 N.T.S.



**9** CONCENTRIC FLUE DETAIL  
 M2 N.T.S.

**INFRARED HEATER NOTES**

- INFRARED HEATERS SHALL BE FURNISHED & INSTALLED BY CONTRACTOR. ALL NECESSARY MOUNTING HARDWARE INCLUDING BRACKETS AND WIRE HANGERS ARE CONTRACTOR RESPONSIBILITY.
- THE HEATER IS SHIPPED PARTIALLY ASSEMBLED. FOLLOW MANUFACTURER'S INSTRUCTIONS TO CONNECT BODY PACKAGES AND CONTROL/EXHAUSTER ASSEMBLIES.
- CHAIN SETS ARE REQUIRED AT THE POINTS SHOWN TO PROVIDE THE FLEXIBILITY NECESSARY TO ALLOW FOR HEATER EXPANSION & CONTRACTION.
- REFER TO MANUFACTURER'S INSTALLATION MANUAL FURNISHED WITH HEATER FOR ADDITIONAL DATA.
- INSTALL HEATER AT HEIGHT SHOWN ON ARCHITECTURAL SHEET AS REFER TO MANUFACTURER'S INSTALLATION MANUAL FOR ALL CLEARANCES REQUIRED TO COMBUSTIBLES, BELOW AND ABOVE UNIT.
- INSTALL FLUE ASSEMBLY TO CLEAR LIGHT FIXTURES & EQUIPMENT AND TO PENETRATE ROOF PAST THE RIDGE VENT. SEE ROOF PLAN.
- CONTRACTOR SHALL ROTATE RADIANT HEATER TO A 30° DEG ANGLE PER MANUFACTURER'S INSTRUCTIONS.

**SECTION A-A**

DETAIL BY MANUFACTURER FOR REFERENCE ONLY.