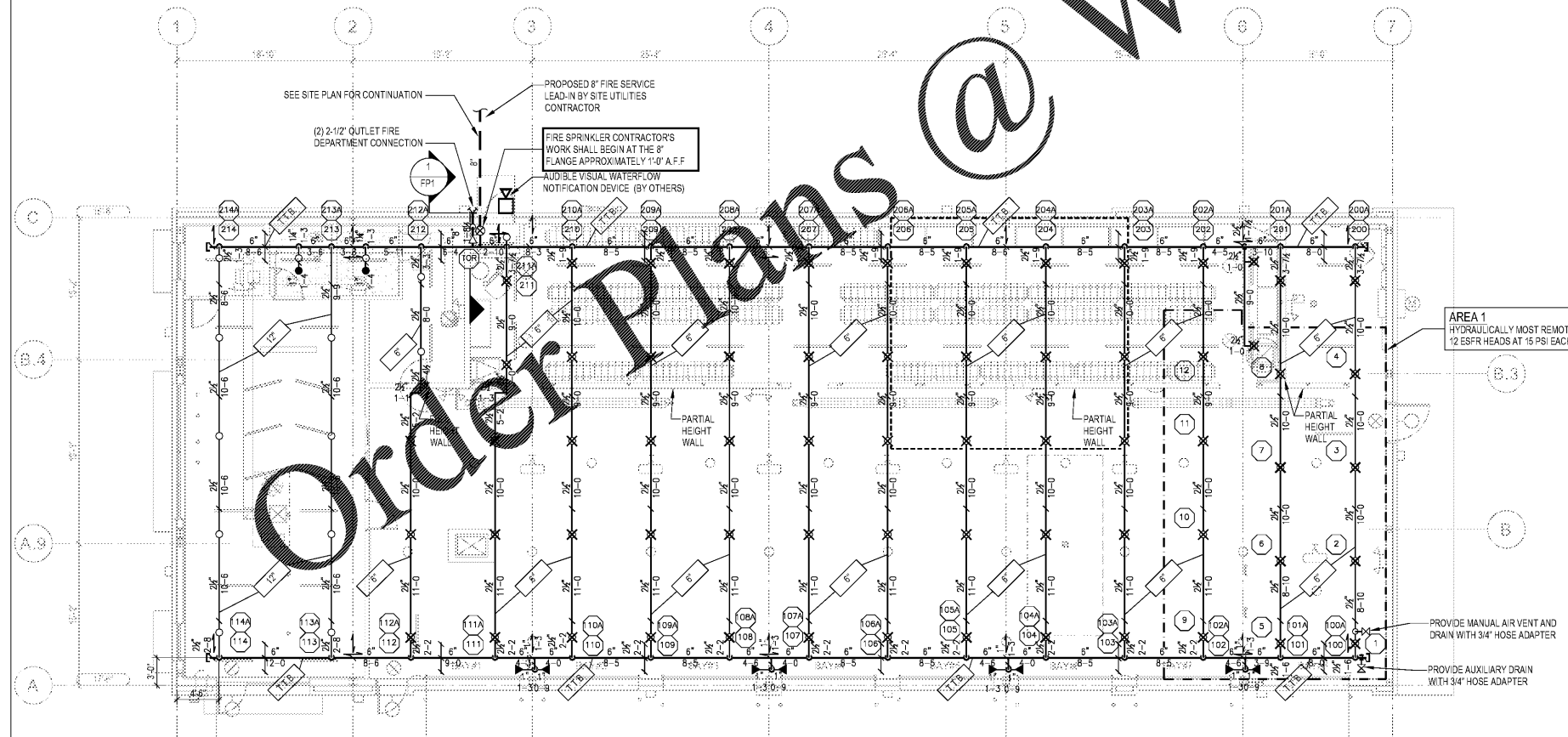


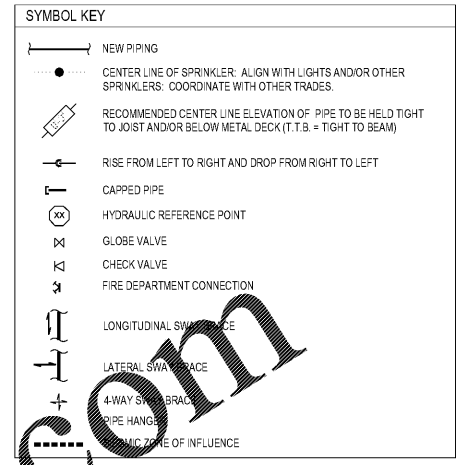
FIRE PROTECTION SITE PLAN
SCALE: 1" = 40'-0"
FEE: 100 FT AMSL

UNDERGROUND PIPING NOTE
ALL UNDERGROUND PIPING, VALVES, FITTINGS, DIMENSIONS, ETC. ARE SHOWN FOR REFERENCE ONLY. REFER TO CIVIL DRAWINGS FOR EXACT LOCATIONS, TYPES, AND SIZES OF ALL COMPONENTS IN ADDITION TO DETAILS OF CONSTRUCTION.



FIRE SPRINKLER PLAN
SCALE: 1/8" = 1'-0"
FIN. FLOOR ELEV. = 100'-0"

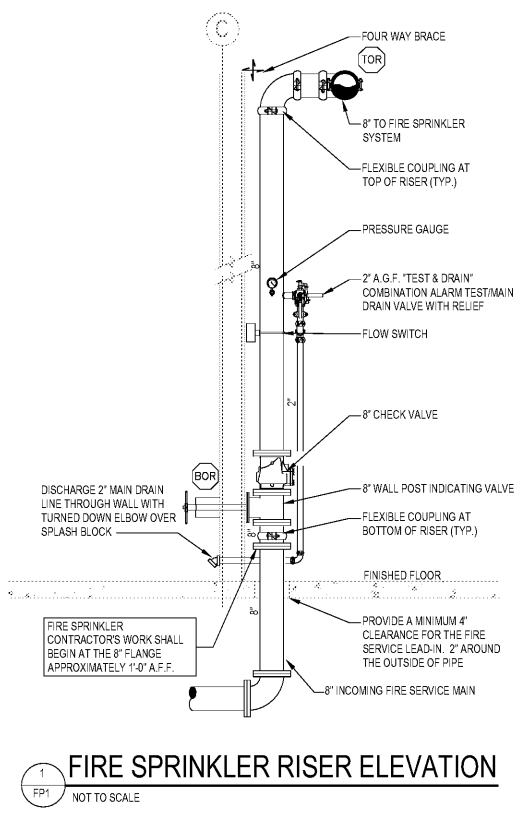
- FIRE SPRINKLER CONTRACTOR (FSC) BIDDING AND INSTALLATION TIMELINE**
1. FIRE SPRINKLER CONTRACTORS SHALL PREPARE SPRINKLER BID BASED ON THESE CONTRACT DOCUMENTS (CDS). THE FSC SHALL DELIVER THEIR SHOP DRAWING SUBMITTAL (SDS) TO ARCHITECT FOR REVIEW NO MORE THAN TWO (2) WEEKS PRIOR TO THE START OF THE FSC'S WORK. SEE SPECIFICATION FOR ADDITIONAL DETAILS REGARDING THE FSC'S SDS.
 2. THE ELECTRONIC VERSIONS (AUTOCAD) AND HYDRAULIC CALCULATION FILES WILL BE MADE AVAILABLE TO THE SUCCESSFUL FIRE SPRINKLER CONTRACTOR (FSC) FOR USE IN PREPARING THE SHOP DRAWING SUBMITTAL. THE FSC'S REQUEST SHALL BE MADE WITHIN TWO (2) WEEKS OF SPRINKLER CONTRACT AWARD. ELECTRONIC DATA FILES WILL BE ELECTRONICALLY TRANSMITTED TO THE FSC UPON RECEIPT OF SIGNED ELECTRONIC RELEASE FORM. NOTE: THE FSC MAY UTILIZE OTHER HYDRAULIC CALCULATION PROGRAMS TO PRODUCE SHOP DRAWING SUBMITTAL.
 3. AFTER SATISFACTORY REVIEW OF THE SDS, THE FSC SHALL SUBMIT TO ALL AUTHORITIES HAVING JURISDICTION FOR INSTALLATION PERMIT APPROVAL. WHERE APPLICABLE, THE FSC SHALL ALSO SUBMIT TO THE INSURANCE UNDERWRITER FOR INSURANCE PURPOSES. SUBMITTALS MAY OCCUR CONCURRENTLY WHERE SCHEDULES REQUIRE, BUT FIRE PROTECTION ENGINEER OF RECORDS REVIEW SHALL TAKE PRECEDENCE OVER ALL OTHER SUBMITTAL REVIEWS (NO EXCEPTIONS).
 4. THE FSC SHALL BE RESPONSIBLE FOR RESPONDING, IN WRITING, TO ANY COMMENTS FROM ALL AUTHORITIES HAVING JURISDICTION WITHIN TEN (10) WORKING DAYS AFTER THE RECEIPT OF THEIR COMMENTS. COPIES OF THE RESPONSE SHALL BE SENT TO FIRE PROTECTION ENGINEER OF RECORD, ARCHITECT AND OWNER REPRESENTATIVES.
 5. THE FSC SHALL COMPLETE ALL PRELIMINARY TESTING PROCEDURES PRIOR TO FINAL TESTING. SEE SPECIFICATION FOR ADDITIONAL DETAILS ON PRELIMINARY AND FINAL TESTING.
 6. THE FSC SHALL COMPLETE AND SUBMIT ALL CONTRACTOR'S MATERIAL TEST CERTIFICATES (INCLUDE UNDERGROUND PIPING CERTIFICATE WHERE APPLICABLE) TO OWNER REPRESENTATIVE PRIOR TO FINAL SYSTEM ACCEPTANCE.
 7. THE FSC SHALL SUBMIT ALL PROJECT CLOSEOUT DOCUMENTS TO OWNER REPRESENTATIVE OR TO FINAL SYSTEM ACCEPTANCE IN ACCORDANCE WITH PROJECT REQUIREMENTS IN HARD COPY AND ELECTRONIC FILE FORMAT INCLUDING THE FOLLOWING ITEMS:
 - OPERATING AND MAINTENANCE INSTRUCTIONS.
 - AS-BUILT DOCUMENTS.
 - WARRANTY INFORMATION.



SPRINKLER LEGEND

SYMBOL	SPRINKLER TYPE	TEMP.	K	FINISH	RESP.	QTY.
●	CHROME PENDENT WITH 2 PIECE ESCUTCHEON	ORD	5.6	CHROME	QR	2
○	UPRIGHT	INT	5.6	BRASS	QR	14
⊗	ESFR K25.2 PENDENT	INT	25.2	BRASS	ESFR	65
◀	BRASS HORIZONTAL SIDEWALL WITH GUARD	INT	5.6	BRASS	QR	8

ESFR SPRINKLER SYSTEM SHALL COMPLY WITH ALL OBSTRUCTION REQUIREMENTS WITHIN NFPA 13. COORDINATION WITH ALL TRADES WILL BE REQUIRED TO COMPLY



FIRE SPRINKLER RISER ELEVATION
1 FP1 NOT TO SCALE

CODE CONSULTANTS, INC.
2043 WOODLAND PKWY, SUITE 300
ST. LOUIS, MISSOURI 63146-4235
314-991-2633
www.codeconsultants.com

Firestone COMPLETE AUTO CARE

THIS DRAWING IS THE PROPERTY OF BRIDGESTONE RETAIL OPERATIONS, LLC AND IS LOANED ON THE EXPRESS CONDITION THAT IT IS NOT TO BE REPRODUCED IN ANY MANNER OR USED FOR ANY OTHER PROJECT WITHOUT THE WRITTEN PERMISSION OF BRIDGESTONE RETAIL OPERATIONS, LLC. ANY REPRODUCTION OR USE OF THIS DRAWING WITHOUT THE WRITTEN PERMISSION OF BRIDGESTONE RETAIL OPERATIONS, LLC IS STRICTLY PROHIBITED AND WILL BE CONSIDERED A VIOLATION OF THE DRAWING'S OWNERSHIP RIGHTS TO THE DRAWING BY BRIDGESTONE RETAIL OPERATIONS, LLC.

NEW FCAC STORE
2020 ER
1762 STATE RD
SUMMERVILLE, SC

FIRE PROTECTION ENGINEER OF RECORD:
WILLIAM B. SMITH, PE
LICENSE NO. 28979
01-07-2020
WILLIAM B. SMITH

CODE CONSULTANTS, INC.
2043 WOODLAND PKWY, SUITE 300
ST. LOUIS, MISSOURI 63146-4235
PHONE: 314-991-2633
CORPORATE CERTIFICATE OF AUTHORITY NO. 2751

ISSUE BLOCK

01/06/20	REV #1
----------	--------

PROPERTY NO.: 317910
6 DIGIT NO.: 799862
4 DIGIT NO.: 013K
AOR PROJECT NUMBER: 1965867
TO PERMIT: DATE: 12-20-19
TO BID: DATE: ##-##-##

SHEET TITLE:
FIRE SPRINKLER PLAN

SHEET NUMBER:
FP1