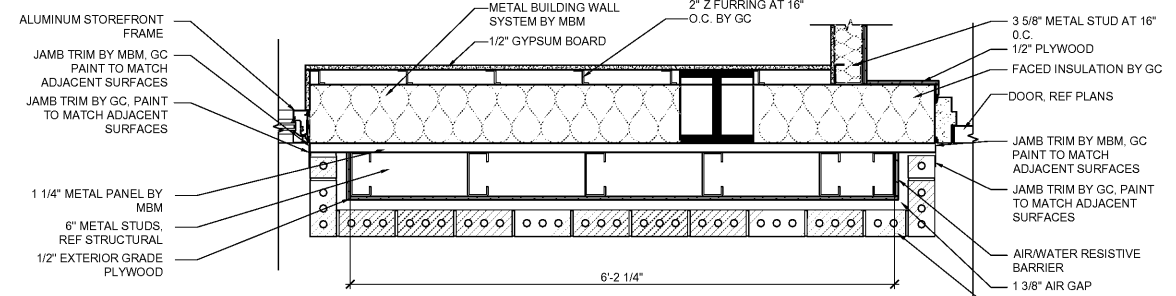
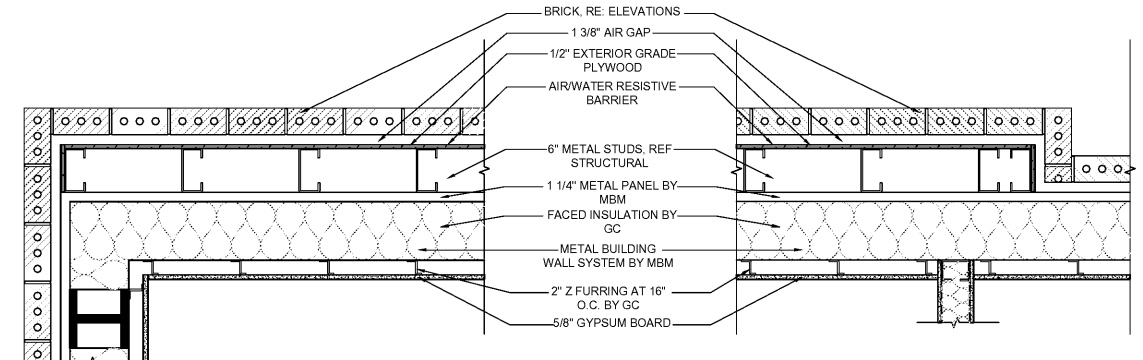


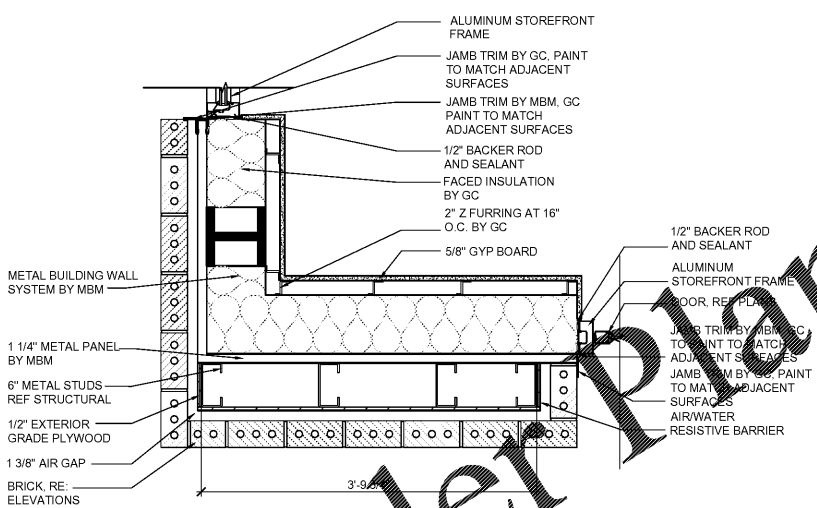
1 PLAN DETAIL
SCALE: 1"=1'-0"



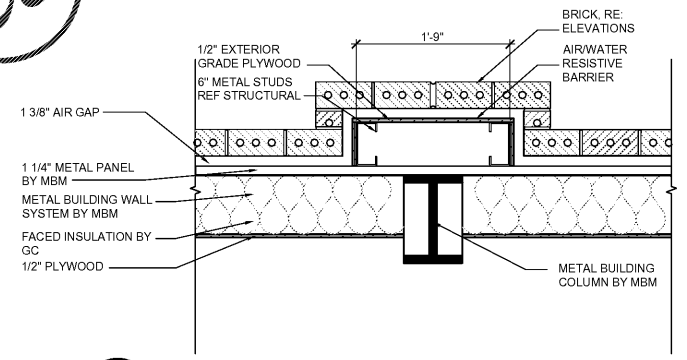
2 PLAN DETAIL
SCALE: 1"=1'-0"



3 PLAN DETAIL
SCALE: 1"=1'-0"



4 PLAN DETAIL
SCALE: 1"=1'-0"



5 PLAN DETAIL
SCALE: 1"=1'-0"

Order Plans @

WWW.LDILine.com

SGA Design Group, P.C.
1437 South Boulder, Suite 550
Tulsa, Oklahoma 74119-3609
p 918.597.8600
t 918.597.8601
www.sga-designgroup.com

Firestone COMPLETE AUTO CARE

REPRODUCTION OF THESE DRAWINGS IS PROHIBITED WITHOUT THE WRITTEN PERMISSION OF SGA DESIGN GROUP, P.C. ANY REPRODUCTION OR USE OF THESE DRAWINGS FOR ANY OTHER PROJECT WITHOUT THE WRITTEN PERMISSION OF SGA DESIGN GROUP, P.C. IS STRICTLY PROHIBITED AND WILL BE CONSIDERED A VIOLATION OF THE PROFESSIONAL ETHICS OF ARCHITECTS AND ENGINEERS. REPRODUCTION OF THIS DRAWING FOR ANY OTHER PROJECT WITHOUT THE WRITTEN PERMISSION OF SGA DESIGN GROUP, P.C. IS STRICTLY PROHIBITED AND WILL BE CONSIDERED A VIOLATION OF THE PROFESSIONAL ETHICS OF ARCHITECTS AND ENGINEERS.

NEW FCAC STORE
2020 ER
1762 STATE RD
SUMMERVILLE, SC

STATE OF SOUTH CAROLINA
REGISTERED ARCHITECTS
SGA DESIGN GROUP, P.C.
Tulsa, OK
97042

STATE OF SOUTH CAROLINA
REGISTERED ARCHITECT
VIRGINIA GAYLE HART
TULSA, OK
19230

| ISSUE BLOCK | |
|-------------|-------|
| DATE | REV # |
| 01/06/20 | 1 |

PROPERTY NO.: 317910
6 DIGIT NO.: 798862
4 DIGIT NO.: 013K
AOR PROJECT NUMBER: 1955867
TO PERMIT DATE: 12-20-19
TO BID DATE: ##-##-##

SHEET TITLE:
ENLARGED
PLAN DETAILS

SHEET NUMBER:
A1.2