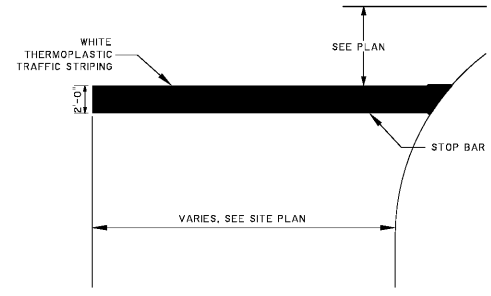
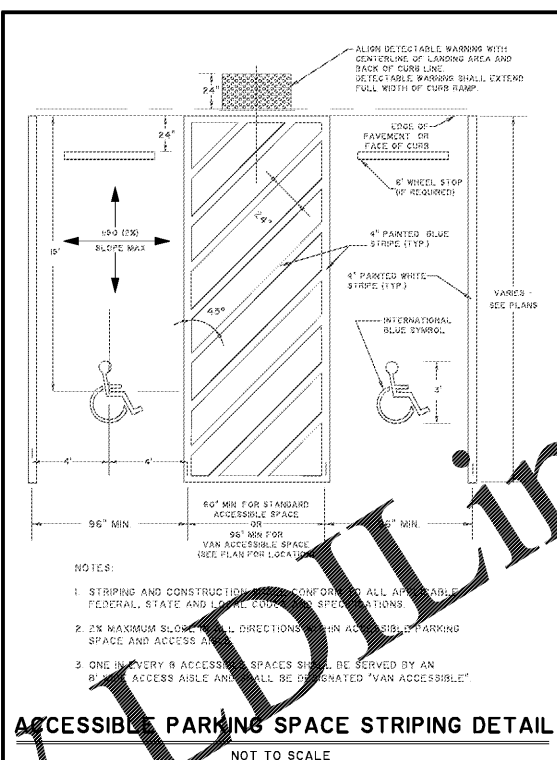


TRAFFIC CONTROL SIGN DETAILS
NOT TO SCALE

- NOTES:
1. ALL TRAFFIC CONTROL SIGNS SHALL CONFORM TO SCDOT STANDARDS AS SHOWN ON SCDOT STANDARD DRAWING NO. 608-15.
 2. NUMBERS SHOWN UNDER SIGNS REFER TO SIGN NUMBER ON SCDOT STANDARD DRAWING NO. 608-15.
 3. ALL TRAFFIC CONTROL SIGNS SHALL COMPLY WITH THE MANUAL ON UNIFORM TRAFFIC CONTROL DEVICES (CURRENT EDITION).

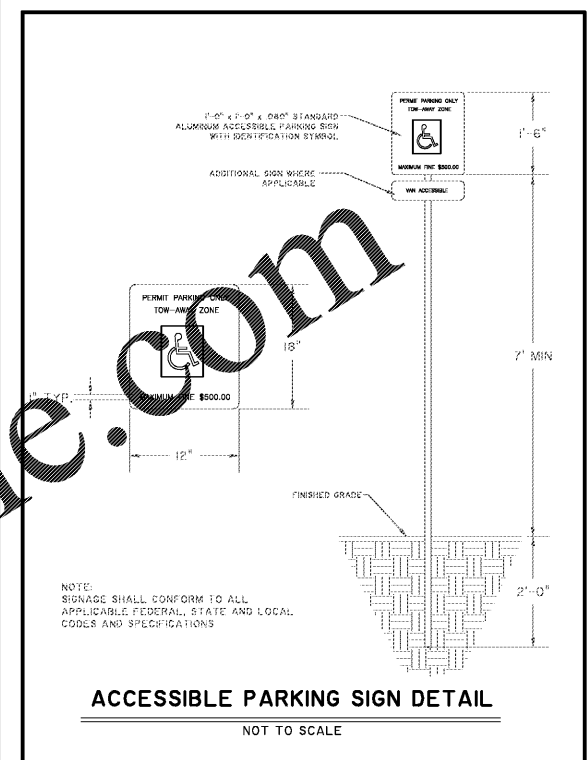


TYPICAL STOP BAR PAVEMENT MARKING DETAIL
NOT TO SCALE



ACCESSIBLE PARKING SPACE STRIPING DETAIL
NOT TO SCALE

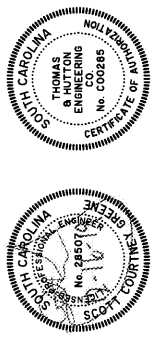
A3.1
FEB. 2009
THOMAS & HUTTON
ENGINEERING CO.



ACCESSIBLE PARKING SIGN DETAIL
NOT TO SCALE

A4.1
FEB. 2009
THOMAS & HUTTON
ENGINEERING CO.

Order Plans @ www.tdline.com



NO.	REVISIONS	BY	DATE

THOMAS & HUTTON
682 Johnnie Dodds Boulevard • Suite 100
Mt. Pleasant, SC 29464 • 843.849.0200
www.thomasandhutton.com

PAVILION DEVELOPMENT COMPANY
BERKELEY COUNTY, SOUTH CAROLINA
FIRESTONE SITE DEVELOPMENT
PAVING, GRADING, AND DRAINAGE DETAILS

JOB NO:	J-23390.8120
DATE:	10/04/19
DRAWN:	JEA
DESIGNED:	CAE
REVIEWED:	SCG
APPROVED:	SCG
SCALE:	1" = 1'

C3.6

PERMIT SET - FOR REVIEW PURPOSES ONLY