

RENOVATION AND
ADDITION FOR
ABERDEEN
POLICE
DEPARTMENT



10/25/2019

ELECTRICAL
DETAILS

DATE: 10/25/2019
PROJECT NO: 18062

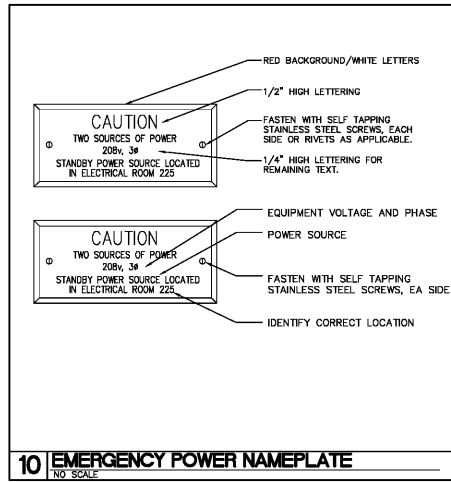
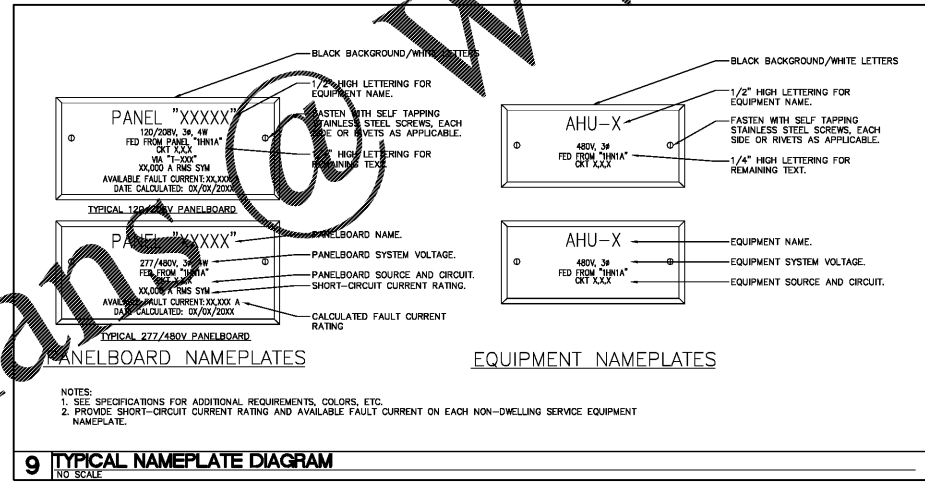
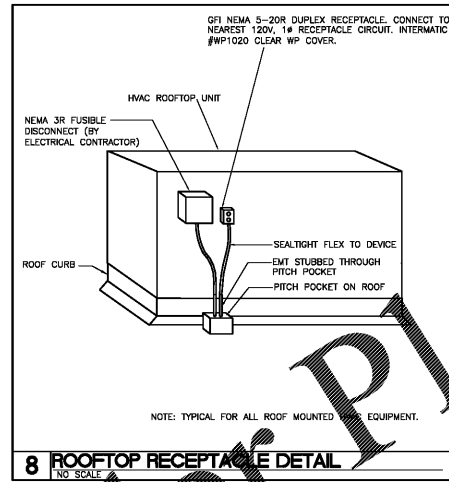
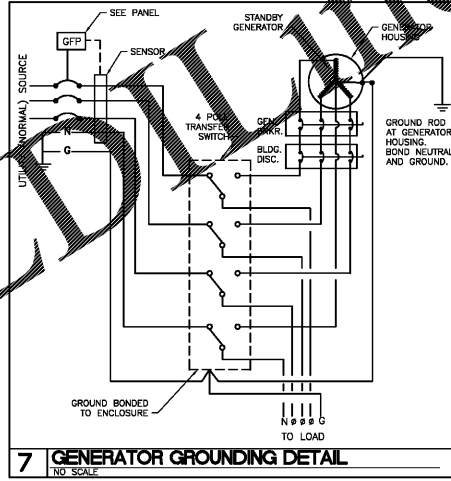
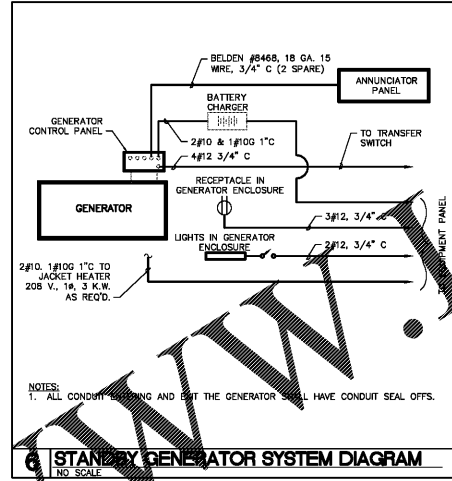
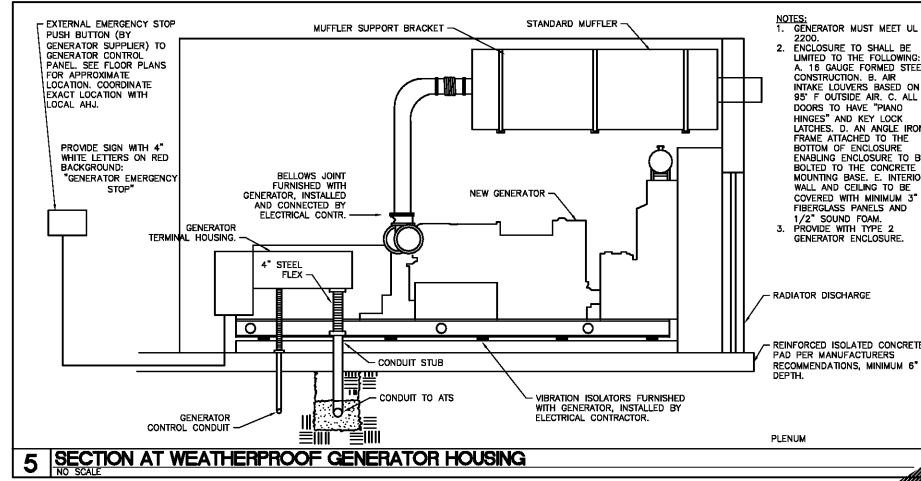
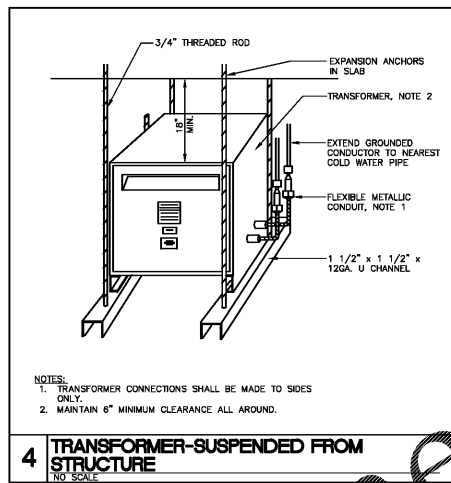
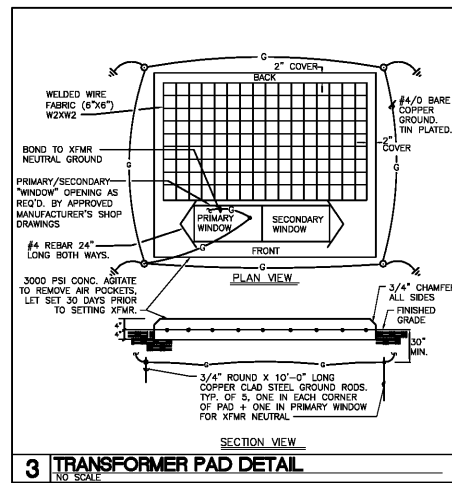
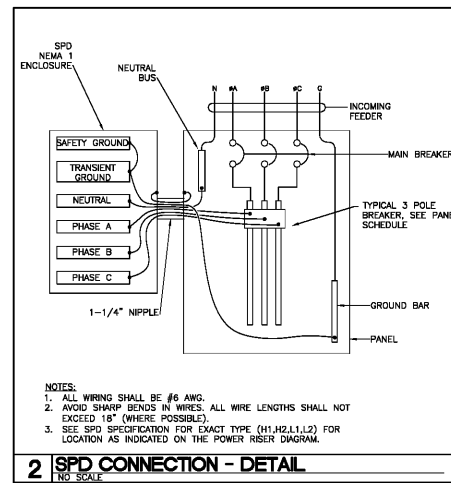
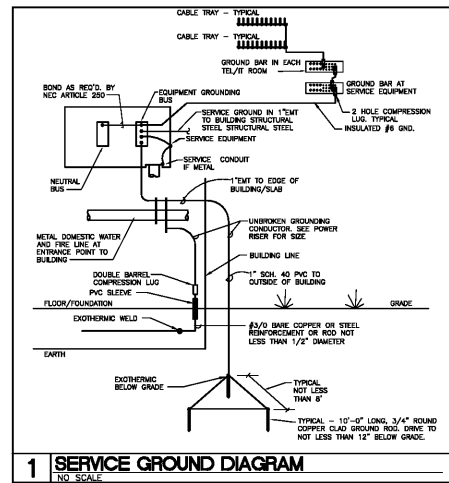
REVISIONS
NO. DATE DESCRIPTION

THIS DRAWING IS THE PROPERTY OF ADW ARCHITECTS, P.A. AND SHALL NOT BE REPRODUCED OR COPIED IN WHOLE OR PART. IT SHALL NOT BE USED ON ANY OTHER PROJECT OR GIVEN TO ANY OTHER COMPANY OR AGENCY WITHOUT THE CONSENT OF ADW ARCHITECTS, P.A.

SHEET NUMBER

E602

12 OF 18



ROOF SUPPORT SPECIFICATIONS

PROVIDE CONCRETE SUPPORT OR APPROVED EQUAL. CONDUIT DIAMETERS 1" TO 2" SPACING MAXIMUM. CONDUIT DIAMETERS 2" TO 3" SPACING MAXIMUM. CONDUIT DIAMETERS SMALLER THAN 1 1/2" : 6" SPACING MAXIMUM. UNIONS SHALL BE PROVIDED WITH AN ADDITIONAL SUPPORT.

Order Plans

WWW.PLANSDIRECT.COM

Order Plans