

RENOVATION AND  
ADDITION FOR  
**ABERDEEN  
POLICE  
DEPARTMENT**



10/25/2019

**MECHANICAL  
DETAILS**

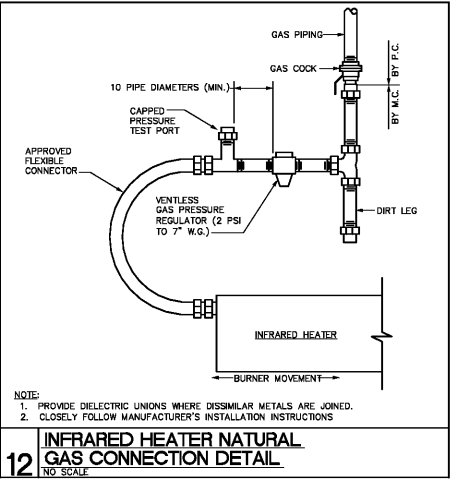
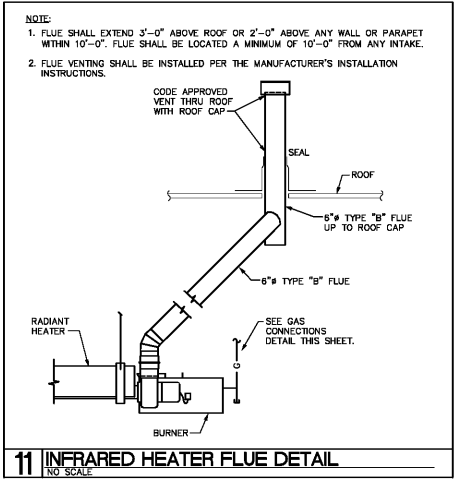
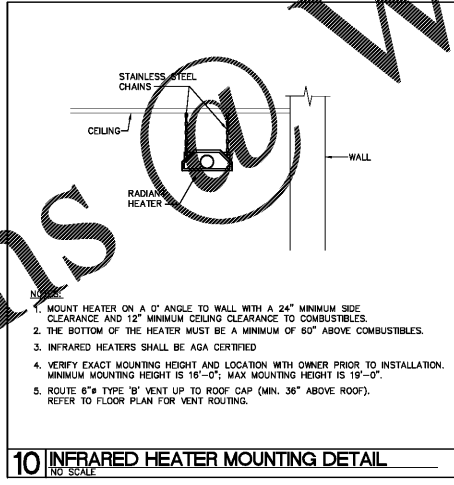
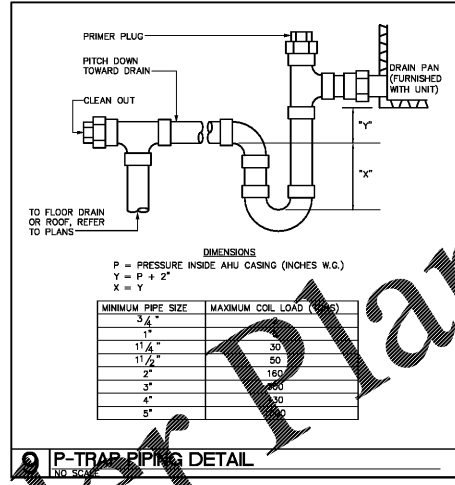
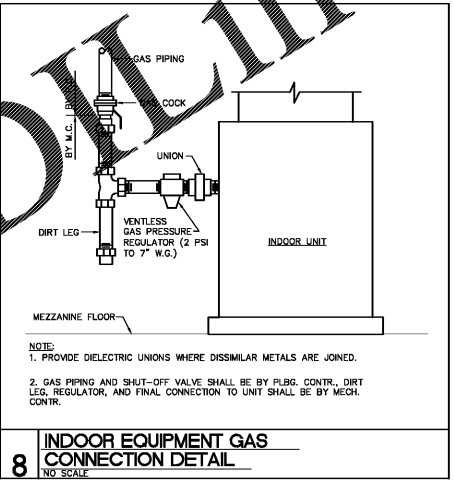
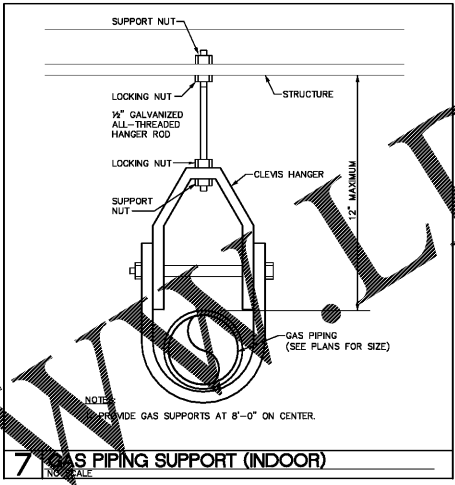
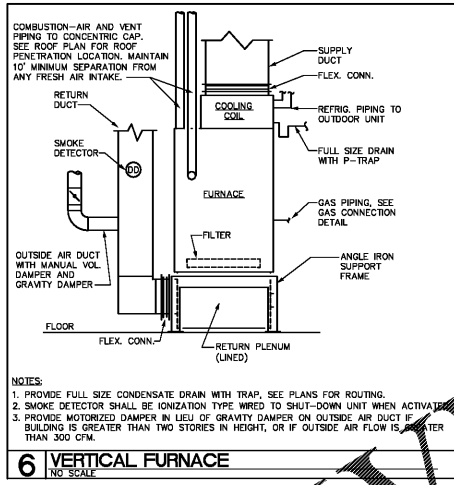
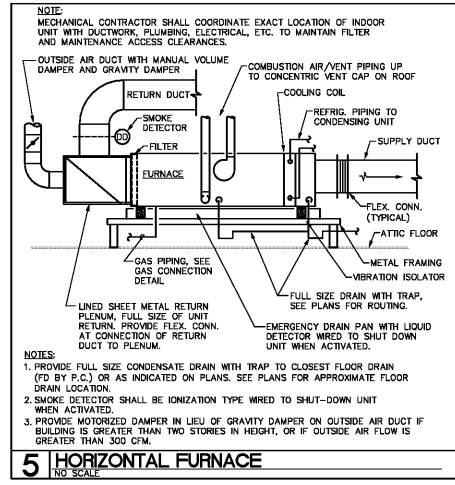
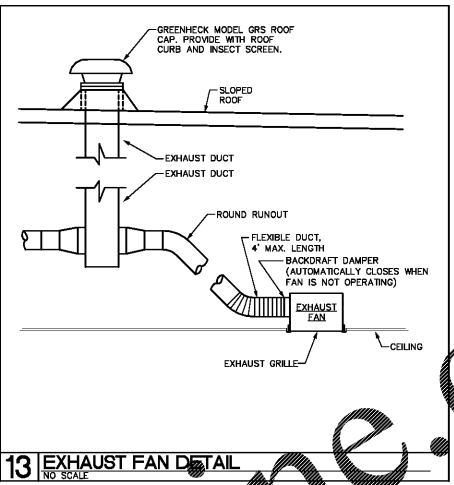
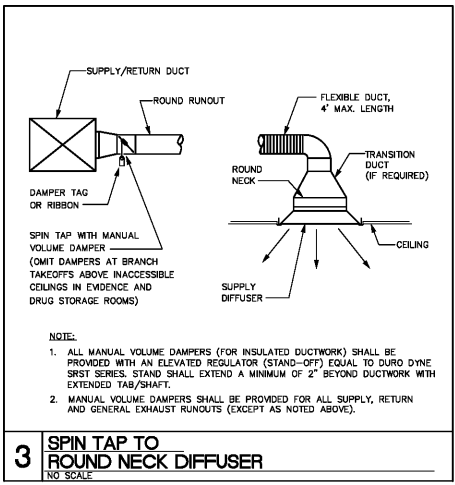
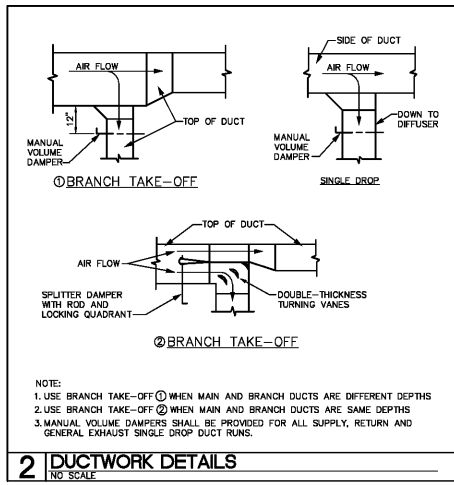
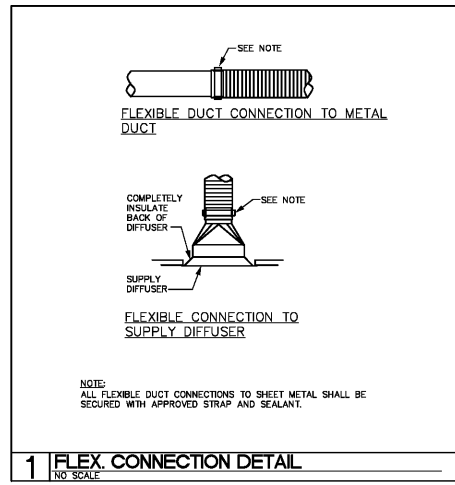
DATE: 10/25/2019  
PROJECT NO: 18062

REVISIONS  
NO. DATE DESCRIPTION

SHEET NUMBER

**M-201**

7 OF 7



Order Plans