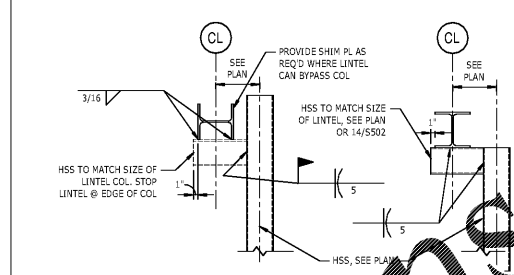
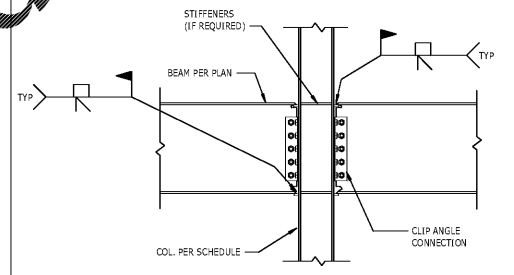


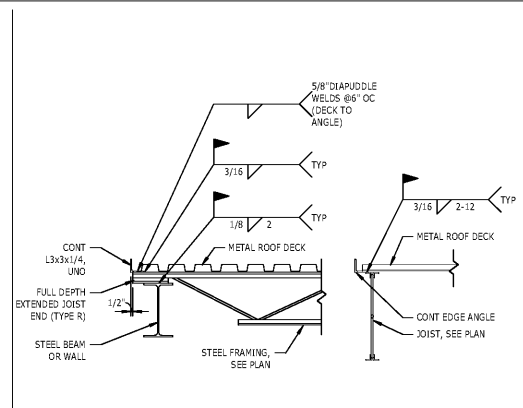
13 TYPICAL STEEL POST CONNECTION DETAILS
 S502 3/4" = 1'-0"
 NOTES:
 1. SEE 15/S502 FOR CONNECTION TO W SHAPE COLUMNS.



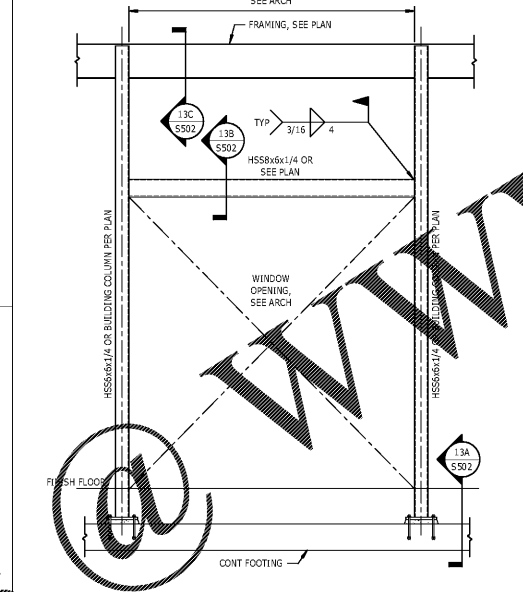
15 TYPICAL STEEL HEADER CONNECTION DETAILS
 S502 3/4" = 1'-0"



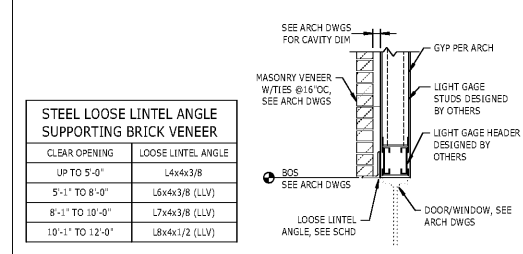
16 MOMENT CONNECTION
 S502 3/4" = 1'-0"



9 TYPICAL EDGE OF DECK
 S502 3/4" = 1'-0"
 NOTES:
 1. SEE OTHER DETAILS FOR INFORMATION NOT SHOWN.



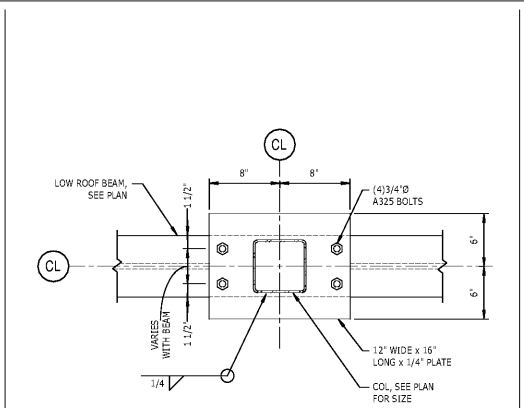
10 TYPICAL STEEL HEADER AND POST
 S502 3/8" = 1'-0"
 NOTES:
 1. FOR OPENINGS LARGER THAN 8'-0".
 2. OMIT GROUT WHERE STEEL BEAM SUPPORTS COLUMNS.



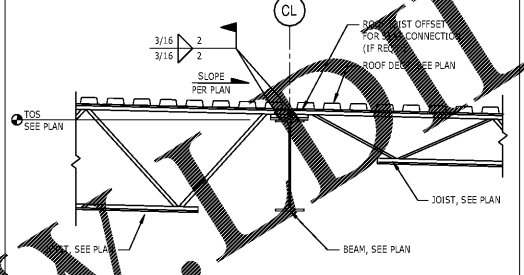
CLEAR OPENING	LOOSE LINTEL ANGLE
UP TO 5'-0"	L4x4x3/8
5'-1" TO 8'-0"	L6x4x3/8 (LLV)
8'-1" TO 10'-0"	L7x4x3/8 (LLV)
10'-1" TO 12'-0"	L8x4x1/2 (LLV)

- NOTES:
 1. ALL LOOSE LINTELS SHALL BE PAINTED OR GALVANIZED, SEE ARCHITECTURAL DRAWINGS.
 2. PROVIDE 6" MINIMUM BEARING FOR OPENINGS UP TO 8'-0" WIDE. PROVIDE 8" MINIMUM BEARING FOR OPENINGS OVER 8'-0" WIDE.
 3. SEE ARCHITECTURAL DRAWINGS FOR ANGLE PLACEMENT AND FLASHING.
 4. LOOSE LINTEL ANGLES ARE NOT SHOWN ON THE STRUCTURAL DRAWINGS. SEE ARCHITECTURAL DRAWINGS FOR ALL LOCATIONS OF OPENINGS REQUIRING ANGLES.
 5. FOR CLEAR OPENING DIMENSIONS GREATER THAN THOSE SHOWN IN THE SCHEDULE, SEE OTHER DETAILS OR CONTACT THE ENGINEER OF RECORD.

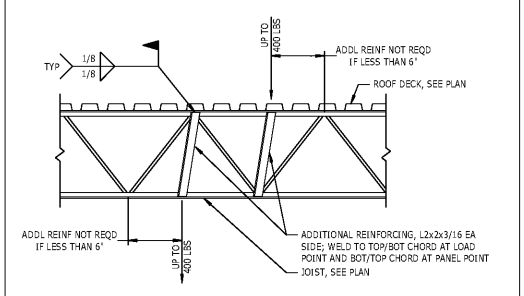
12 STEEL LOOSE LINTEL SCHEDULE
 S502 3/4" = 1'-0"



5 TYPICAL COLUMN BEARING ON BEAM
 S502 1 1/2" = 1'-0"

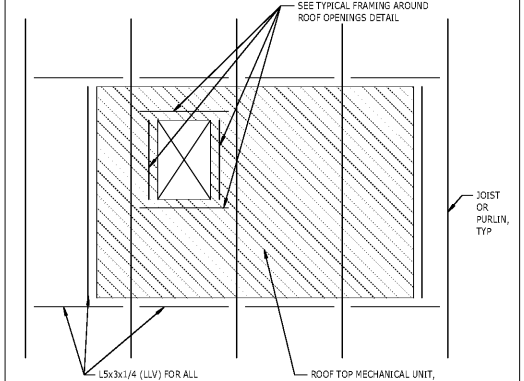


6 TYPICAL JOIST BEARING AT RIDGE
 S502 3/4" = 1'-0"

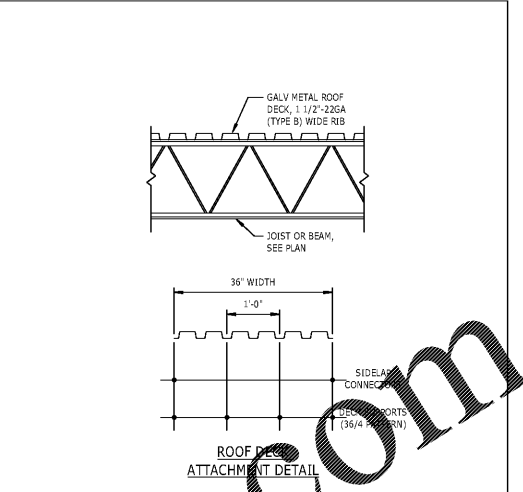


- NOTES:
 1. WHERE POSSIBLE, ALL LOADS ARE TO BE SUPPORTED FROM PANEL POINTS. WHERE NOT POSSIBLE, PROVIDE REINFORCEMENT AS DETAILED.
 2. LOADS LESS THAN 100 LBS REQUIRE NO ADDITIONAL REINFORCING. LOADS LARGER THAN 100 LBS PER JOIST REQUIRE SPECIAL SUPPORT CONDITIONS TO BE APPROVED BY THE ENGINEER OF RECORD.
 3. BOTTOM CHORDS EXTENDING UNSUPPORTED PAST THE FIRST BOTTOM PANEL POINT TOWARD JOIST BEARING LOCATION ARE NOT TO BE USED TO SUPPORT ANY LOAD WITHOUT WRITTEN PERMISSION FROM THE ENGINEER OF RECORD.

7 TYPICAL JOIST REINFORCING AT POINT LOADS
 S502 3/4" = 1'-0"

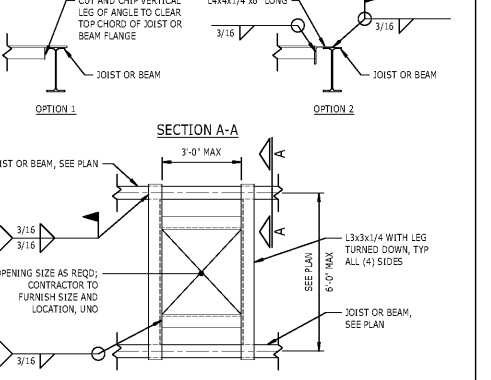


8 TYPICAL ROOF TOP MECHANICAL UNIT FRAMING
 S502 3/4" = 1'-0"

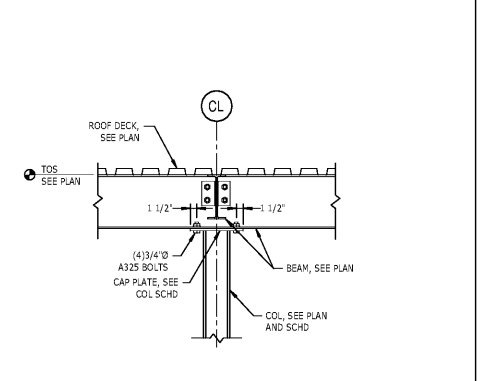


- NOTES:
 1. AT ALL DECK SUPPORTING MEMBERS WITH SELF-DRILLING SELF-TAPPING HEX HEAD SCREWS, USE #12-24 FOR DECK ATTACHMENT TO SUPPORTS AND #10 FOR SIDELAP ATTACHMENT.
 2. AT DECK BEARING SUPPORTS, PROVIDE SCREWS @ 12" OC (36" PATTERN).
 3. AT DECK BEARING SUPPORTS, PROVIDE SCREWS @ 12" OC, TYPICAL.
 4. AT DECK SIDELAPS/PERIMETER EDGE, PROVIDE SCREWS @ 12" OC, TYPICAL.
 5. WELDING OF SIDELAPS IS NOT PERMITTED FOR Z25A DECK.
 6. MINIMUM DECK PROPERTIES: 1 1/2" Z2 GAGE; I_p=0.155 in⁴/ft; S_p=0.186 in³/ft; I_n=0.183 in⁴/ft; S_n=0.192 in³/ft; F_y=33 ksi.
 7. DECK SHALL BE CONTINUOUS OVER (2) OR MORE SPANS, TYPICAL.
 8. 5/8" Ø RIBBLE WELDS MAY BE USED FOR DECK ATTACHMENT TO SUPPORTS AT SAME SPACING SPECIFIED ABOVE. SIDELAP FASTENING MUST BE SCREWED AS DESCRIBED ABOVE.
 9. CONTRACTOR OPTION TO SUBMIT MECHANICAL FASTENERS BY HILT, SIMSON STRONG-TIE, OR APPROVED EQUAL. SUBSTITUTION REQUESTS FOR PRODUCTS MAY BE SUBMITTED BY THE CONTRACTOR TO THE ENGINEER-OF-RECORD (EOR) FOR REVIEW. SUBSTITUTIONS WILL ONLY BE CONSIDERED FOR PRODUCTS THAT MEET THE CODE REQUIREMENTS FOR DECK ATTACHMENT, POSSESS A FM GLOBAL APPROVAL AND POSSESS A CODE REPORT (ICC-ES) RECOGNIZING THE PRODUCT FOR THE APPROPRIATE APPLICATION. SUBSTITUTION REQUESTS SHALL INCLUDE CALCULATIONS THAT DEMONSTRATE THE SUBSTITUTED PRODUCT IS CAPABLE OF ACHIEVING THE EQUIVALENT PERFORMANCE VALUES OF THE DESIGN BASIS PRODUCT. CONTRACTOR SHALL CONTACT MANUFACTURER'S REPRESENTATIVE FOR PRODUCT INSTALLATION TRAINING AND A LETTER SHALL BE SUBMITTED TO THE EOR INDICATING TRAINING HAS TAKEN PLACE. FASTENERS SHALL BE COLLECTED AND INSTALLED USING THE MANUFACTURER'S DELIVERY TOOL AND FOLLOWING MANUFACTURER'S INSTRUCTIONS.

1 TYPICAL ROOF CONSTRUCTION, 1 1/2" DECK
 S502 3/4" = 1'-0"



3 TYPICAL FRAMING AROUND DECK OPENINGS, 1 1/2" DECK
 S502 3/4" = 1'-0"
 NOTES:
 1. PROVIDE ANGLE FRAMING AROUND ALL OPENINGS LARGER THAN 10"x10" (10" Ø).



4 TYPICAL BEAM CANTILEVERED OVER COLUMN
 S502 3/4" = 1'-0"

Order Plans



STEWART
 101 N TRYON ST F 704.334.9225
 SUITE 1100 CHARLOTTE, NC 28202
 515957

RENOVATION AND
 ADDITION FOR
**ABERDEEN
 POLICE
 DEPARTMENT**

804 N. Sandhills Blvd.
 Aberdeen, NC 28315



STEEL ROOF DETAILS

DATE: 10.25.19
 PROJECT NO: 18062

REVISIONS
 NO. DATE DESCRIPTION:

THIS DRAWING IS THE PROPERTY OF ADW ARCHITECTS, P.A. AND SHALL NOT BE REPRODUCED OR COPIED IN WHOLE OR PART. IT SHALL NOT BE USED ON ANY OTHER PROJECT OR GIVEN TO ANY OTHER COMPANY OR AGENCY WITHOUT THE CONSENT OF ADW ARCHITECTS, P.A.

SHEET NUMBER
S502