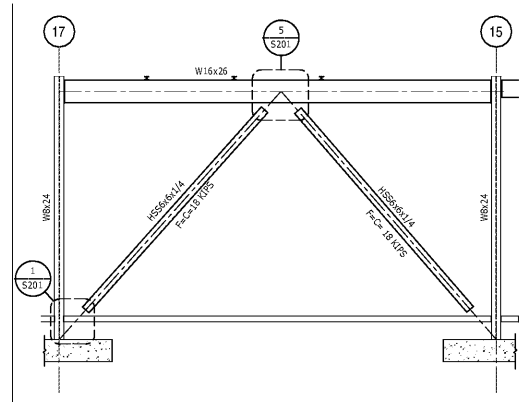
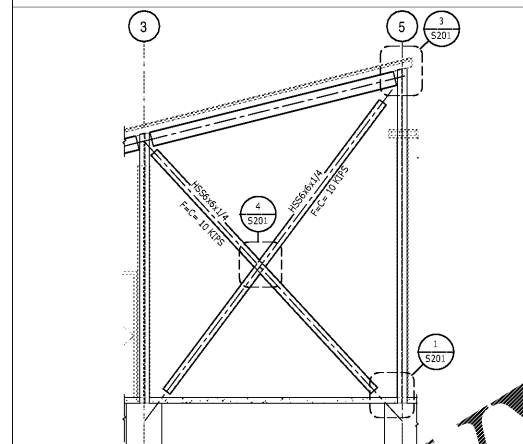


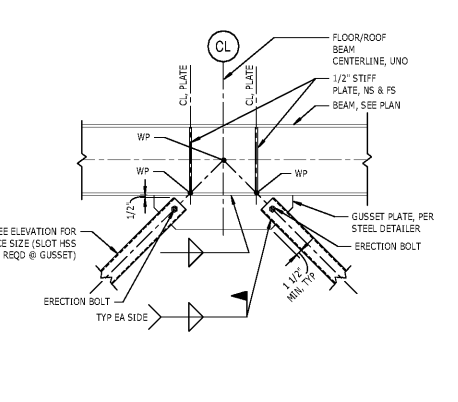
13 VF 7 ALONG GRID LINE 2
S201 1/2" = 1'-0"



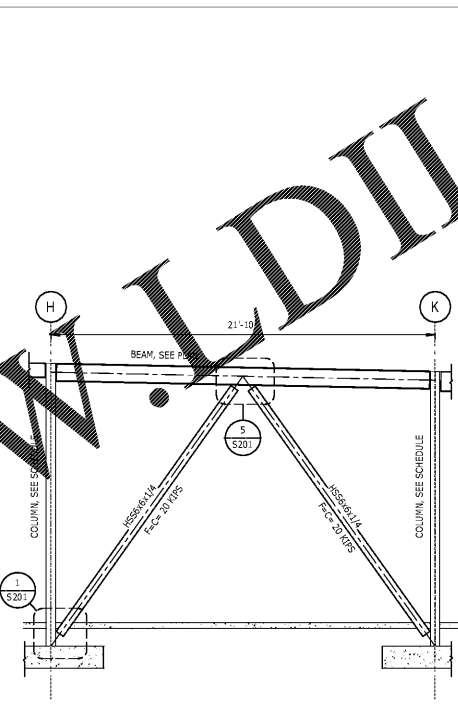
9 VF 3 ALONG GRID LINE N
S201 1/4" = 1'-0"



10 VF 4 ALONG GRID LINE J
S201 1/4" = 1'-0"

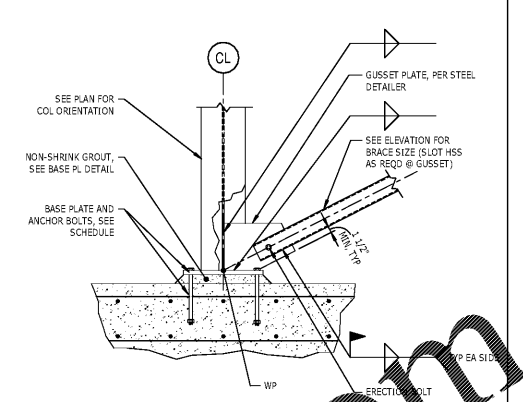


5 TYPICAL BRACE CONNECTION AT BEAM
S201 3/4" = 1'-0"
NOTES:
1. "WP" INDICATES WORK POINT FOR MEMBER CENTROIDS.

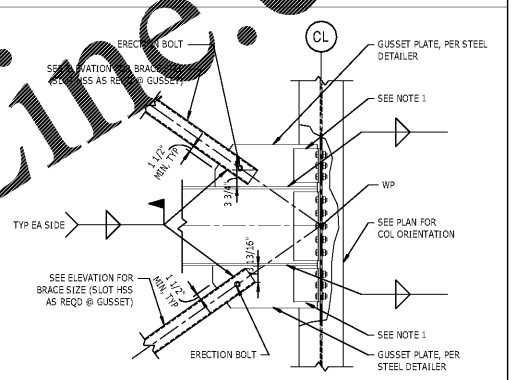


6 VF 1 ALONG GRID LINE 7
S201 1/4" = 1'-0"

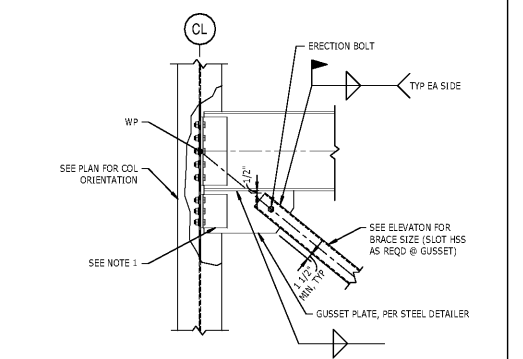
NOTES:
1. CENTROIDS OF MEMBERS SHALL COINCIDE, UNO.
2. (NO) INDICATES BRACE AXIAL FORCE (IN KIPS). "T" DENOTES THE BRACE IS IN TENSION. "C" DENOTES THE BRACE IS IN COMPRESSION.
3. "NO" INDICATES BEAM REACTION (IN KIPS).
4. "T" INDICATES TRANSFER FORCE (IN KIPS) FROM ADJACENT BEAM.
5. FABRICATOR SHALL DESIGN ALL BEAM TO COLUMN CONNECTIONS WITHIN VERTICAL FRAME TO SUPPORT THE HORIZONTAL AND VERTICAL COMPONENTS OF THE BRACE FORCE PLUS THE BEAM REACTION SHOWN ON THE ELEVATION. ALLOWABLE STRESS INCREASES OR LOAD REDUCTIONS ARE NOT PERMITTED.



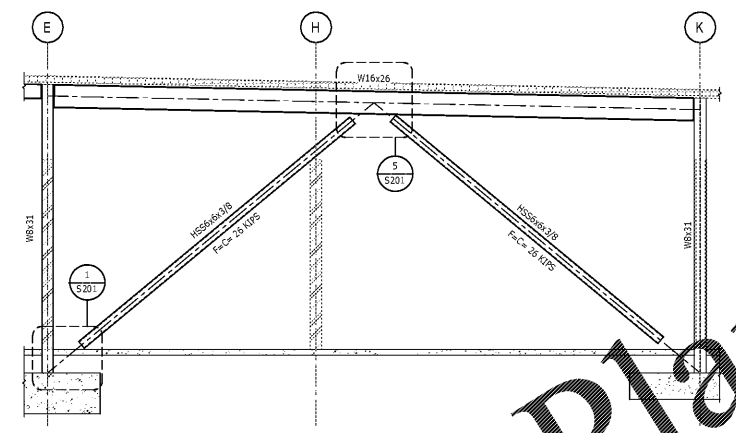
1 TYPICAL BRACE CONNECTION AT BASE
S201 3/4" = 1'-0"
NOTES:
1.



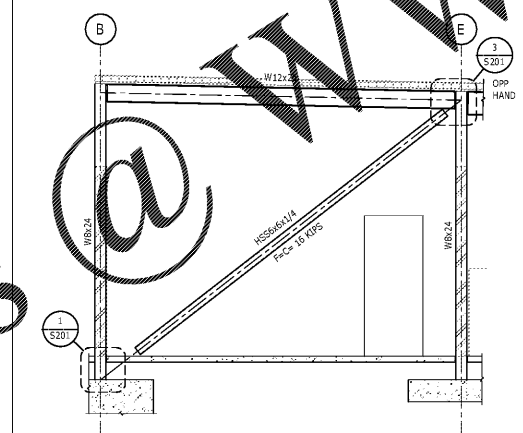
2 TYPICAL BRACE CONNECTION AT BEAM
S201 3/4" = 1'-0"
NOTES:
1. DETAILER TO DESIGN BEAM TO COLUMN CONNECTION FOR FORCES AS NOTED ON S201, S202, S203 ELEVATIONS. IT IS ACCEPTABLE TO PROVIDE GUSSET TO COLUMN CONNECTION.



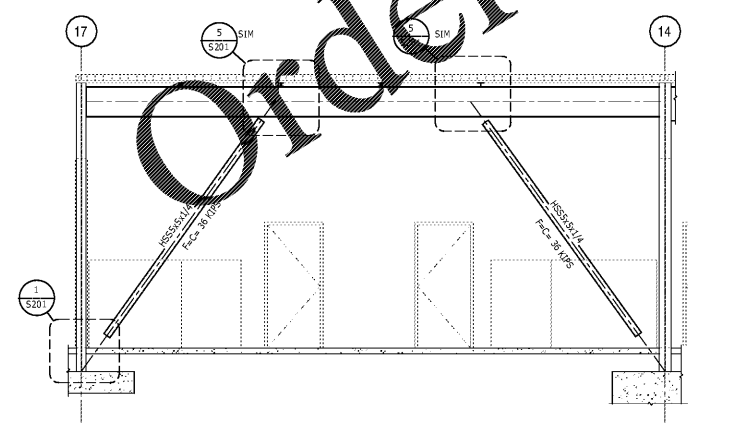
3 TYPICAL BRACE CONNECTION AT BEAM
S201 3/4" = 1'-0"
NOTES:
1. DETAILER TO DESIGN BEAM TO COLUMN CONNECTION FOR FORCES AS NOTED ON S201, S202, S203 ELEVATIONS. IT IS ACCEPTABLE TO PROVIDE GUSSET TO COLUMN CONNECTION.



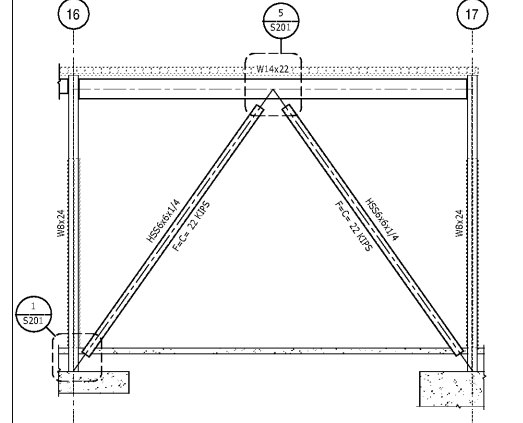
15 VF 8 ALONG GRID LINE 14
S201 1/4" = 1'-0"



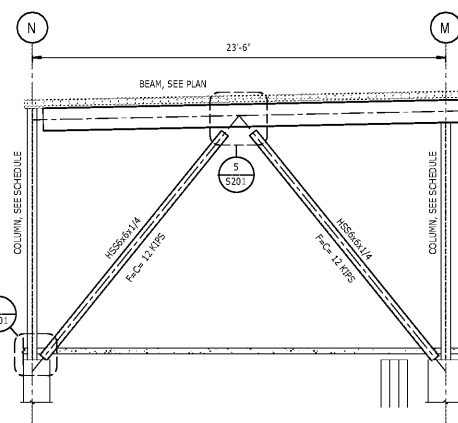
11 VF 5 ALONG GRID LINE 17
S201 1/4" = 1'-0"



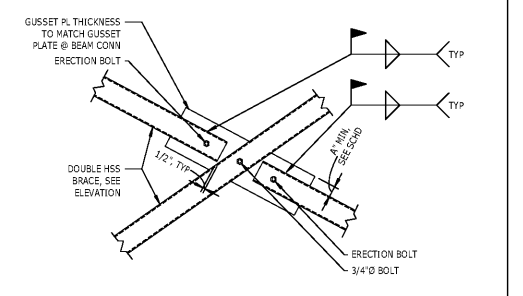
16 VF 9 ALONG GRID LINE E
S201 1/4" = 1'-0"



12 VF 6 ALONG GRID LINE B
S201 1/4" = 1'-0"

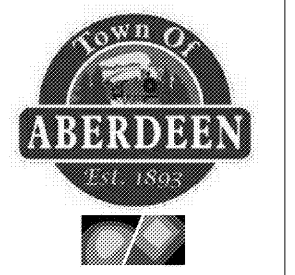


8 VF 2 ALONG GRID LINE 4
S201 1/4" = 1'-0"



4 TYPICAL BRACE INTERSECTION
S201 3/4" = 1'-0"
NOTES:

adwarchitects
environments: life
architecture planning interiors
2815 COLISEUM CENTRE DRIVE
SUITE 500
CHARLOTTE, NORTH CAROLINA 28217
P 704.379.1919
F 704.379.1920
www.adwarchitects.com



STEWART
101 N TRYON ST SUITE 1100 CHARLOTTE, NC 28202 T 704.334.7925 FIRM LICENSE #C-15513 519357

RENOVATION AND ADDITION FOR
ABERDEEN POLICE DEPARTMENT

804 N. Sandhills Blvd.
Aberdeen, NC 28315



STEEL ELEVATIONS

DATE: 10.25.19
PROJECT NO: 18062

REVISIONS
NO. DATE DESCRIPTION:

THIS DRAWING IS THE PROPERTY OF ADW ARCHITECTS, P.A. AND SHALL NOT BE REPRODUCED OR COPIED IN WHOLE OR PART. IT SHALL NOT BE USED ON ANY OTHER PROJECT OR GIVEN TO ANY OTHER COMPANY OR AGENCY WITHOUT THE CONSENT OF ADW ARCHITECTS, P.A.

SHEET NUMBER
S201