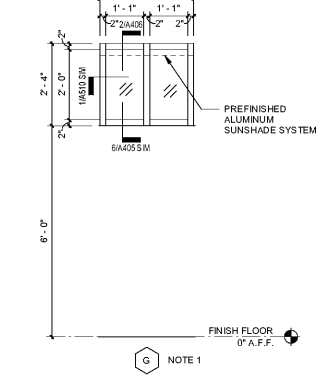
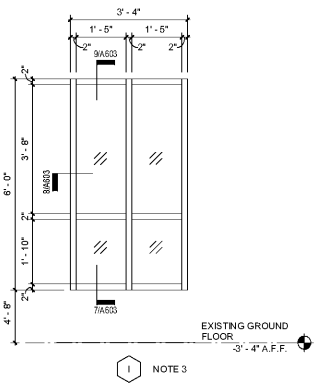


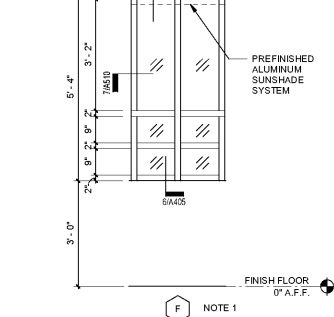
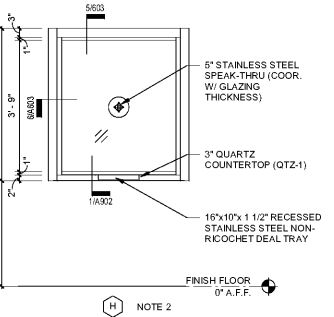
WINDOW NOTES:

1. PREFINISHED ALUMINUM STOREFRONT WINDOW SYSTEM W/ INSULATED LOW-E GLAZING
2. CLEAR ANODIZED UL 752 LEVEL IV BULLET RESISTANT ALUMINUM STOREFRONT WINDOW SYSTEM WITH UL 752 LEVEL IV BULLET RESISTANT GLAZING EQUAL TO UNITED STATES BULLET PROOFING, INC. USAW 400 SERIES.
3. CLEAR ANODIZED ALUMINUM STOREFRONT WINDOW SYSTEM W/ 1/4" TEMPERED GLAZING
4. SEE FINISH PLANS FOR WINDOW SHADE LOCATIONS.
5. COORDINATE MULLION REQUIREMENT W/ CONCEALED OVERHEAD CLOSER & MOTOR OPERATED DOOR.
6. T = TEMPERED



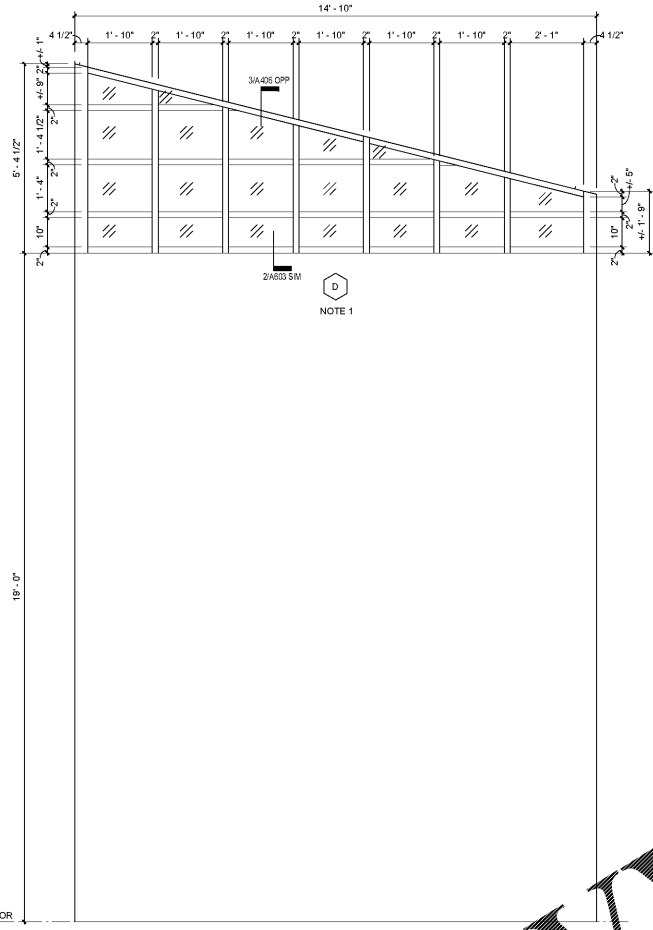
WIN. ELEVATION | 1/2" = 1'-0" | 9

WIN. ELEVATION | 1/2" = 1'-0" | 7

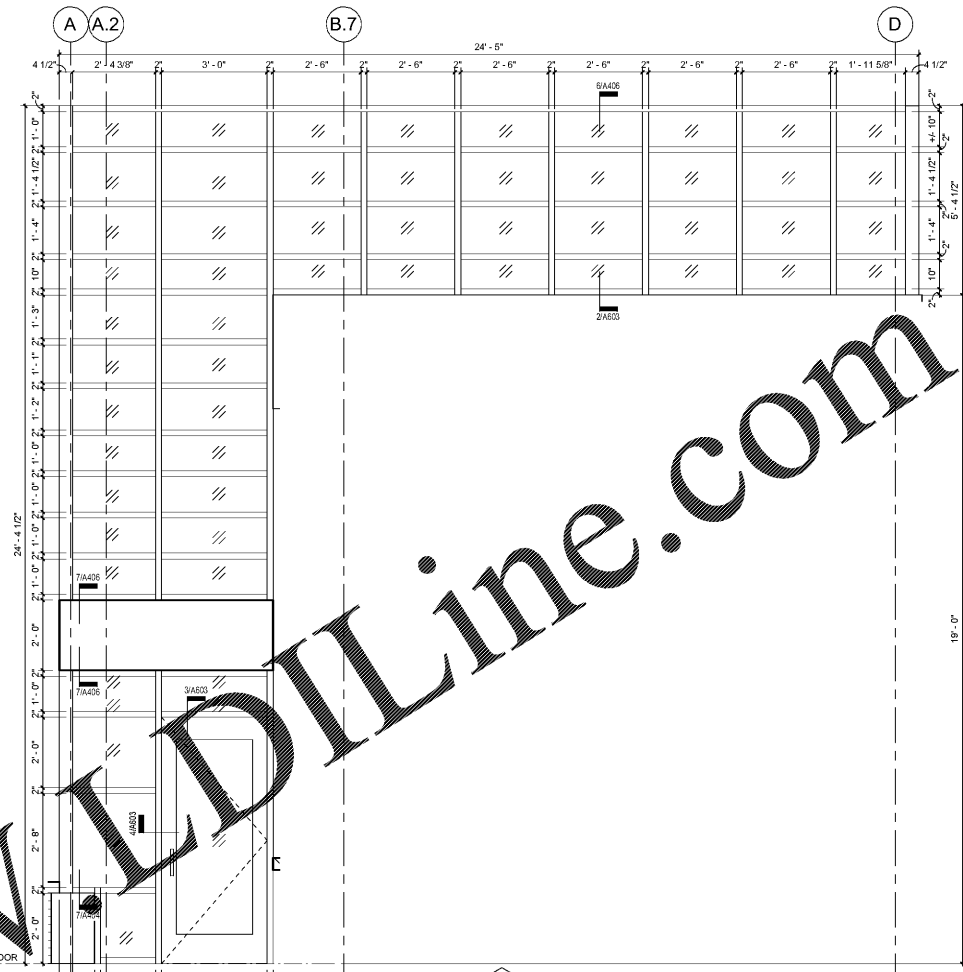


WIN. ELEVATION | 1/2" = 1'-0" | 8

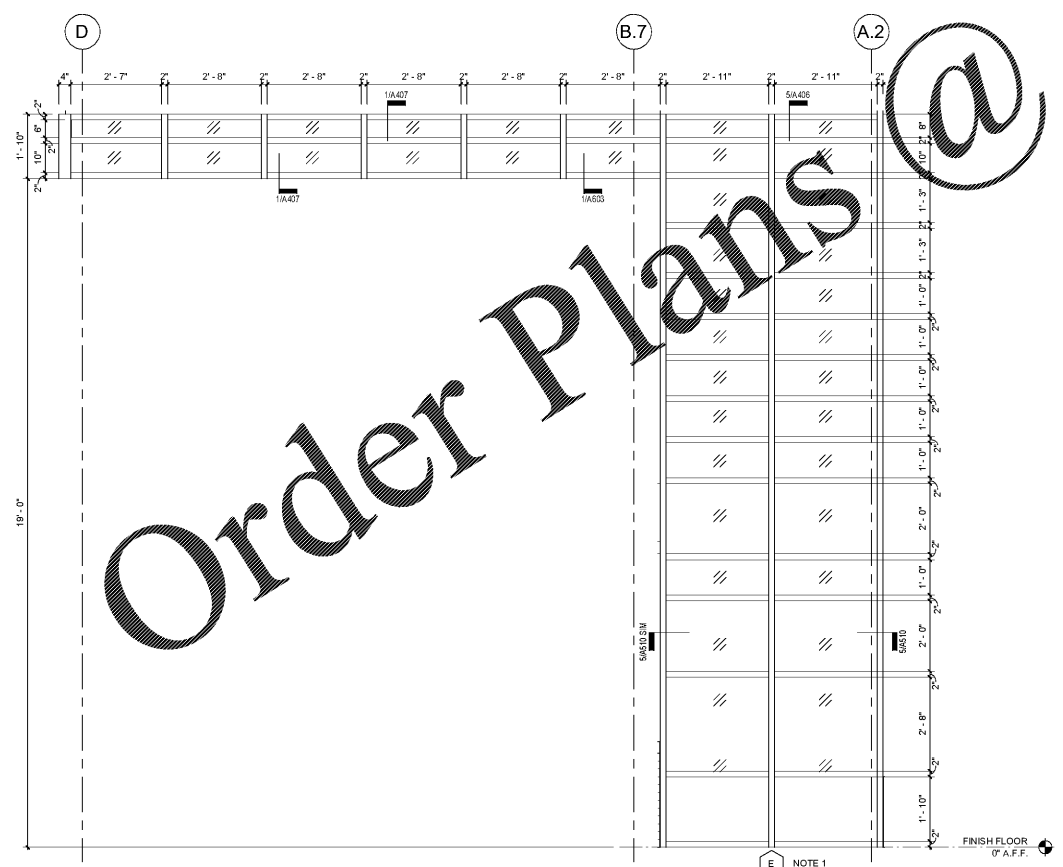
WIN. ELEVATION | 1/2" = 1'-0" | 6



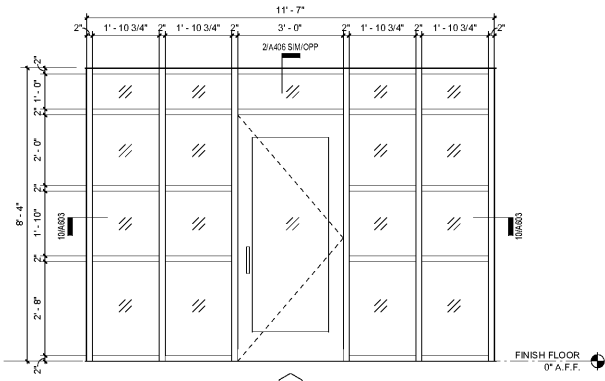
WINDOW ELEVATION | 1/2" = 1'-0" | 4



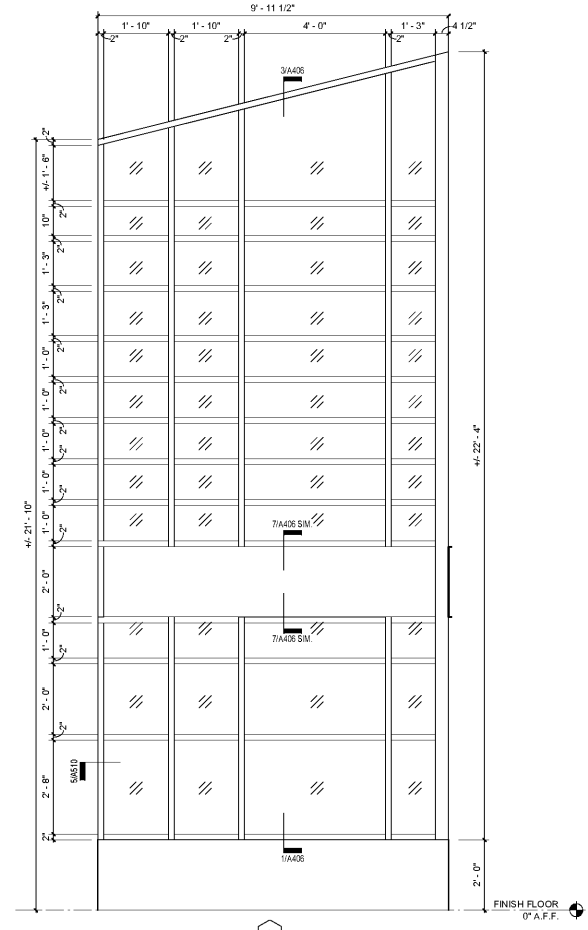
WINDOW ELEVATION | 1/2" = 1'-0" | 2



WINDOW ELEVATION | 1/2" = 1'-0" | 5

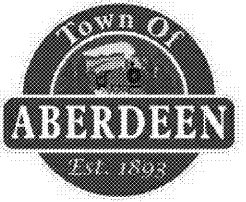


WINDOW ELEVATION | 1/2" = 1'-0" | 3



WINDOW ELEVATION | 1/2" = 1'-0" | 1

Order Plans @ www.WWWDIline.com



A NEW POLICE FACILITY FOR
ABERDEEN POLICE DEPARTMENT

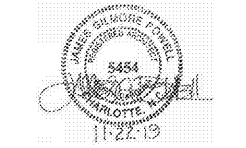
804 N. Sandhills Blvd.
Aberdeen, NC 28315

WINDOW ELEVATIONS

DATE: 11-22-2019
PROJECT NO: 18062

REVISIONS
NO. DATE DESCRIPTION:

THIS DRAWING IS THE PROPERTY OF ADW ARCHITECTS, P.A. AND SHALL NOT BE REPRODUCED OR COPIED IN WHOLE OR PART. IT SHALL NOT BE USED ON ANY OTHER PROJECT OR GIVEN TO ANY OTHER COMPANY OR AGENCY WITHOUT THE CONSENT OF ADW ARCHITECTS, P.A.



SHEET NUMBER

A602