

A NEW POLICE FACILITY FOR
ABERDEEN POLICE DEPARTMENT

804 N. Sandhills Blvd.
Aberdeen, NC 28315

STAIR AND RAMP SECTIONS AND DETAILS

DATE: 11-22-2019
PROJECT NO: 18062

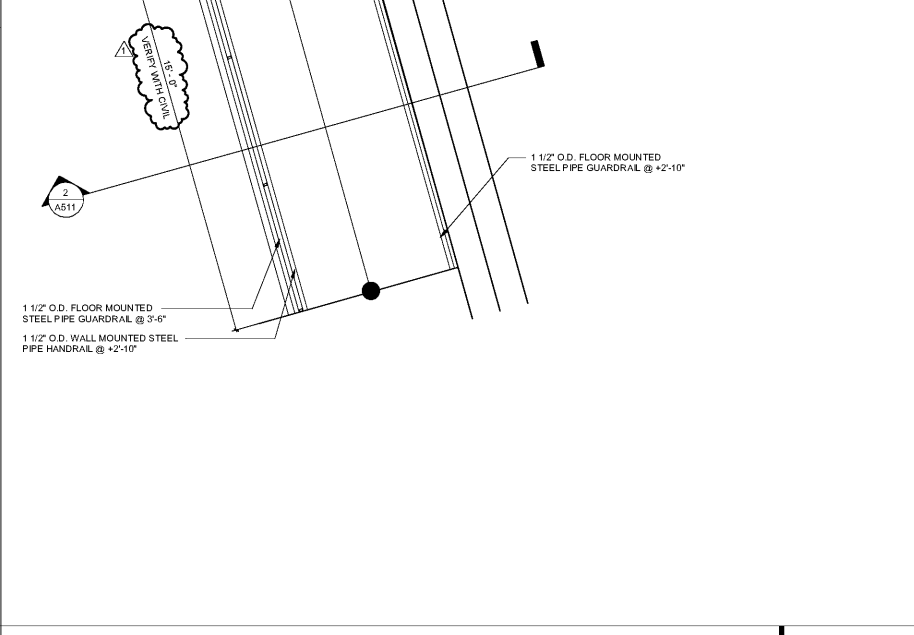
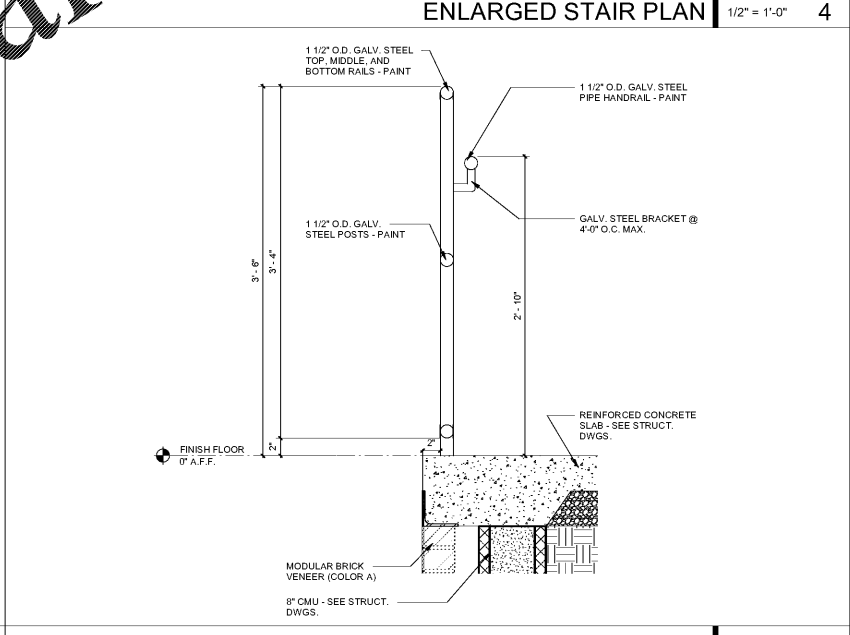
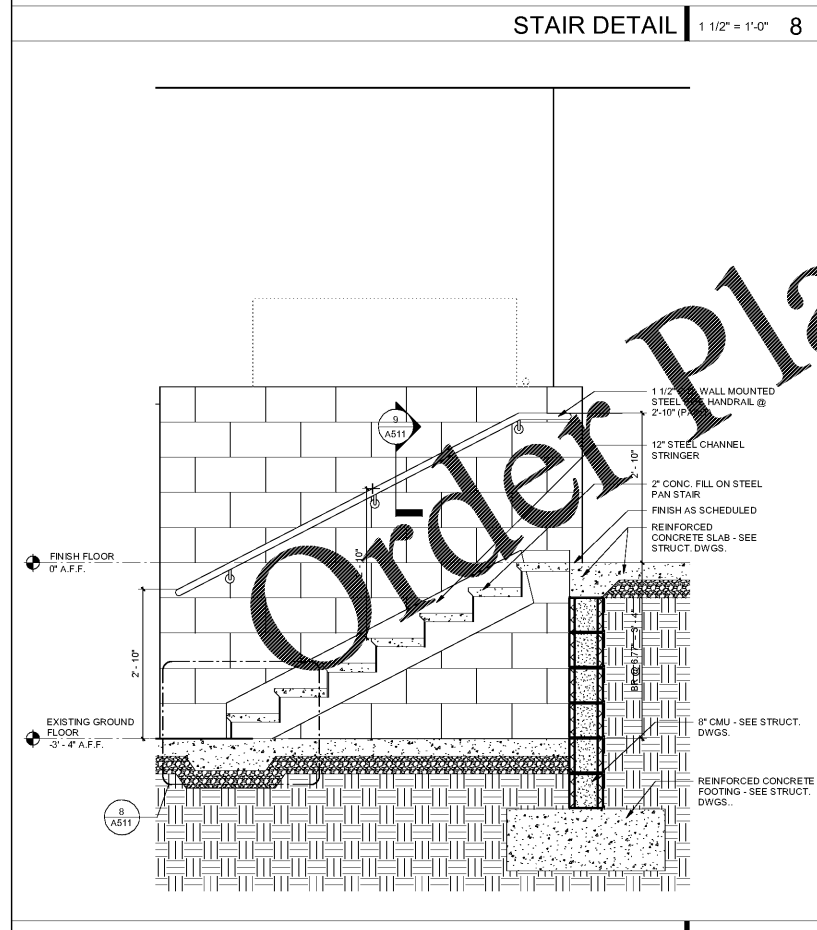
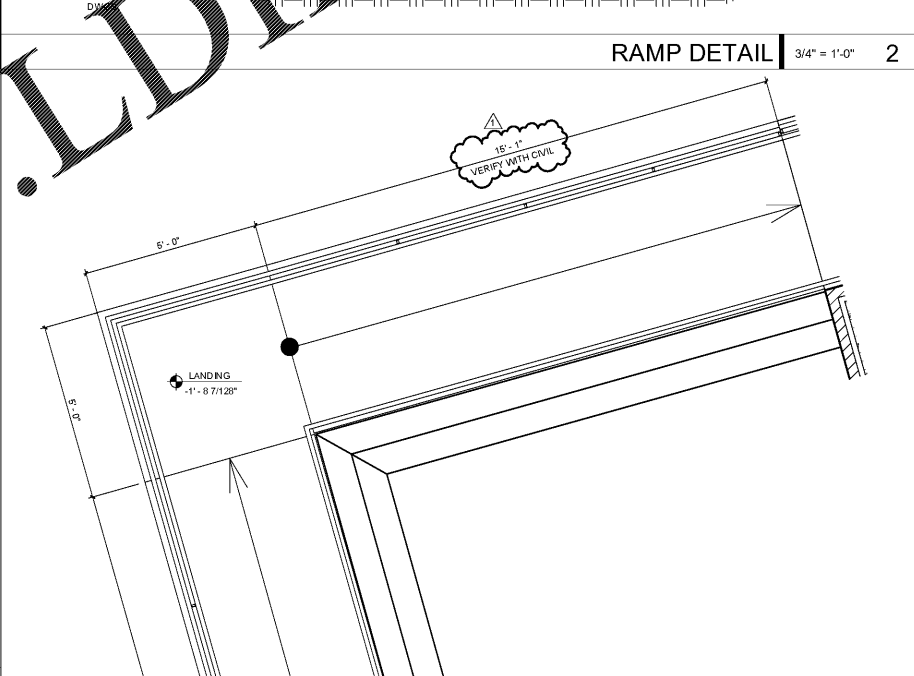
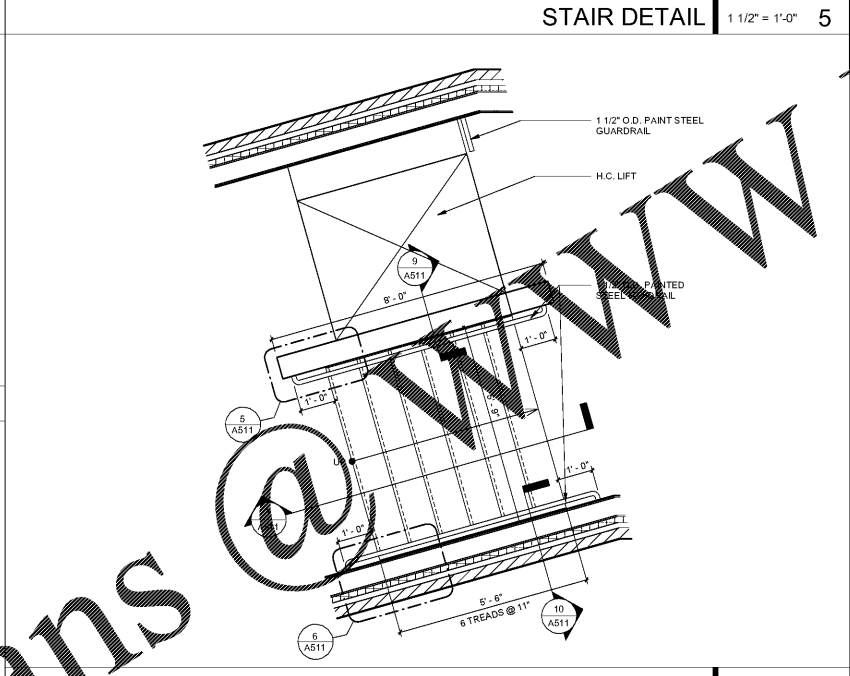
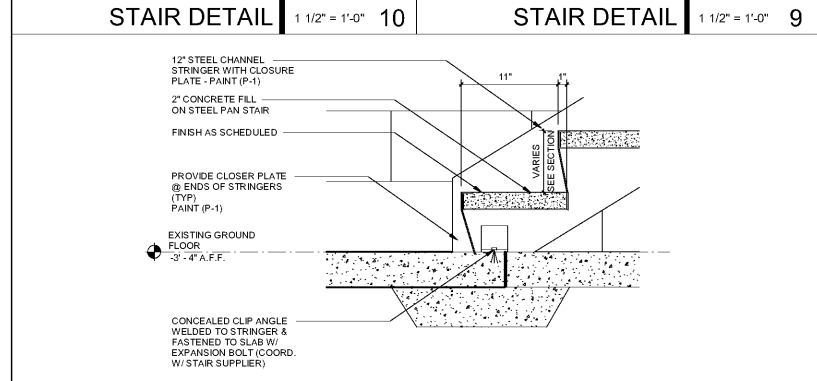
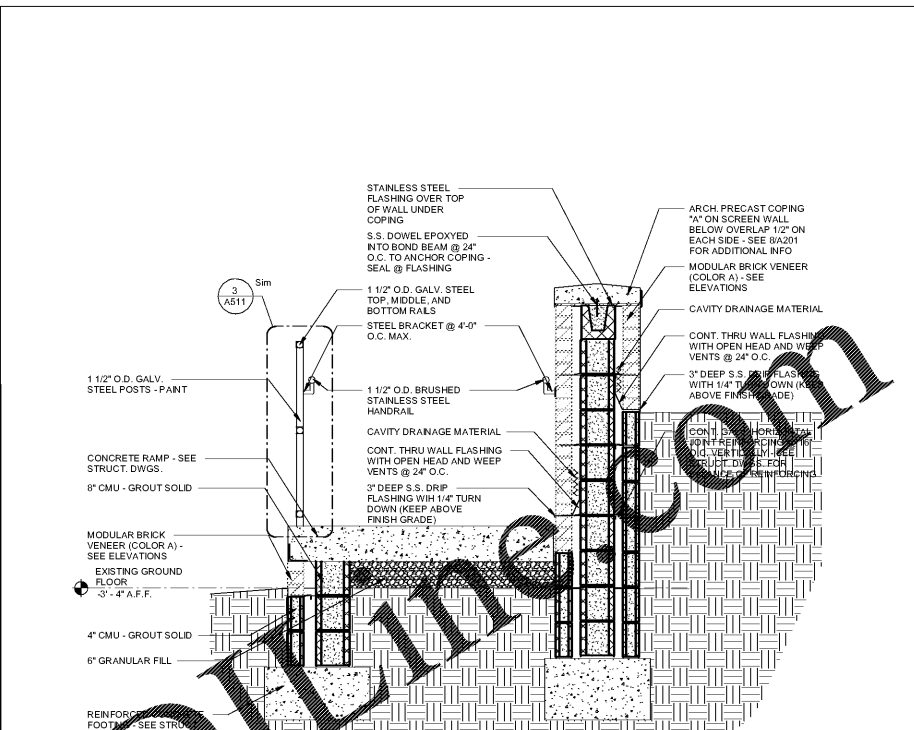
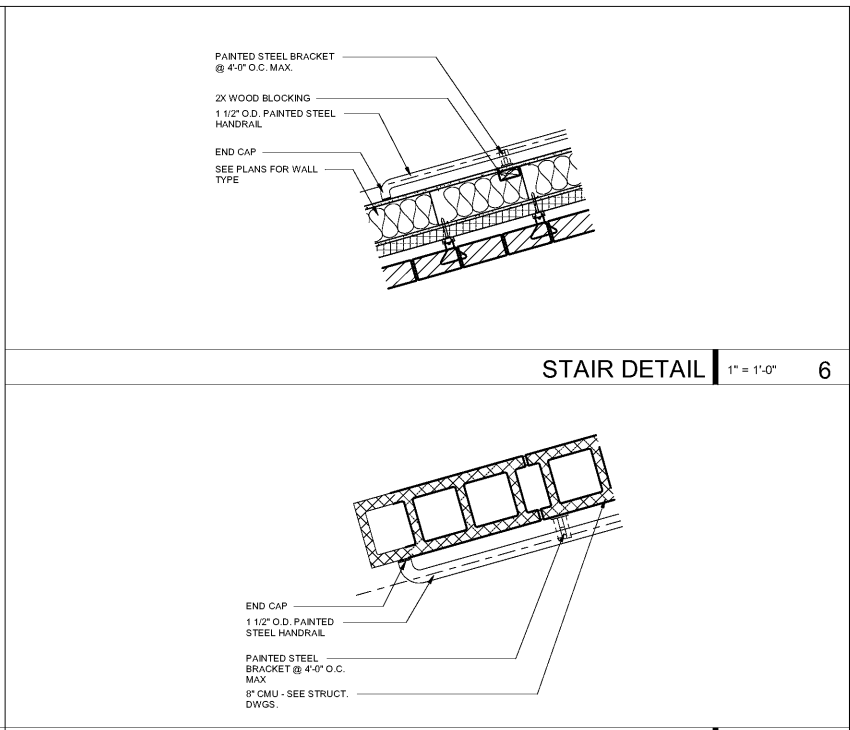
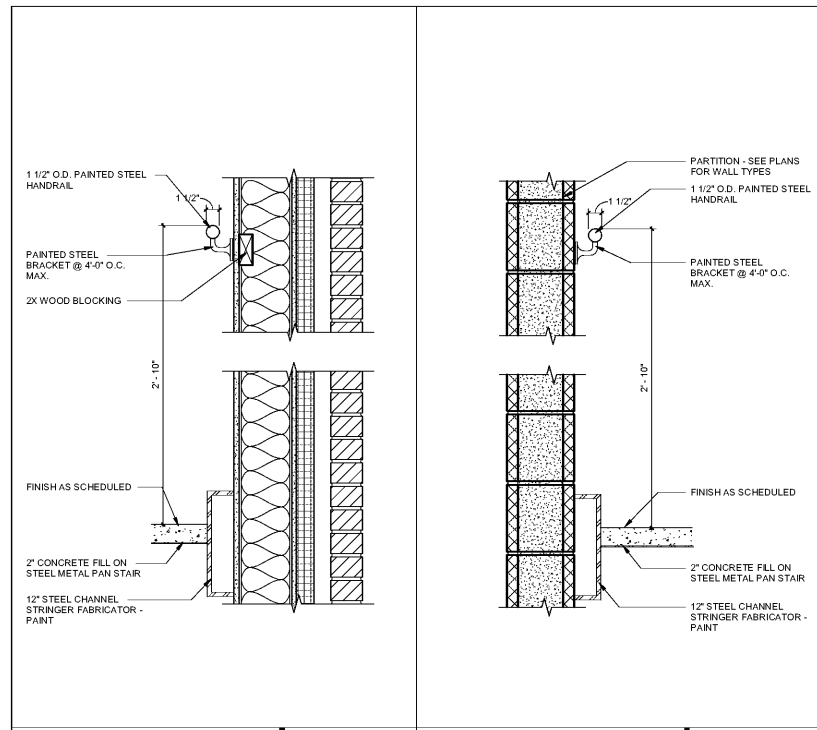
REVISIONS		
NO.	DATE	DESCRIPTION
1	12.20.19	COORDINATION

THIS DRAWING IS THE PROPERTY OF ADW ARCHITECTS, P.A. AND SHALL NOT BE REPRODUCED OR COPIED IN WHOLE OR PART. IT SHALL NOT BE USED ON ANY OTHER PROJECT OR GIVEN TO ANY OTHER COMPANY OR AGENCY WITHOUT THE CONSENT OF ADW ARCHITECTS, P.A.



SHEET NUMBER

A511



Order Plans

www.LDilme.com