

A NEW POLICE FACILITY FOR
ABERDEEN POLICE DEPARTMENT

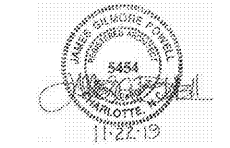
804 N. Sandhills Blvd.
Aberdeen, NC 28315

ENLARGED PLAN DETAILS

DATE: 11-22-2019
PROJECT NO: 18062

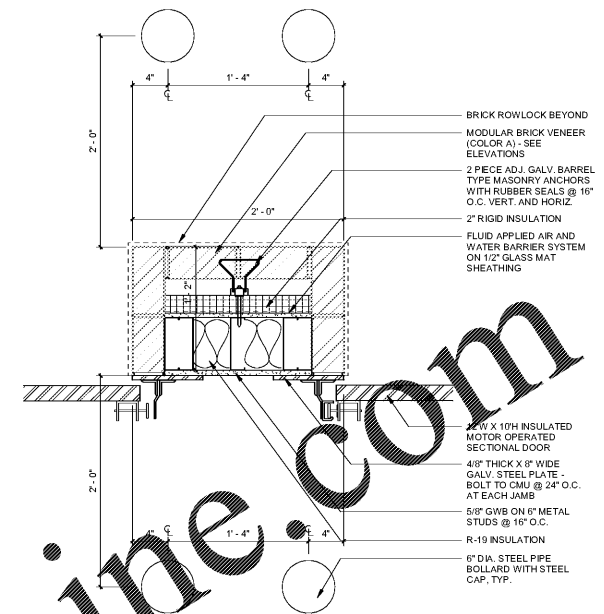
REVISIONS
NO. DATE DESCRIPTION:

THIS DRAWING IS THE PROPERTY OF ADW ARCHITECTS, P.A. AND SHALL NOT BE REPRODUCED OR COPIED IN WHOLE OR PART. IT SHALL NOT BE USED ON ANY OTHER PROJECT OR GIVEN TO ANY OTHER COMPANY OR AGENCY WITHOUT THE CONSENT OF ADW ARCHITECTS, P.A.

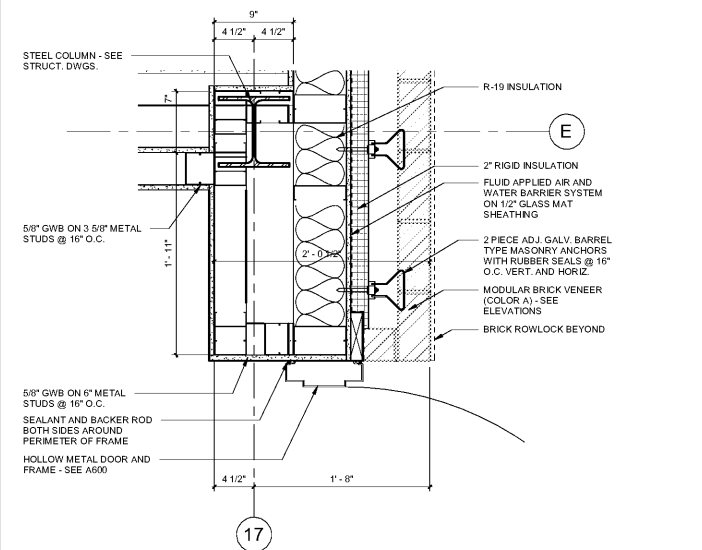


SHEET NUMBER

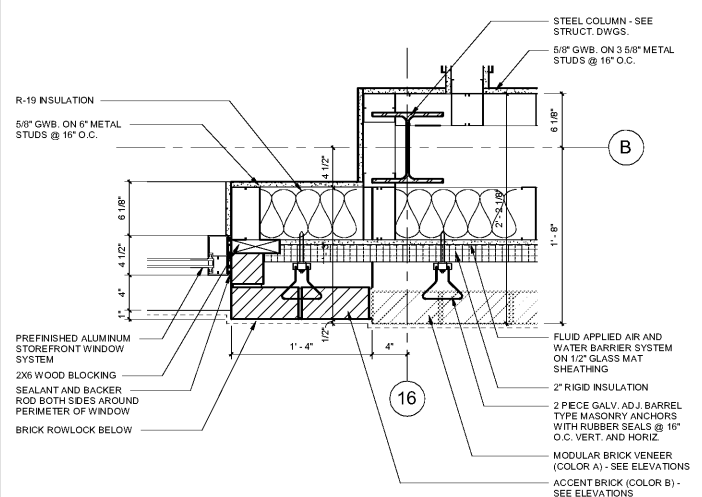
A510



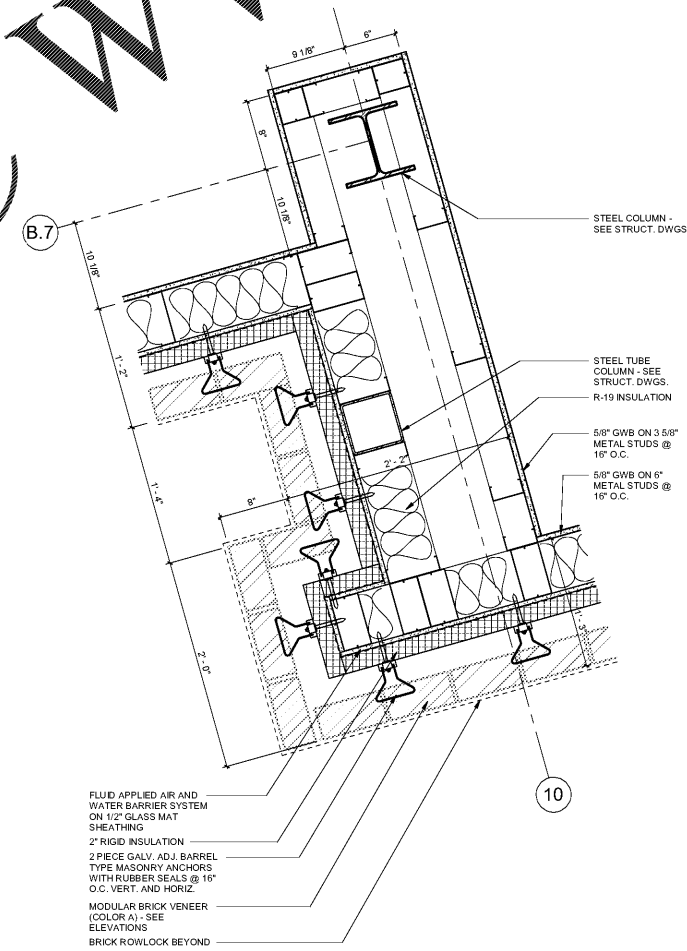
ENLARGED PLAN DETAIL | 1 1/2" = 1'-0" | 3



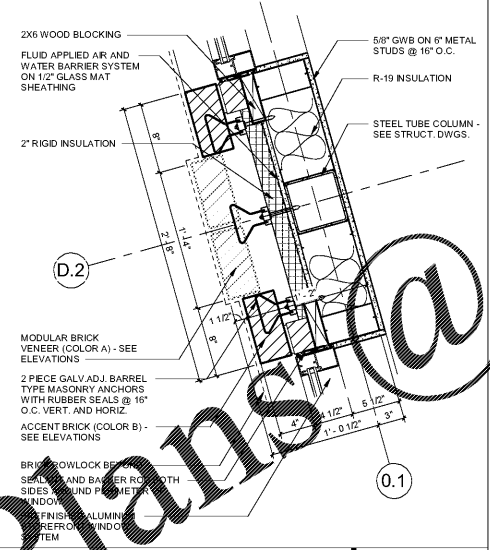
ENLARGED PLAN DETAIL | 1 1/2" = 1'-0" | 2



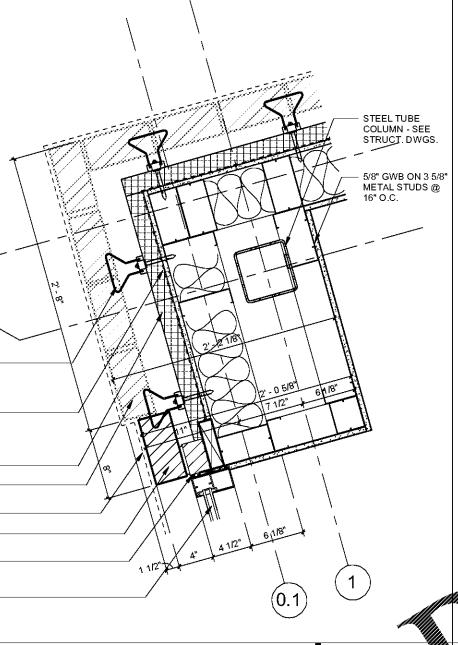
ENLARGED PLAN DETAIL | 1 1/2" = 1'-0" | 1



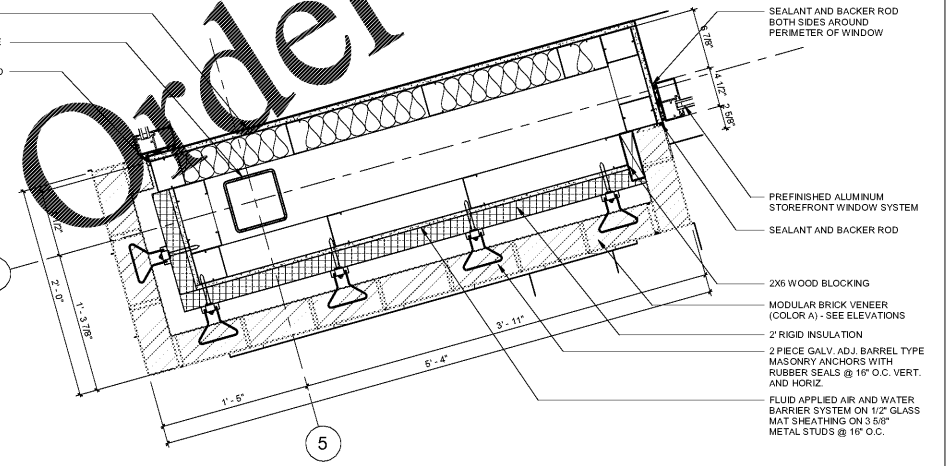
ENLARGED PLAN DETAIL | 1 1/2" = 1'-0" | 4



ENLARGED PLAN DETAIL | 1 1/2" = 1'-0" | 6



ENLARGED PLAN DETAIL | 1 1/2" = 1'-0" | 7



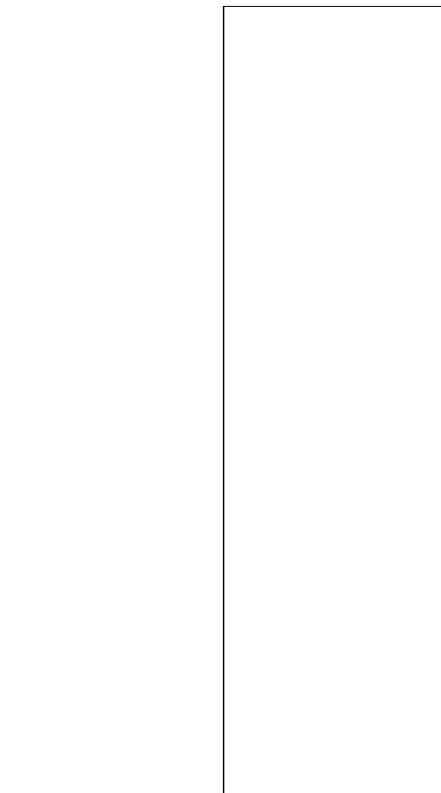
ENLARGED PLAN DETAIL | 1 1/2" = 1'-0" | 5



ENLARGED PLAN DETAIL | 1 1/2" = 1'-0" | 8



ENLARGED PLAN DETAIL | 1 1/2" = 1'-0" | 9



ENLARGED PLAN DETAIL | 1 1/2" = 1'-0" | 10