

A NEW POLICE FACILITY FOR
ABERDEEN POLICE DEPARTMENT

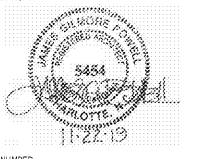
804 N. Sandhills Blvd.
Aberdeen, NC 28315

TOILET ELEVATIONS

DATE: 11-22-2019
PROJECT NO: 18062

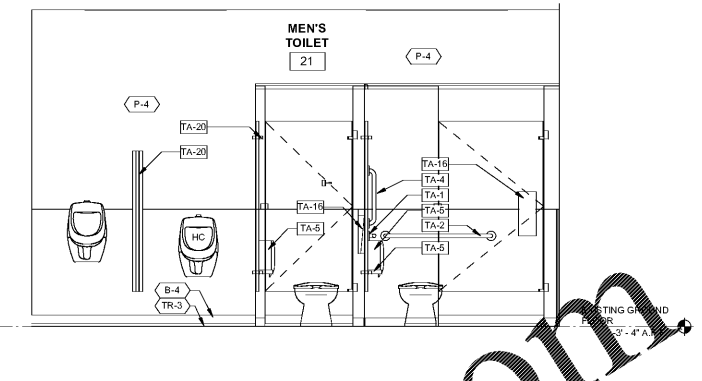
REVISIONS
NO. DATE DESCRIPTION:

THIS DRAWING IS THE PROPERTY OF ADW ARCHITECTS, P.A. AND SHALL NOT BE REPRODUCED OR COPIED IN WHOLE OR PART. IT SHALL NOT BE USED ON ANY OTHER PROJECT OR GIVEN TO ANY OTHER COMPANY OR AGENCY WITHOUT THE CONSENT OF ADW ARCHITECTS, P.A.

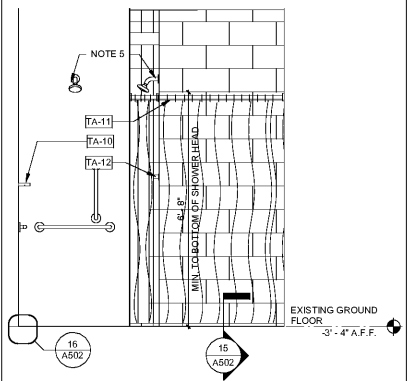


SHEET NUMBER

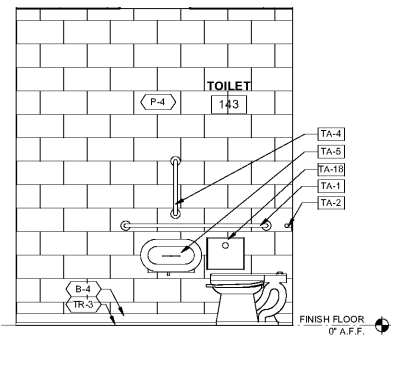
A502



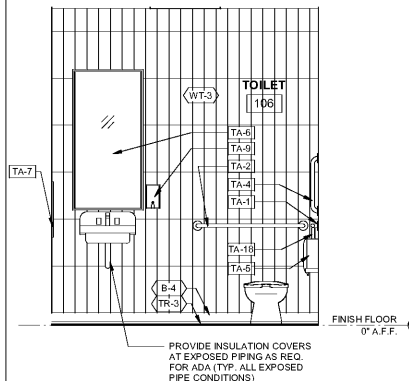
TOILET ELEVATION 1/2" = 1'-0" 4



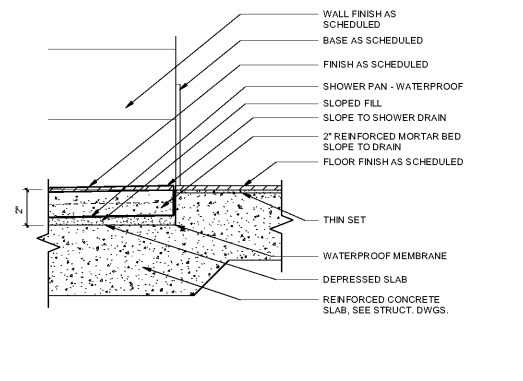
TOILET ELEVATION 1/2" = 1'-0" 8



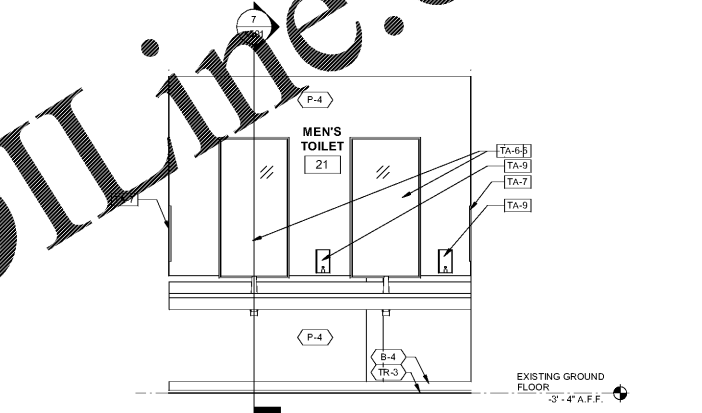
TOILET ELEVATION 1/2" = 1'-0" 10



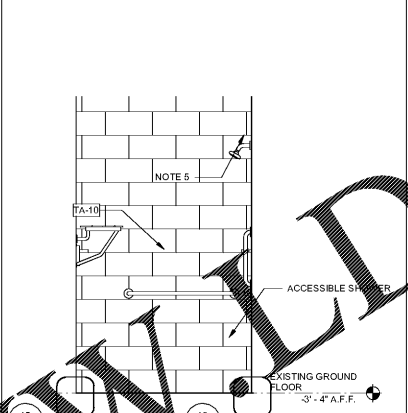
TOILET ELEVATION 1/2" = 1'-0" 14



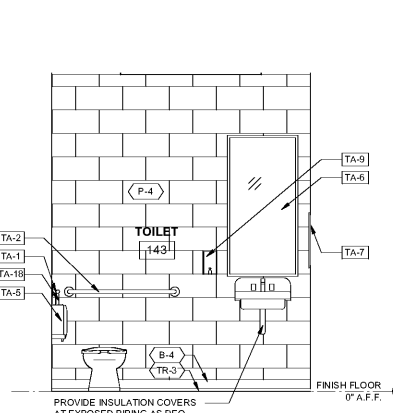
SHOWER DETAIL 3" = 1'-0" 16



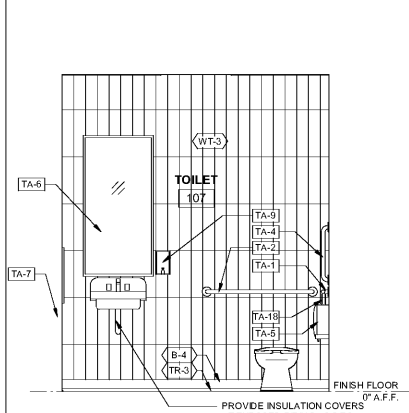
TOILET ELEVATION 1/2" = 1'-0" 3



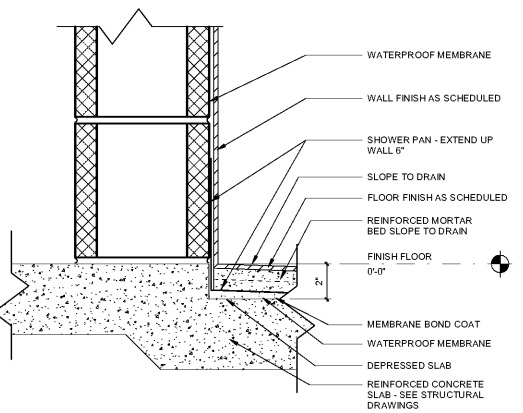
TOILET ELEVATION 1/2" = 1'-0" 7



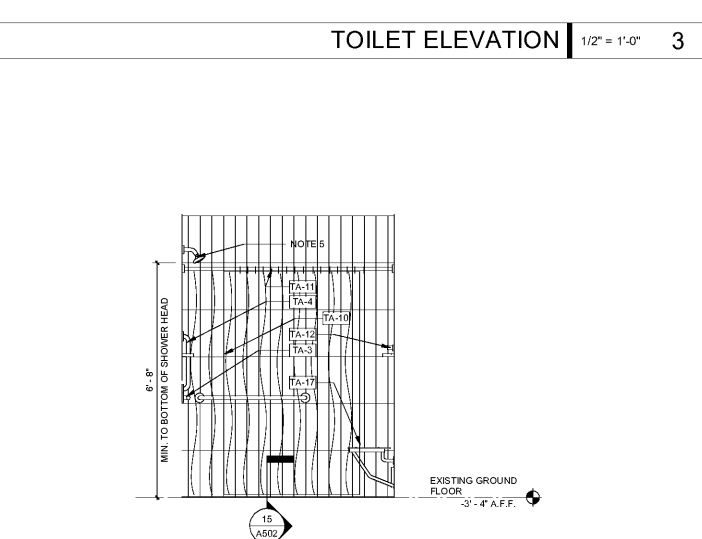
TOILET ELEVATION 1/2" = 1'-0" 9



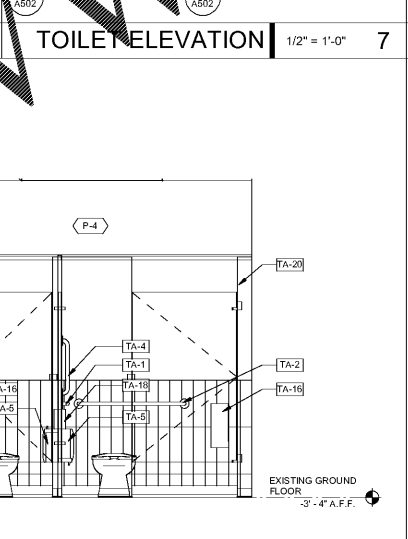
TOILET ELEVATION 1/2" = 1'-0" 13



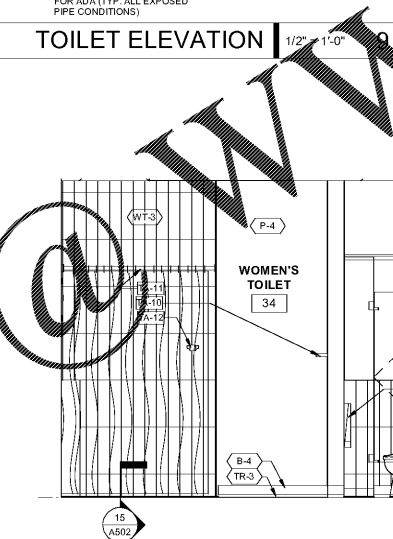
SHOWER DETAIL_3 3" = 1'-0" 15



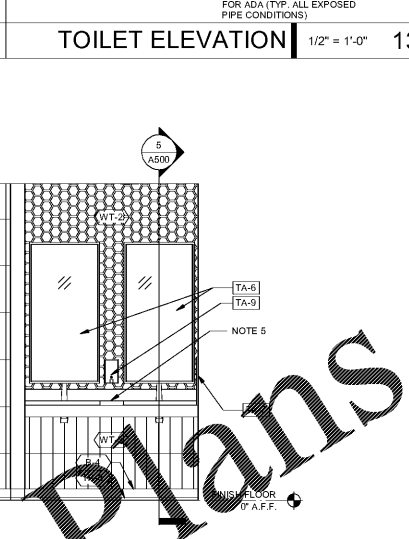
TOILET ELEVATION 1/2" = 1'-0" 2



TOILET ELEVATION 1/2" = 1'-0" 6



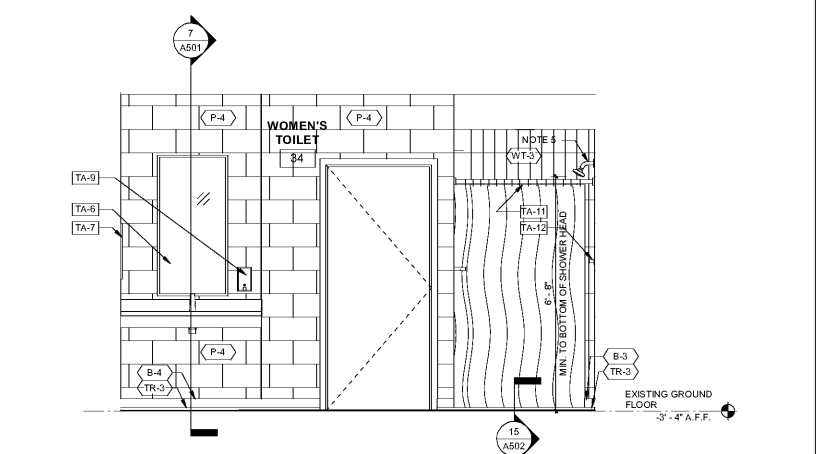
TOILET ELEVATION 1/2" = 1'-0" 12



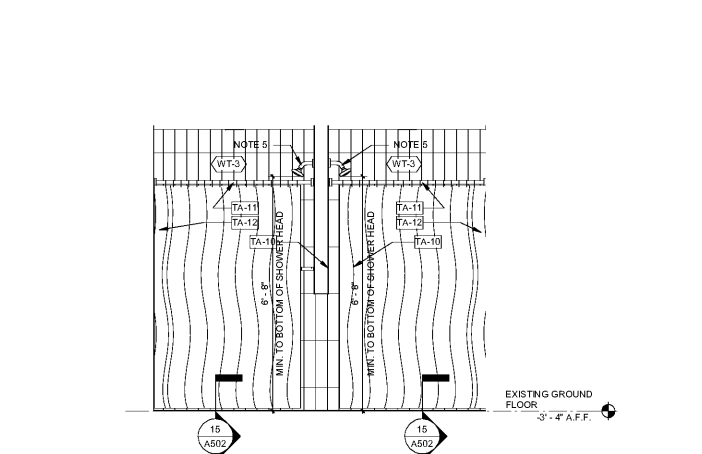
TOILET ELEVATION 1/2" = 1'-0" 11



TOILET ELEVATION 1/2" = 1'-0" 11



TOILET ELEVATION 1/2" = 1'-0" 5



TOILET ELEVATION 1/2" = 1'-0" 1

Order Plans

WWW.WLDIline.com