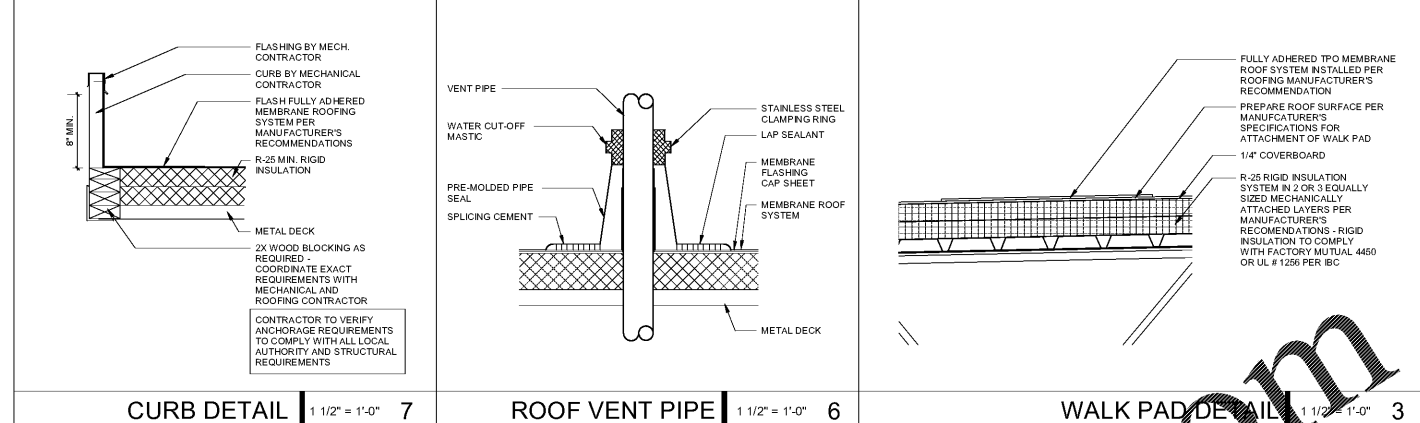


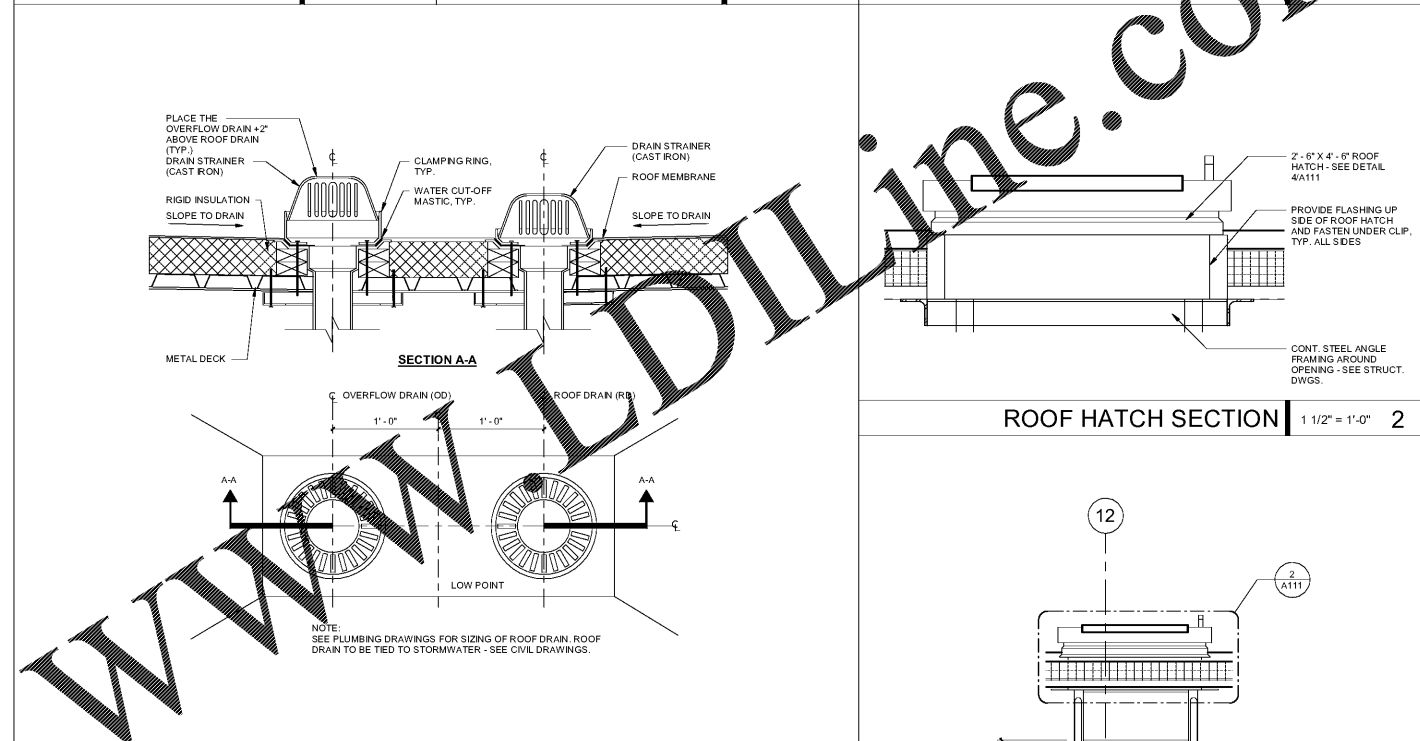
Order Plans @



CURB DETAIL 1 1/2" = 1'-0" 7

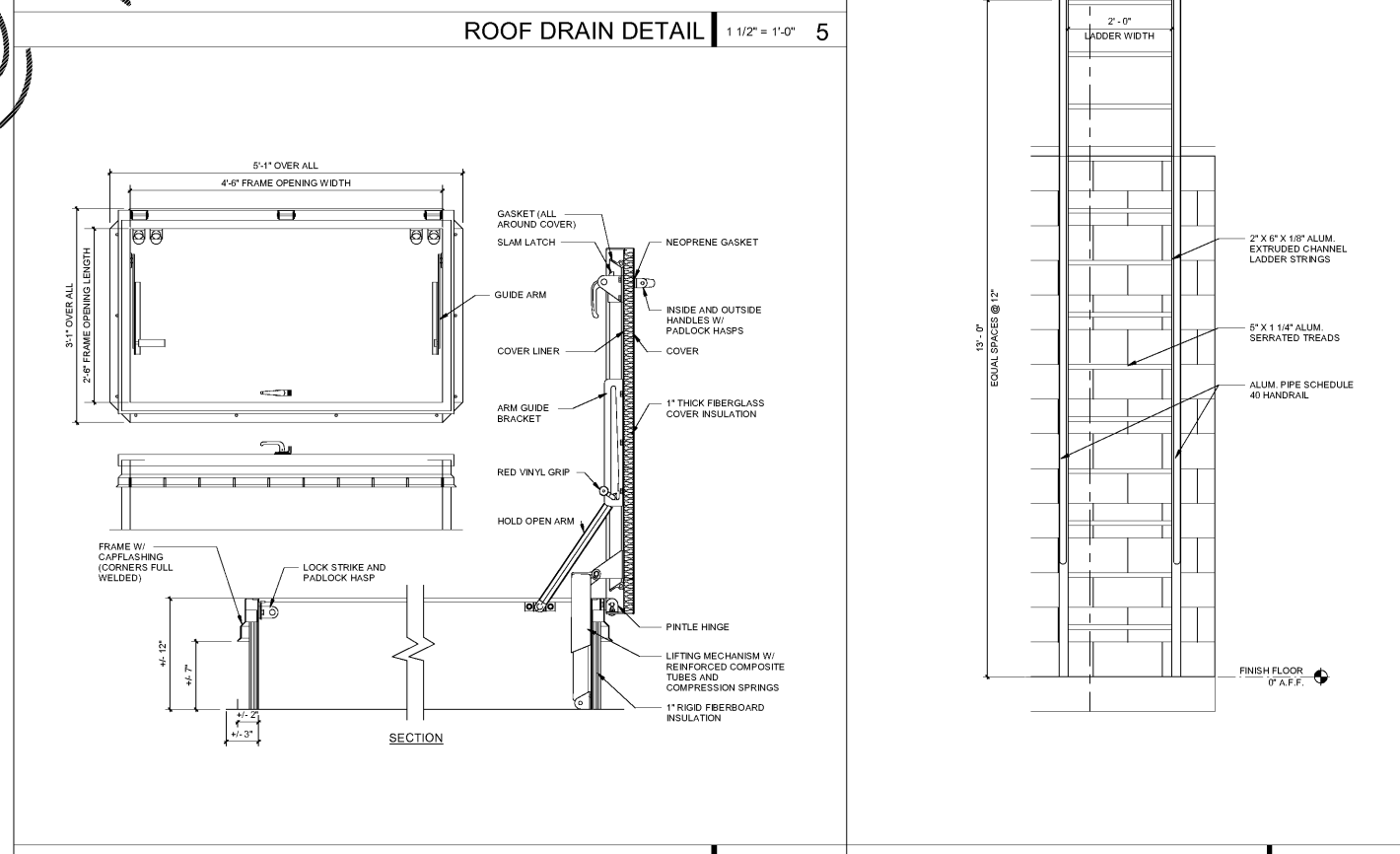
ROOF VENT PIPE 1 1/2" = 1'-0" 6

WALK PAD DETAIL 1 1/2" = 1'-0" 3



ROOF DRAIN DETAIL 1 1/2" = 1'-0" 5

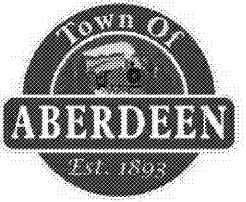
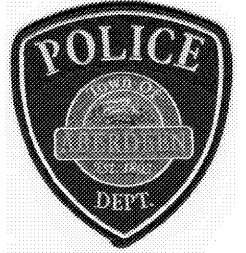
ROOF HATCH SECTION 1 1/2" = 1'-0" 2



ROOF HATCH DETAIL 1/2" = 1'-0" 4

SHIPS LADDER ELEVATION 3/4" = 1'-0" 1

adwarchitects  
environments for life  
architecture planning interiors  
2815 COLISEUM CENTRE DRIVE  
SUITE 500  
CHARLOTTE, NORTH CAROLINA 28217  
P 704.379.1919  
F 704.379.1920  
www.adwarchitects.com



A NEW POLICE FACILITY FOR  
ABERDEEN POLICE DEPARTMENT

804 N. Sandhills Blvd.  
Aberdeen, NC 28315

ROOF DETAILS

DATE: 11-22-2019  
PROJECT NO: 18062

REVISIONS  
NO. DATE DESCRIPTION:

THIS DRAWING IS THE PROPERTY OF ADW ARCHITECTS, P.A. AND SHALL NOT BE REPRODUCED OR COPIED IN WHOLE OR PART. IT SHALL NOT BE USED ON ANY OTHER PROJECT OR GIVEN TO ANY OTHER COMPANY OR AGENCY WITHOUT THE CONSENT OF ADW ARCHITECTS, P.A.



SHEET NUMBER

A111