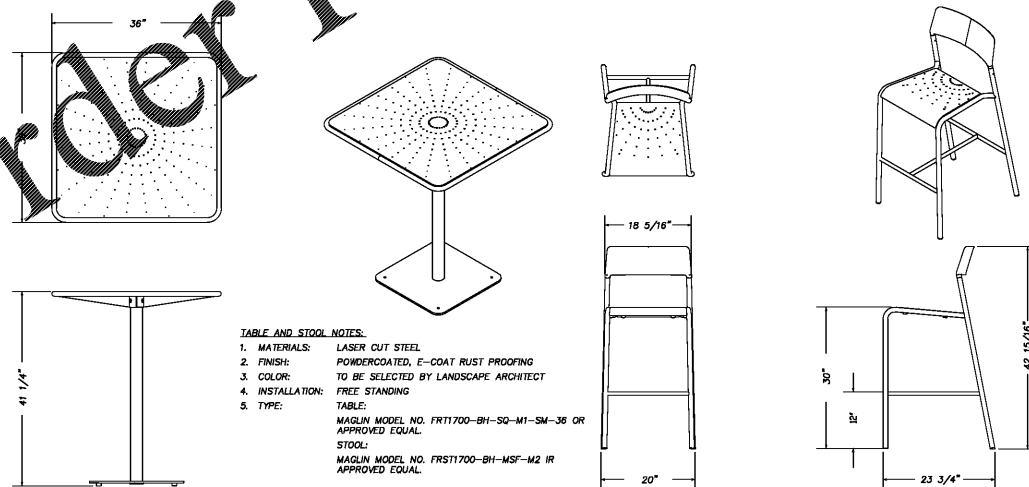


### NEW POLICE STATION BUILDING ADDITION

KEY	PATTERN	QTY	PLANT NAME	SIZE
EP		80*	ECHINACEA x PURPLE EMPEROR - PURPLE EMPEROR CONIFLOWER	2.5 QUART SPACE 18" O.C.
HX		114*	HEMEROCALLIS x 'RUBY SPIDER' - RUBY SPIDER TIGER DAYLILY	2.5 QUART SPACE 18" O.C.
JH		50*	JANIPERUS HORIZONTALIS 'BAR HARBOR' - BAR HARBOR JUNKER	1 GAL SPACE 3' O.C.
LM		72*	LIRIOPE MUSCARI 'MAJESTIC'	1 GAL SPACE 18" O.C.
VM		50*	VINCA MINOR 'ROSEA' - 'DIRTY' PINK PERENNIAL	2.5 QUART SPACE 18" O.C.

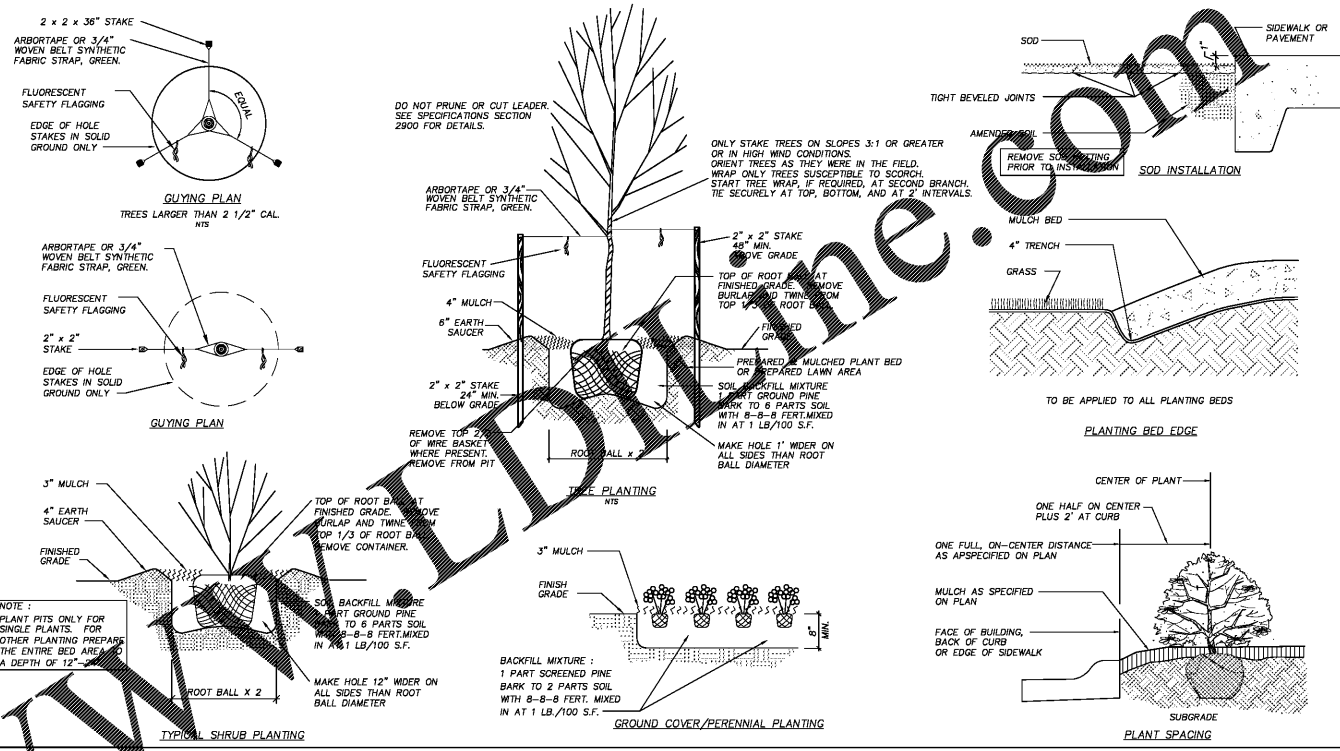
\*PLANT COUNTS INCLUDED IN MASTER PLANT LIST ON SHEET C800.

RAISED BED PLANTING PLAN ENLARGEMENT N.T.S.



**TABLE AND STOOL NOTES:**  
 1. MATERIALS: LASER CUT STEEL  
 2. FINISH: POWDERCOATED, E-COAT RUST PROOFING  
 3. COLOR: TO BE SELECTED BY LANDSCAPE ARCHITECT  
 4. INSTALLATION: FREE STANDING  
 5. TYPE: TABLE:  
 MAGLIN MODEL NO. FR11700-BH-SO-M1-SM-38 OR APPROVED EQUAL.  
 STOOL:  
 MAGLIN MODEL NO. FR11700-BH-MSF-M2 IR APPROVED EQUAL.

BAR TABLE AND STOOLS N.T.S.



**SEEDBED PREPARATION**  
 CHISEL ALL CUT GRADED OR COMPACTED AREAS TO A MINIMUM DEPTH OF 8"  
 DISC ALL AREAS TO RECEIVE GRASS TO A MINIMUM OF 8 INCHES, MIX AND AMEND WITH 3 INCHES OF IMPORTED TOPSOIL. REFER TO SPECIFICATIONS FOR TOPSOIL REQUIREMENTS.  
 REMOVE ALL LOOSE ROCK, ROOTS, AND OTHER OBSTRUCTIONS LEAVING SURFACE REASONABLY SMOOTH AND UNIFORM. CONSTRUCTION EQUIPMENT & TRAFFIC SHALL BE REMOVED PRIOR TO SEEDING.  
 APPLY AGRICULTURAL LIME, FERTILIZER, AND PHOSPHATE UNIFORMLY AS PER SPECIFICATIONS AND MIX WELL WITH SOIL.  
 CONTINUE TILLAGE UNTIL A WELL-PULVERIZED, FIRM, REASONABLY UNIFORM SEEDBED IS PREPARED TO A 6 INCHES DEPTH.  
 SEED AT RATE SPECIFIED. ACHIEVE AND MAINTAIN MINIMUM 95% COVERAGE PRIOR TO FINAL ACCEPTANCE, AS DETERMINED ON A PER SQUARE YARD SAMPLE BASIS.  
 MULCH IMMEDIATELY AFTER SEEDING AND ANCHOR MULCH. BEGIN THOROUGH WATERING OF GRASSSED AREAS IMMEDIATELY UPON INSTALLATION. DO NOT ALLOW GRASSSED AREAS TO BECOME EXCESSIVELY DRY.  
 INSPECT ALL SEEDING AREAS AND MAKE NECESSARY REPAIRS OR RESEEDING WITHIN THE PLANTING SEASON, IF POSSIBLE. IF STAND SHOULD BE OVER 60% DAMAGED, REESTABLISH FOLLOWING ORIGINAL LIME, FERTILIZER AND SEEDING RATES.  
 REFER TO WRITTEN SPECIFICATIONS FOR WARRANTY AND MAINTENANCE OF LAWNS PRIOR TO OWNER'S FINAL ACCEPTANCE.  
 IF CONFLICTS OCCUR BETWEEN WRITTEN SPECIFICATIONS AND THE DRAWINGS, THE WRITTEN SPECIFICATIONS SHALL PREVAIL.

**LIME & FERTILIZATION SCHEDULE**  
 APPLY LIME AND FERTILIZER ACCORDING TO SOIL TESTS, OR APPLY A MINIMUM 3 TONS/ACRE GROUND AGRICULTURAL LIMESTONE AND A MINIMUM 500 LB/ACRE 10-10-10 FERTILIZER, AS NEEDED TO ESTABLISH 95% COVERAGE (AS DETERMINED ON A PER SQUARE YARD BASIS) PRIOR TO SUBSTANTIAL COMPLETION. CONTRACTOR TO SUBMIT A COPY OF ALL SOIL REPORTS TO OWNER UPON RECEIPT.

**SURFACE STABILIZATION REQUIREMENTS**  
 PERMANENT OR TEMPORARY GROUND COVER SHALL BE PROVIDED OVER ALL DISTURBED AREAS OF THE SITE PER NPDES PERMIT.  
 GROUND STABILIZATION WILL BE APPLIED WITHIN 14 DAYS FROM LAST LAND DISTURBING ACTIVITY. FOR STEEP SLOPES, THAT AREA MUST BE STABILIZED WITHIN 7 DAYS.  
 PERMANENT GROUND COVER SHALL BE ESTABLISHED IN 15 WORKING DAYS OR 90 CALENDAR DAYS, WHICHEVER IS SHORTER. HOWEVER, NPDES GROUND COVER REQUIREMENTS TAKE PRECEDENCE.  
 USE EXCELSDOR MATTING OR OTHER APPROVED CHANNEL LINING MATERIAL TO COVER THE BOTTOM OF CHANNELS.  
 APPLY 4000 LB/ACRE GRAIN STRAW AND ANCHOR STRAW WITH ASPHALT TACKING AT A RATE OF 400 GALLONS/ACRE.  
 MULCH AND ANCHORING MATERIALS MUST NOT BE ALLOWED TO WASH DOWN SLOPES AND CLOG DRAINAGE DEVICES.

**TEMPORARY SEEDING SCHEDULE**

DATE	TYPE	PLANTING RATE
AUG 15 - APR 15	3-WAY TALL FESCUE BLEND AND WINTER RYE (GRAIN)	240 LBS/ACRE 40 LBS/ACRE
APR 15 - AUG 15	3-WAY TALL FESCUE BLEND AND GERMAN MULLET *** (SMALL-STEMMED VAR.) ***	240 LBS/ACRE 10 LBS/ACRE

CONSULT CONSERVATION ENGINEER OR SOIL CONSERVATION SERVICE FOR ADDITIONAL INFORMATION CONCERNING OTHER ALTERNATIVES FOR VEGETATION OF DENUGED AREAS. THE ABOVE VEGETATION RATES ARE THOSE WHICH DO WELL UNDER LOCAL CONDITIONS; OTHER SEEDING RATE COMBINATIONS ARE POSSIBLE.  
 \*\*\*TEMPORARY - RESEED ACCORDING TO OPTIMUM SEASON FOR DESIRED PERMANENT VEGETATION. DO NOT ALLOW TEMPORARY COVER TO GROW OVER 12" IN HEIGHT BEFORE MOWING, OTHERWISE FESCUE MAY BE SHADED OUT.

**PERMANENT SEEDING SCHEDULE - LAWN AREAS**

DATE	TYPE	PLANTING RATE
APR 15 - JULY 15**	HULLED SUNSTAR BERMUUDA	85 LBS/ACRE*
JULY 15 - AUG 15	SUNSTAR BERMUUDA SPRIGS (WAITING AT CONTRACTOR'S EXPENSE)	
AUG 15 - APR 15	TEMPORARY SEEDING APPLIES**	5 BUSHELS/1,000 SF

\* OR AS REQUIRED TO ACHIEVE 95% COVERAGE AS DETERMINED ON A PER SQUARE YARD BASIS PRIOR TO SUBSTANTIAL COMPLETION.  
 \*\* WHEN SEEDING MUST TAKE PLACE OUT-OF-SEASON FOR PERMANENT GRASS, APPROPRIATE TEMPORARY SEEDING SHALL BE DONE AND THE CONTRACTOR SHALL BE RESPONSIBLE FOR PERMANENT SEEDING AS SPECIFIED IN SEASON AT NO ADDITIONAL COST TO OWNER.  
 LAWN MAINTENANCE:  
 CONTRACTOR SHALL BE RESPONSIBLE FOR LAWN MAINTENANCE UNTIL FINAL COMPLETION.  
 SEE SPEC SECTION 329000 FOR LAWN MAINTENANCE REQUIREMENTS.  
 LAWN MUST BE AT 95% COVERAGE AT SUBSTANTIAL COMPLETION REVIEW TO BE ACCEPTED.  
 IF NOT AT 95% SUBSTANTIAL COMPLETION WILL BE DELAYED UNTIL THE FOLLOWING GROWING SEASON.  
 NURSE GRASS:  
 ADD ANNUAL RYE (LOLIUM MULTIFLORUM) TO MIXTURE ABOVE AT A RATE 5-8 LBS. PER ACRE.

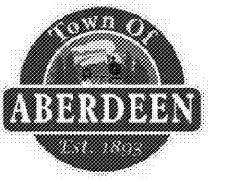
**PERMANENT SEEDING SCHEDULE - NATURALIZED SEED 'NO-MOW' MIX**

DATE	TYPE	PLANTING RATE
MAR 1 - JUNE 1 (OR AS RECOMMENDED BY MANUFACTURER)	NC PIEDMONT UPLAND MIX - ERNMIX-306	15-20 LBS/ACRE OR PER MANUFACTURER'S REQUIREMENTS FOR 95% COVERAGE

40% SCHIZACHYRIUM SCOPARIUM 'CAMPER'  
 10% COREOPUS LANGSOETA NC ECOTYPE  
 10% SORGHASTRUM NUTANS 'SUTHER' NC ECOTYPE  
 10% TROGENS FLAVUS 'SUTHER' NC ECOTYPE  
 3% HELIANTHUS ANNUUS 'PLAINS' NC ECOTYPE  
 3% MONARDA PUNCTATA, SE ECOTYPE  
 3% PANICUM VIRGATUM  
 5% PANTHENIUM INTEGRIFOLIUM, VA ECOTYPE  
 5% PENSTEMON LAEVIATUS, SC ECOTYPE  
 5% RUDBECKIA HIRTA, NC ECOTYPE  
 \*CAMPER' LITTLE BLUESTEM  
 LANCE LEAVED COREOPUS  
 SUTHER' INDIANGRASS  
 SUTHER' PURPLE TOP  
 SPOTTED BEE BALL  
 CARTRIDGE SWITCHGRASS  
 WILD QUINNE  
 APPALACHIAN BEARD TONGUE  
 BLACK EYED SUSAN  
 \*\*NOTE: ADD WEEPING LOVE GRASS AT A RATE OF 2 LBS/ACRE  
 SEE TEMPORARY SEEDING SCHEDULE  
 [SOURCE: ERNST CONSERVATION SEEDS, INC. (1-800-873-3321) OR EQUAL]

SEEDING NOTES AND RATES

**adwarchitects**  
 environments for life  
 architecture planning interiors  
 2815 COLISEUM CENTRE DRIVE  
 SUITE 500  
 CHARLOTTE, NORTH CAROLINA 28217  
 P704.379.1919  
 F704.379.1920  
 www.adwarchitects.com



RENOVATION AND ADDITION

ABERDEEN POLICE DEPARTMENT

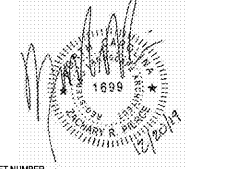
ABERDEEN, NORTH CAROLINA

SITE DETAILS

DATE: 12.20.2019  
 PROJECT NO: 18062

REVISIONS  
 NO. DATE DESCRIPTION  
 1 12-20-2019 COORDINATION

THIS DRAWING IS THE PROPERTY OF ADW ARCHITECTS, P.A. AND SHALL NOT BE REPRODUCED OR COPIED IN WHOLE OR PART. IT SHALL NOT BE USED ON ANY OTHER PROJECT OR GIVEN TO ANY OTHER COMPANY OR AGENCY WITHOUT THE CONSENT OF ADW ARCHITECTS, P.A.



SHEET NUMBER

**CLH DESIGN, P.A.**  
 400 Regency Forest Drive  
 Suite 100  
 Cary, North Carolina 27518  
 Phone: (919)519-9716  
 Fax: (919)519-7016  
 LA: C-106, PE: C-1595

C708