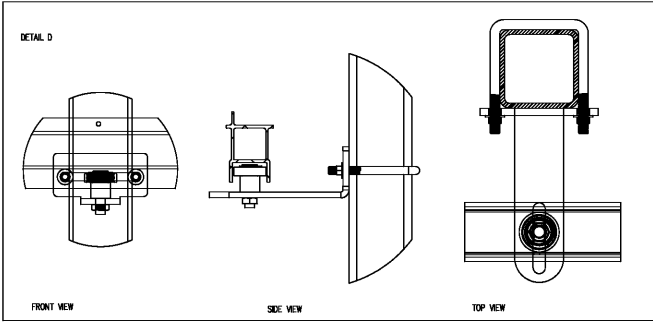
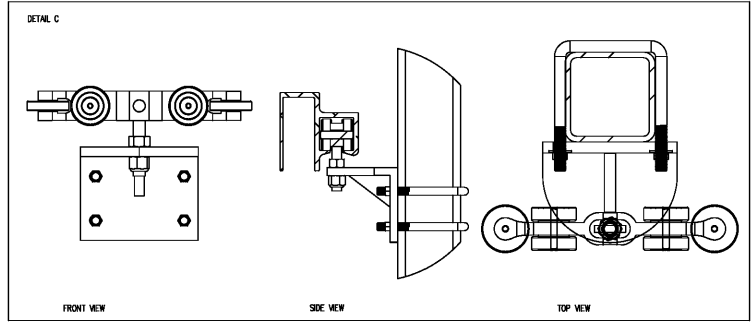
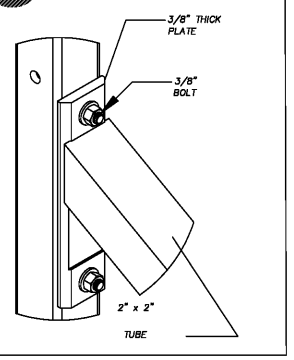
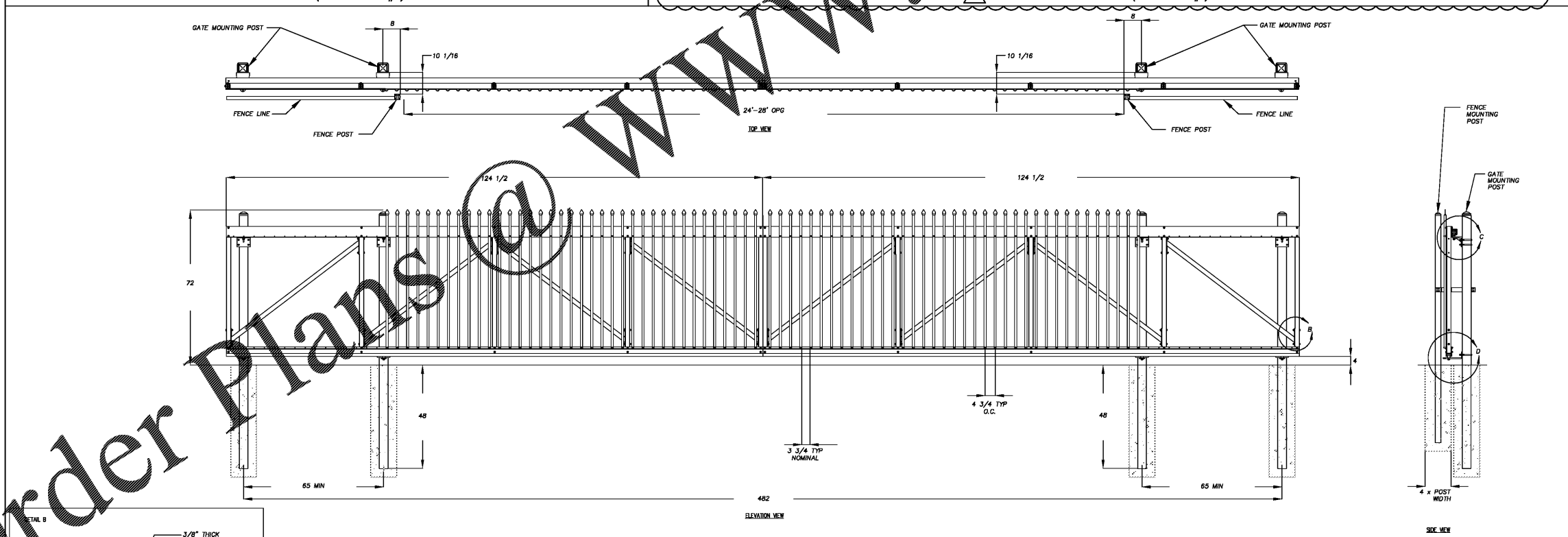


ORNAMENTAL FENCE (ALTERNATE #1) N.T.S.

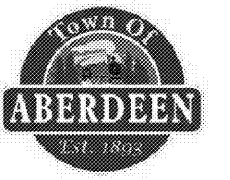
ORNAMENTAL SWING GATE (ALTERNATE #1) N.T.S.



NOTE:
REFER TO SPECIFICATIONS FOR ADDITIONAL INFORMATION.

DOUBLE LEAF CANTILEVER GATE (ALTERNATE #1) N.T.S.

adwarchitects
environments for life
architecture planning interiors
2815 COLISEUM CENTRE DRIVE
SUITE 500
CHARLOTTE, NORTH CAROLINA 28217
P704.379.1919
F704.379.1920
www.adwarchitects.com



RENOVATION AND ADDITION

ABERDEEN POLICE DEPARTMENT

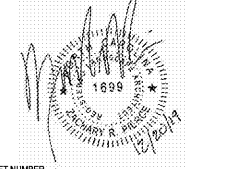
ABERDEEN, NORTH CAROLINA

SITE DETAILS

DATE: 12.20.2019
PROJECT NO: 18062

REVISIONS
NO. DATE DESCRIPTION
1 12-20-2019 COORDINATION

THIS DRAWING IS THE PROPERTY OF ADW ARCHITECTS, P.A. AND SHALL NOT BE REPRODUCED OR COPIED IN WHOLE OR PART. IT SHALL NOT BE USED ON ANY OTHER PROJECT OR GIVEN TO ANY OTHER COMPANY OR AGENCY WITHOUT THE CONSENT OF ADW ARCHITECTS, P.A.



SHEET NUMBER

CLH DESIGN, P.A.
450 Regency Forest Drive
Suite 1200
Cary, North Carolina 27018
Phone: (919)519-9718
Fax: (919)519-7018
LA: C-106, PE: C-1595

C704

Order Plans @