

Order Plans

WWW.IDPLine.com

WWW.IDPLine.com

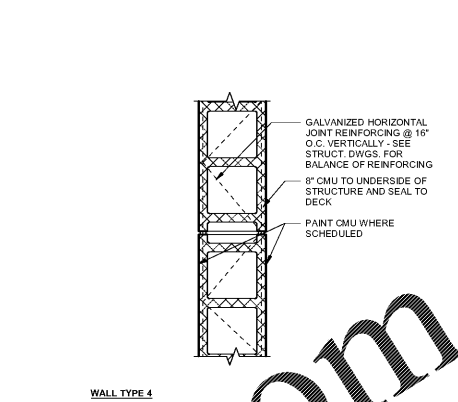
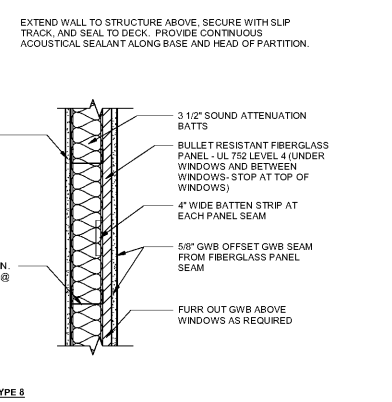
WWW.IDPLine.com

WWW.IDPLine.com

WWW.IDPLine.com

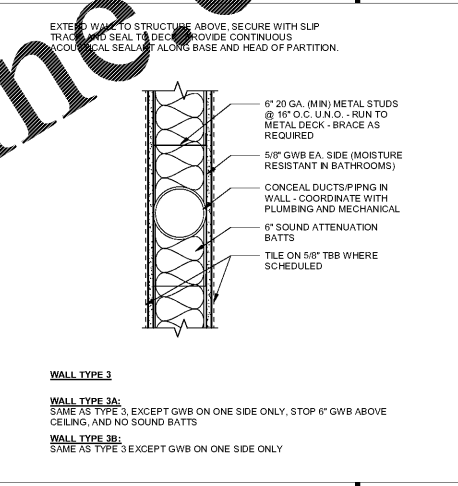
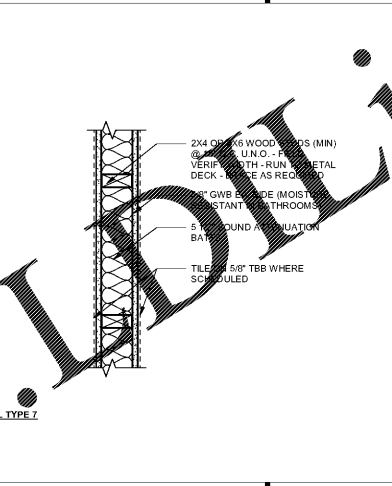
WWW.IDPLine.com

- GENERAL NOTES:**
1. WALL TYPES ARE KEYED IN DIMENSIONS AND WALL TYPE FLOOR PLANS - SEE
  2. ALL GWB PENETRATIONS TO BE SEALED WITH ACOUSTICAL SEALANT AT NON-RATED WALLS WITH SOUND ATTENUATION BATTS. SEAL PENETRATIONS @ CMU WITH ACOUSTICAL SEALANT WHEN NON-RATED.
  3. TILE BACKER BOARD (TBB) IS TO BE USED AT ALL WALLS TO RECEIVE TILE. MAINTAIN RATINGS AS REQUIRED.
  4. PENETRATING ITEMS PASSING ENTIRELY THROUGH BOTH PROTECTIVE MEMBRANES OF BEARING WALLS ARE REQUIRED TO HAVE A FIRE-RESISTIVE RATING AND WALLS REQUIRED PROTECTED OPENINGS SHALL BE PROTECTED WITH THROUGH-PENETRATION FIRE STOPS.
  5. WALL LAYERS ARE TO BE TAPED AND MUDDED. (ALL WALL TYPES)
  6. ALL WALLS ARE TO BE FINISHED SMOOTH (ALL WALL TYPES). REFER TO SPECIFICATIONS FOR REQUIRED FINISH LEVELS.
  7. CONTRACTOR TO PROVIDE MEANS OF ACCOMODATING MOVEMENT AT TOP RACK OF NON-LOADBEARING STUD WALLS RUNNING PERPENDICULAR TO THE ROOF STRUCTURE.
  8. REFER TO STRUCTURAL FOR ADDITIONAL CMU CORE FILL REQUIREMENTS.
  9. ALL PIPES, CONDUIT, CABLE TRAY, AND OTHER SIMILAR UTILITIES SHALL BE CONCEALED WITH METAL STUD FRAMING AND 5/8" GWB WHERE VISIBLE TO VIEW. MINIMIZE PROJECTION INTO ROOM TO GREATEST EXTENT POSSIBLE.
  10. ALL CONCEALED AND EXPOSED INSULATION SHALL HAVE A CLASS A FLAME SPREAD AND SMOKE DEVELOPMENT INDEX PER NGBG 720.2 AND 720.3.



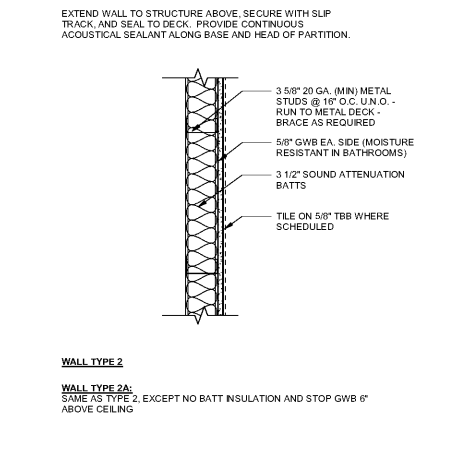
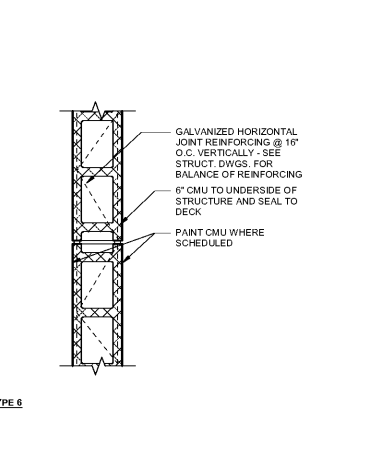
WALL TYPE 8 | 1 1/2" = 1'-0" | 8

WALL TYPE 4 | 1 1/2" = 1'-0" | 4



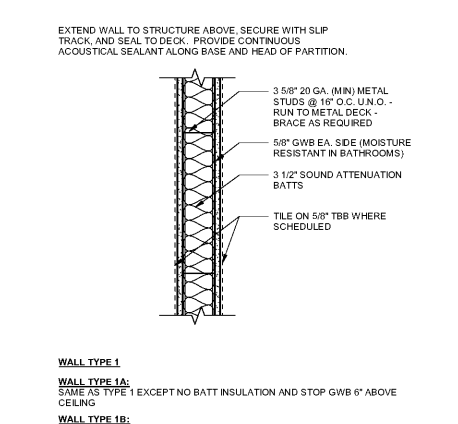
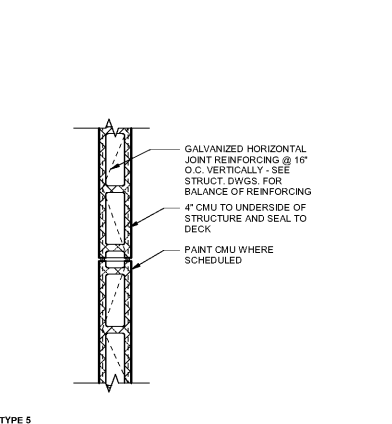
WALL TYPE 7 | 1 1/2" = 1'-0" | 7

WALL TYPE 3 | 1 1/2" = 1'-0" | 3



WALL TYPE 6 | 1 1/2" = 1'-0" | 6

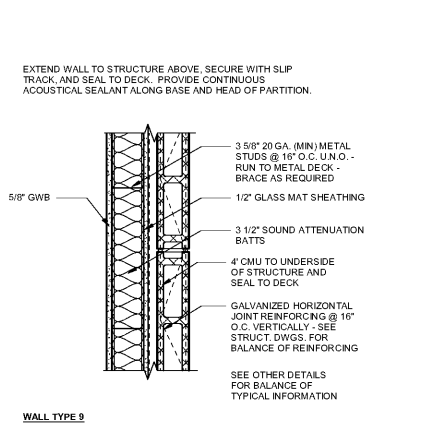
WALL TYPE 2 | 1 1/2" = 1'-0" | 2



WALL TYPE 5 | 1 1/2" = 1'-0" | 5

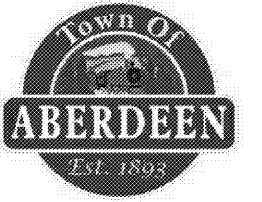
WALL TYPE 1 | 1 1/2" = 1'-0" | 1

GENERAL NOTES | NTS | 10



WALL TYPE 9 | 1 1/2" = 1'-0" | 9

**adwarchitects**  
environments for life  
architecture | planning | interiors  
2815 COLISEUM CENTRE DRIVE  
SUITE 500  
CHARLOTTE, NORTH CAROLINA 28217  
P 704.379.1919  
F 704.379.1920  
www.adwarchitects.com



A NEW POLICE FACILITY FOR  
**ABERDEEN POLICE DEPARTMENT**

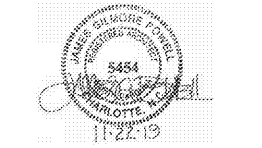
804 N. Sandhills Blvd.  
Aberdeen, NC 28315

WALL TYPES

DATE: 11-22-2019  
PROJECT NO: 18062

REVISIONS  
NO. DATE DESCRIPTION:

THIS DRAWING IS THE PROPERTY OF ADW ARCHITECTS, P.A. AND SHALL NOT BE REPRODUCED OR COPIED IN WHOLE OR PART. IT SHALL NOT BE USED ON ANY OTHER PROJECT OR GIVEN TO ANY OTHER COMPANY OR AGENCY WITHOUT THE CONSENT OF ADW ARCHITECTS, P.A.



SHEET NUMBER

**A003**