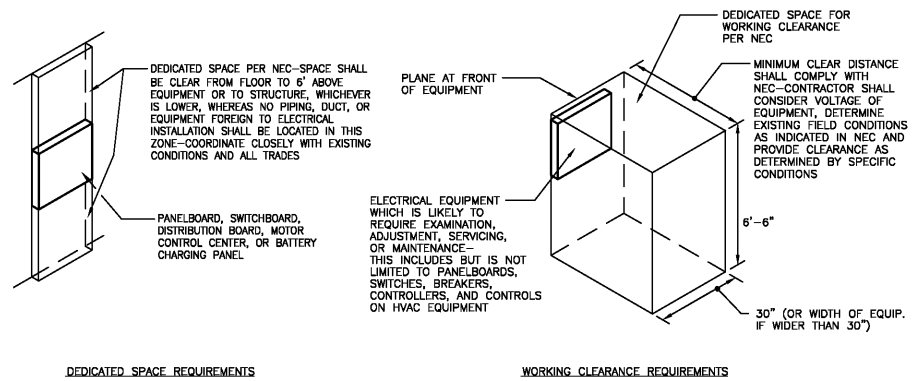
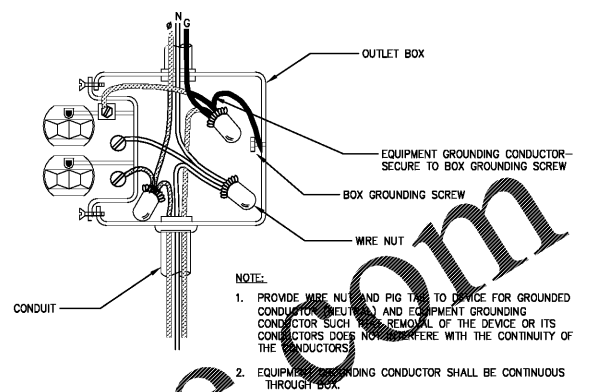


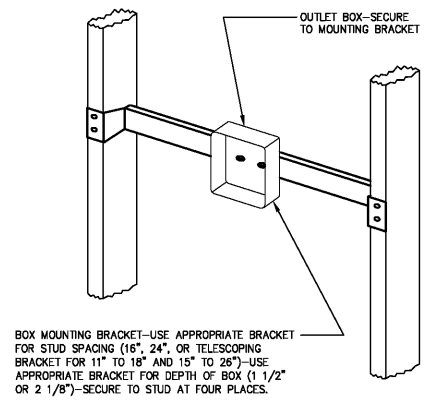
1 Lay-In Light Fixture Installation
E4.1 SCALE: NONE



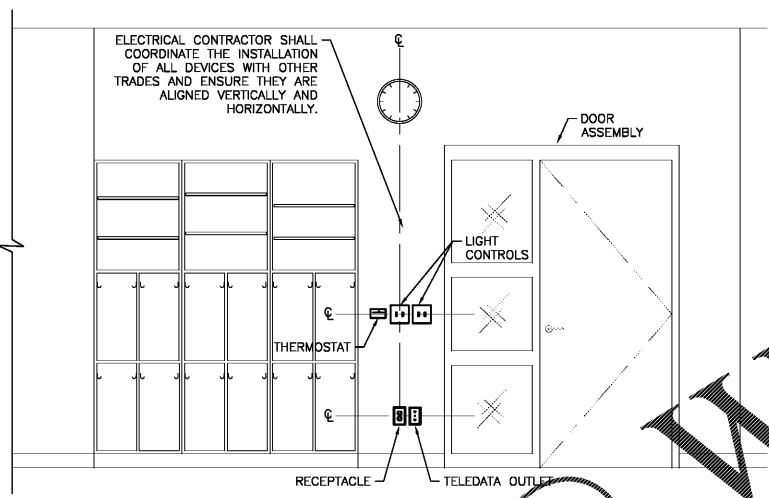
2 Electrical Equipment Dedicated Space & Working Clearance
E4.1 SCALE: NONE



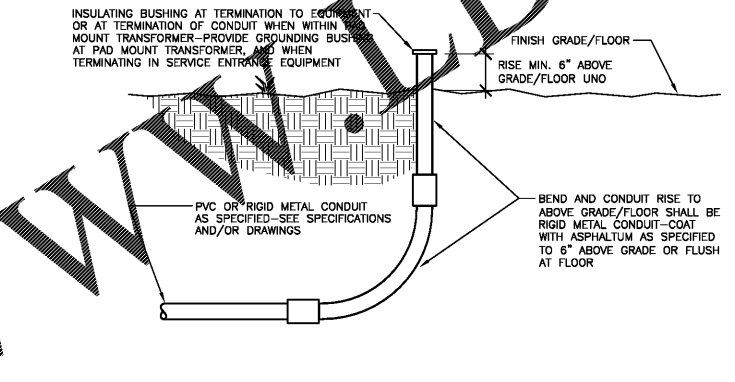
3 Receptacle Wiring Detail
E4.1 SCALE: NONE



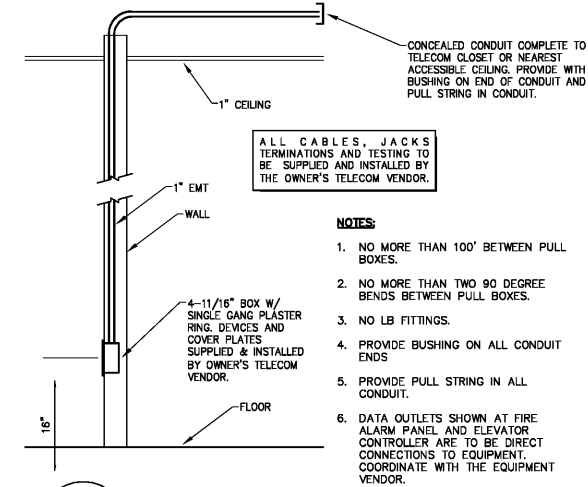
4 Outlet Box Mounting
E4.1 SCALE: NONE



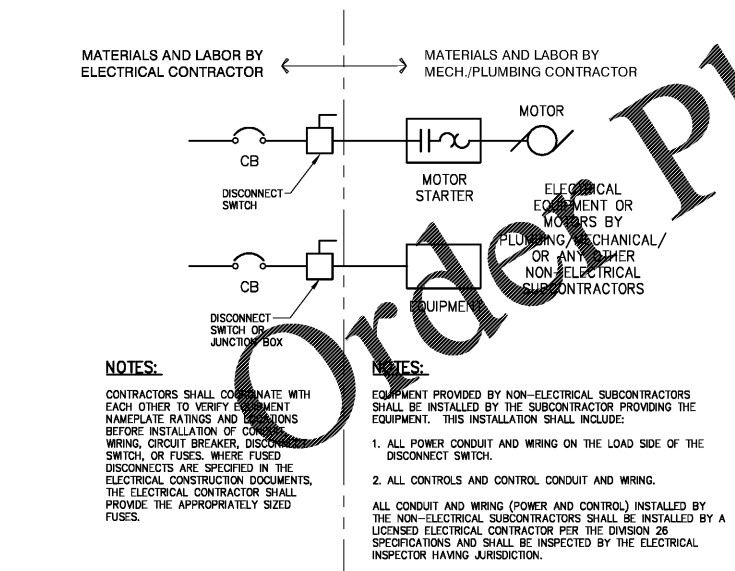
5 Device Coordination Detail
E4.1 SCALE: Not To Scale Typical for all Locations



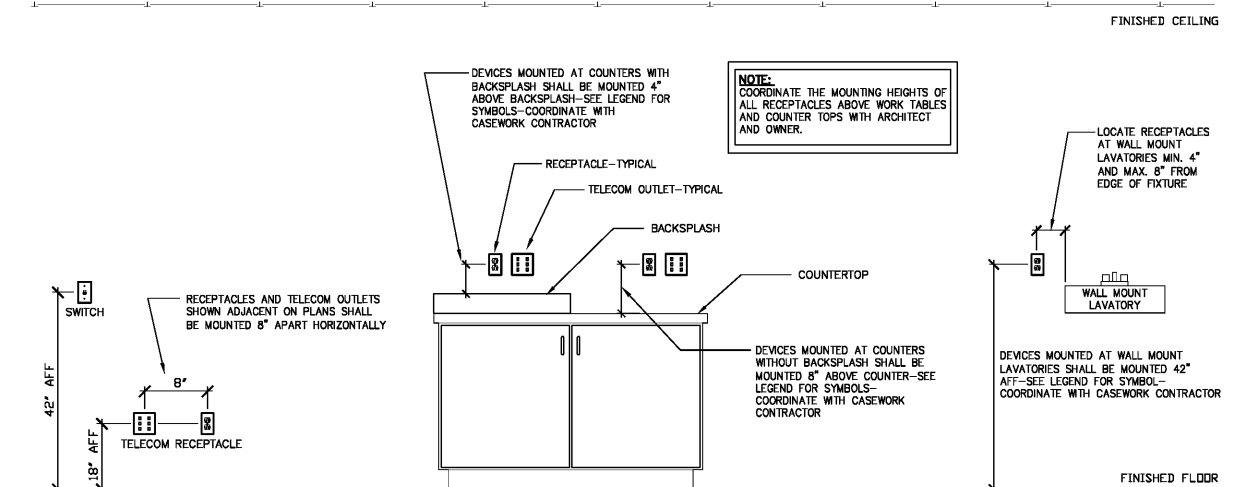
6 Underground Conduit Rise To Above Grade/Floor
E4.1 SCALE: Not To Scale



7 Telecom Outlet Detail
E4.1 SCALE: NONE

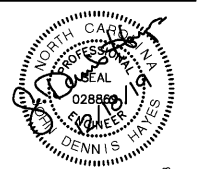


8 Motor/Equipment Installation - Division of Work
E4.1 SCALE: Not To Scale



9 Typical Electrical Elevations
E4.1 SCALE: NONE

These drawings are instruments of service and as such remain the property of the architect. No copies or reproductions of these drawings are permitted without the consent of the architect. Upon completion of the work all the drawings (except the contract copies) are to be returned to the architect.
Copyright © 2019



1920 Hwy. 54, Suite 700, Durham, NC 27713
Ph. 919-544-1936 - Fax 919-544-2540 - License: C-1813

RENOVATIONS TO:

ABC STORE

HOLLOWAY ST. DURHAM, NC

PROJECT NUMBER 19-063

Electrical Details

DTW
Architects & Planners, Ltd.
229 North Gregson Street
Durham, NC 27701
919.317.4020

CONSTRUCTION DOCUMENTS

Revisions

Drawn ANR
Checked JDH
Date 12/18/2019
Sheet

E4.1

Of