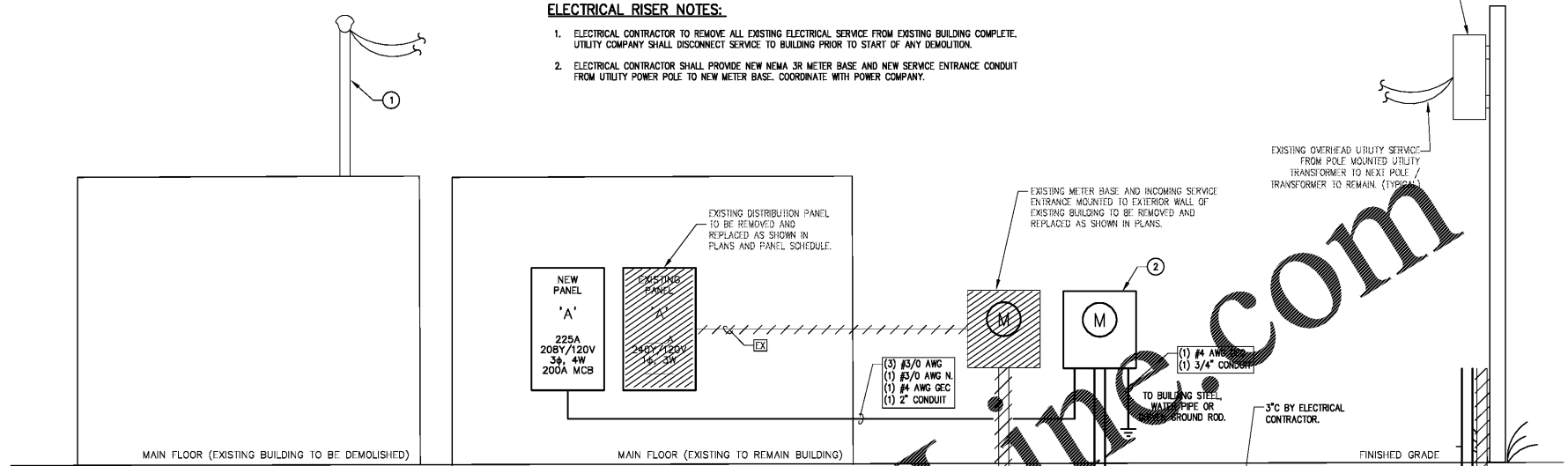


NOTES	CKT	LOAD	DESCRIPTION	COND	EGC	N	W	CB	LOAD	CB	W	N	EGC	COND	DESCRIPTION	LOAD	CKT	NOTES
	1	360	REC-ELEC RM	3/4"	12	12	20	1080		20	12	12	3/4"	REC-ENTRY BREAKER	720	2		
	3	360	REC-ELEC RM	3/4"	12	12	20	720		20	12	12	3/4"	REC-SALES AREA 9	360	4		
	5	360	REC-ELEC RM	3/4"	12	12	20			20	12	12	3/4"	REC-SALES AREA 9	360	6		
	7	540	REC-STOR 102	3/4"	12	12	20	900		20	12	12	3/4"	REC-ROOF	360	8		
	9	540	REC-STOR 102	3/4"	12	12	20	1260		20	12	12	3/4"	REC-COUNTER 103	720	10		
	11	1000	REC-BREAK 103	3/4"	12	12	20	1380		20	12	12	3/4"	REC-POB COUNTER	360	12		
	13	1000	REC-BREAK 103	3/4"	12	12	20	1380		20	12	12	3/4"	REC-POB COUNTER	360	14		
	15	1000	REC-BREAK 103	3/4"	12	12	20	1180		20	12	12	3/4"	REC-POB COUNTER	180	16		
	17	1000	REC-BREAK 103	3/4"	12	12	20	1380		20	12	12	3/4"	REC-POB COUNTER	360	18		
	19	940	1-10 ZONES 1-12, 13, 14, 15	3/4"	12	12	20	1330		20	12	12	3/4"	REC-POB COUNTER	360	20		
	21	1403	1-10 ZONES 1-12, 13, 14, 15	3/4"	12	12	20	1083		20	12	12	3/4"	REC-POB COUNTER	180	22		
	23	468	LIGHTING ZONE 1	3/4"	12	12	20			20	12	12	3/4"	LIGHTING ZONE 1A	360	24		
	25	504	LIGHTING ZONE 2	3/4"	12	12	20	1230		20	12	12	3/4"	SECURITY DATE	696	26		
	27	432	LIGHTING ZONE 3	3/4"	12	12	20	1632		20	12	12	3/4"	ROLL-UP DOOR	1200	28		
	29	288	LIGHTING ZONE 4	3/4"	12	12	20	288		20	12	12	3/4"	SPARE	30			
	31	684	LIGHTING ZONE 5	3/4"	12	12	20	684		20	12	12	3/4"	SPARE	32			
	33	360	LIGHTING ZONE 6	3/4"	12	12	20	360		20	12	12	3/4"	SPARE	34			
	35		SPARE					0		20	12	12	3/4"	SPARE	36			
	37		SPARE					0		20	12	12	3/4"	SPARE	38			
	39		SPARE					0		20	12	12	3/4"	SPARE	40			
	41		SPARE					0		20	12	12	3/4"	REC ON ROOF	360	42		
	43		SPARE					0		20	12	12	3/4"	RTU 1	3600	44		
	45	180	RTU-1 REC-SEC PUMP	3/4"	12	12	20	3600		45	8	10	3/4"	ON ROOF	3600	46		
	47	2250	WH-1	3/4"	10	10	30	5850		8	10	10	3/4"	ON ROOF	3600	48		
	49	2250	WH-1	3/4"	10	10	30	4770		10	10	10	3/4"	ON ROOF	2520	50		
	51	1560	AC-100-1	3/4"	12	12	20	4080		10	10	10	3/4"	ON ROOF	2520	52		
	53	1560	AC-100-1	3/4"	12	12	20	4080		10	10	10	3/4"	ON ROOF	2520	54		

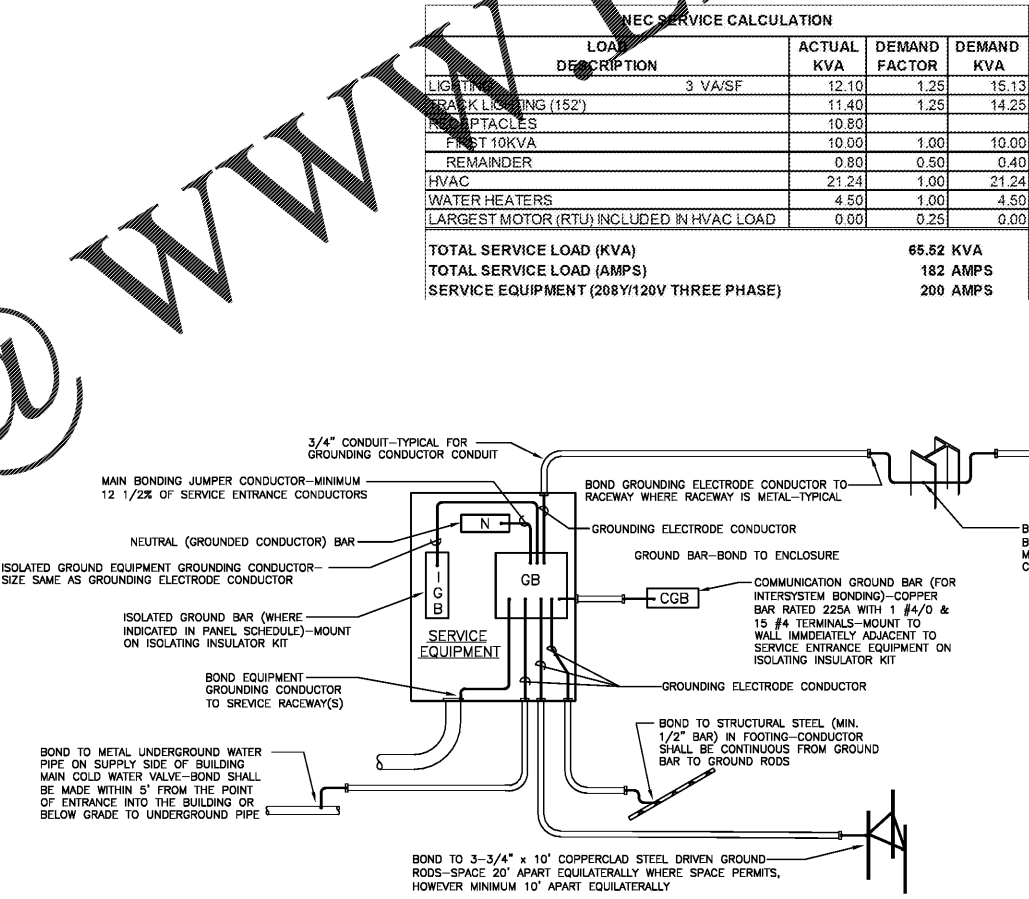
NOTES:
 1. PANEL IS SQUARE D NO. 000 TYPE PANELBOARD.
 2. G = GFI FOR PEOPLE PROTECTION BREAKER (60mA), GEP = GFI FOR EQUIPMENT PROTECTION BREAKER (30mA)
 3. ROUTE THROUGH LIGHTING RELAY PANEL.
 4. THESE OUTLETS TO BE WIRED WITH ISOLATED GROUNDS.
 5. INDOOR UNIT FED FROM OUTDOOR UNIT.



1 Electrical Riser Diagram
 E3.1 SCALE: Not To Scale TYPICAL APARTMENT

LIGHT FIXTURE SCHEDULE									
SYMBOL/LABEL	PRODUCT IMAGE	MANUFACTURER	MODEL DESIGNATION	LAMPING	VOLTAGE	VA	FITTURE DESCRIPTION		
A		LSI INDUSTRIES	SFP24-LED-50-UE-DIM-35	LED 5052 LUMEN 3500° KELVIN CRI = 80	120-277V	50W	2'x4' EDGE-UP FLAT PANEL LED TROFFER WITH DIE-FORMED CODE-GAUGE STEEL AND ALUMINUM CONSTRUCTION, 120° BEAM ANGLE, ULTRA-SLIM 2° OVERALL HEIGHT, HIGH REFLECTANCE WHITE POLYESTER POWDER FINISH, 0-10V DIMMING STANDARD, SUITABLE FOR DAMP LOCATIONS AND 5 YEAR WARRANTY.		
B		LSI INDUSTRIES	SFP22-LED-30-UE-DIM-35	LED 3000 LUMEN 3500° KELVIN CRI = 80	120-277V	50W	2'x2' EDGE-UP FLAT PANEL LED TROFFER WITH DIE-FORMED CODE-GAUGE STEEL AND ALUMINUM CONSTRUCTION, 120° BEAM ANGLE, ULTRA-SLIM 2° OVERALL HEIGHT, HIGH REFLECTANCE WHITE POLYESTER POWDER FINISH, 0-10V DIMMING STANDARD, SUITABLE FOR DAMP LOCATIONS AND 5 YEAR WARRANTY.		
C		LSI INDUSTRIES	LD6-LED-14L-UNV-35-NF-TRBR-SF SPC	LED 1432 LUMEN 3500° KELVIN CRI = 80 MIN.	120-277V	14.4W	6" LED DOWNLIGHT WITH ANODIZED ALUMINUM REFLECTOR FOR EVEN ILLUMINATION AND EVEN CLARE AND DRIVER ACCESSIBLE FROM BELOW CEILING. NARROW FLOOD BEAM OPTICS. SELF FLANGED OPEN AND SPECULAR CLEAR REFLECTOR. DIMMING CAPABILITY AND REMOTE EMERGENCY BATTERY OPTIONS AVAILABLE. DAMP LOCATION LISTED AND 5 YEAR WARRANTY ON FIXTURE. 1 YEAR ON OPTIONAL BATTERY.		
D		METALUMEN	RW20-1L35K-C-M-W-ML2-1-PA-UNV-D/EM ADDS 'B' BATTERY PACK OPTION FOR EMERGENCY POWER	LED 503 LUMEN/FT 3500° KELVIN CRI = 83+	120-277V	4.4/FT	2.4"W x 2.9"H LINEAR LED PENDANT WITH RIGID EXTRUDED ALUMINUM 0.09" THICK BODY, STEEL FORMED END CAPS, WHITE FINISH, STEEL AIRRAFT CABLE MOUNTING WITH QUICK-GRIP FIELD ADJUSTABLE SUSPENSION SYSTEM FOR QUICK ON-SITE ALIGNMENT, FACTORY PRE-WIRED WITH EASY QUICK CONNECT SECTIONS AND DIMMING STANDARD. DAMP LOCATION LISTED AND 5 YEAR WARRANTY.		
E (TRACK)		JUNO	SEE TRACK	LED	120V	N/A	TRACK SECTIONS TO BE PROVIDED BY OTHERS TO ELECTRICAL CONTRACTOR FOR INSTALLATION. REFER TO SHELVEING DRAWINGS FOR EXACT TRACK LOCATIONS PRIOR TO ORDERING.		
E (HEAD)		JUNO	SEE TRACK	LED	120V	30W PER HEAD	FITTURES TO BE PROVIDED BY OTHERS TO ELECTRICAL CONTRACTOR FOR INSTALLATION. REFER TO SHELVEING DRAWINGS FOR ADDITIONAL INFORMATION.		
EM		ATLAS LIGHTING	WSPLD40LED3KEB-PC	LED 4247 LUMEN 3000° KELVIN CRI = 83	120-277V	42W	10" W LED WALL PANEL WITH FULL CUT-OFF, WET LOCATION LISTED. PROVIDE WITH EMERGENCY BATTERY BACK-UP 1580 LUMENS FOR MINIMUM OF 90 MINUTES. BRONZE. FACTORY INSTALLED INTEGRAL PHOTOCELL. 5 YEAR WARRANTY.		
EM2		BEGHELLI	DECD-6	(2) WEDGES	120-277V	10W	MOUNT EMERGENCY LIGHT WITH UNIVERSAL MOUNTING PLATE, EXTERNAL TEST SWITCH AND MONITOR LED STANDARD, MAINTENANCE FREE BY 4.5AN SEALED LEAD CALCIUM BATTERY FOR 90 MIN OPERATION. INJECTION MOLDED THERMOPLASTIC HOUSING, DAMP LOCATION LISTED AND 3 YEAR WARRANTY.		
X		BEGHELLI	BRZ-100-W-1	LED	120-277V	3W	COMBINATION LED EXIT/EMERGENCY LIGHT FIXTURE WITH RED LETTERS ON HIGH IMPACT, WHITE THERMOPLASTIC HOUSING. PROVIDE SINGLE OR DUAL FACE WITH UNIVERSAL MOUNT AND CHERRONS AS INDICATED ON PLANS. BRZZA SERIES. CONNECT TO LINE SIDE OF AREA LIGHTING CIRCUIT.		

NOTES:
 1. FIXTURES SHALL BE APPROVED WITH ALL NECESSARY MOUNTING HARDWARE, OPTIONS, LAMPS AND COMPONENTS AS REQUIRED FOR THE INSTALLATION AND AS DESCRIBED IN THE SCHEDULE.
 2. ALL LAMPS/FIXTURES SHALL BE 'BURNED' IN AT FULL INTENSITY FOR A MINIMUM OF 100 HOURS PRIOR TO BEING DIMMED.
 3. ALL LAMPS/FIXTURES ON OCCUPANCY SENSOR CONTROL SHALL BE 'BURNED' IN AT FULL INTENSITY FOR A MINIMUM OF 100 HOURS PRIOR TO BEING PLACED ON OCCUPANCY SENSOR CONTROL.
 4. ALL LAMPS SHALL BE 3500K UNLESS OTHERWISE NOTED.
 5. ARCHITECT TO SELECT ALL FINISH COLORS TO THE ELECTRICAL CONTRACTOR.
 6. PROVIDE SEPARATE POWER SUPPLIES, MOUNTING BRACKETS, END CAPS, ACCESSORIES AND ALL COMPONENTS TO ENSURE A COMPLETE AND CLEAN INSTALLATION.
 7. COORDINATE EXACT MOUNTING DETAILS, COLORS AND LENGTHS WITH ARCHITECTURAL DETAILS PRIOR TO ORDERING.
 8. ALL EXIT SIGNS AND EMERGENCY LIGHTS SHALL BE CIRCUITED TO THE LINE SIDE OF THE LOCAL AREA LIGHTING SWITCH.
 9. EQUAL FIXTURES IN APPEARANCE, QUALITY AND PERFORMANCE MAY BE SUBMITTED UNLESS OTHERWISE NOTED BY THE ENGINEER, ARCHITECT OR OWNER.



2 Service Grounding & Bonding Detail
 E3.1 SCALE: NONE

EXISTING POLE MOUNTED UTILITY TRANSFORMER(S) TO REMAIN. TRANSFORMER TO REMAIN ENERGIZED TO SERVE EXISTING TO REMAIN. SITE LIGHTING AND OCCUPIED BUILDINGS DURING CONSTRUCTION.

EXISTING OVERHEAD UTILITY SERVICE FROM POLE MOUNTED UTILITY TRANSFORMER TO NEAR POLE / TRANSFORMER TO REMAIN. (TYPICAL)

EXISTING METER BASE AND INCOMING SERVICE ENTRANCE MOUNTED TO EXTERIOR WALL OF EXISTING BUILDING TO BE REMOVED AND REPLACED AS SHOWN IN PLANS.

NEW PANEL 'A'
 225A
 208Y/120V
 3φ, 4W
 200A MCB

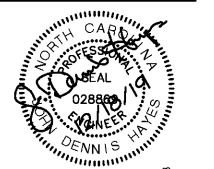
(3) #3/0 AWG
 (1) #3/0 AWG N.L.
 (1) #4 AWG GEC
 (1) 2" CONDUIT

(1) #4 AWG
 (1) 3/4" CONDUIT

TO BUILDING STEEL WATER PIPE OR GROUND ROD.

3" C BY ELECTRICAL CONTRACTOR.

These drawings are instruments of service and as such remain the property of the architect. No copies or reproductions of these drawings are permitted without the consent of the architect. Upon completion of the work all the drawings (except the contract copies) are to be returned to the architect.
 Copyright © 2019



1920 Hwy. 54, Suite 700, Durham, NC 27713
 Ph. 919-544-1036 - Fax 919-544-2540 - License: C-1813

RENOVATIONS TO:

ABC STORE

HOLLOWAY ST.
 DURHAM, NC

PROJECT NUMBER
 19-063

Electrical Riser and Panel Schedule

DTW
 Architects & Planners, Ltd.
 229 North Gregson Street
 Durham, NC 27701
 919.317.4020

CONSTRUCTION DOCUMENTS

Revisions

Drawn ANR
 Checked JDH
 Date 12/18/2019
 Sheet

E3.1

Of