

These drawings are instruments of service and as such remain the property of the architect. No copies or reproductions of these drawings are permitted without the consent of the architect. Upon completion of the work all the drawings (except the contract copies) are to be returned to the architect.
Copyright © 2019



1920 Hwy. 54, Suite 700, Durham, NC 27713
Ph. 919-544-1936 - Fax 919-544-2540 - License: C-1813

RENOVATIONS TO:

ABC STORE

HOLLOWAY ST.
DURHAM, NC

PROJECT NUMBER
19-063

Plumbing Details

DTW
Architects & Planners, Ltd.

229 North Gregson Street
Durham, NC 27701
919.317.4020

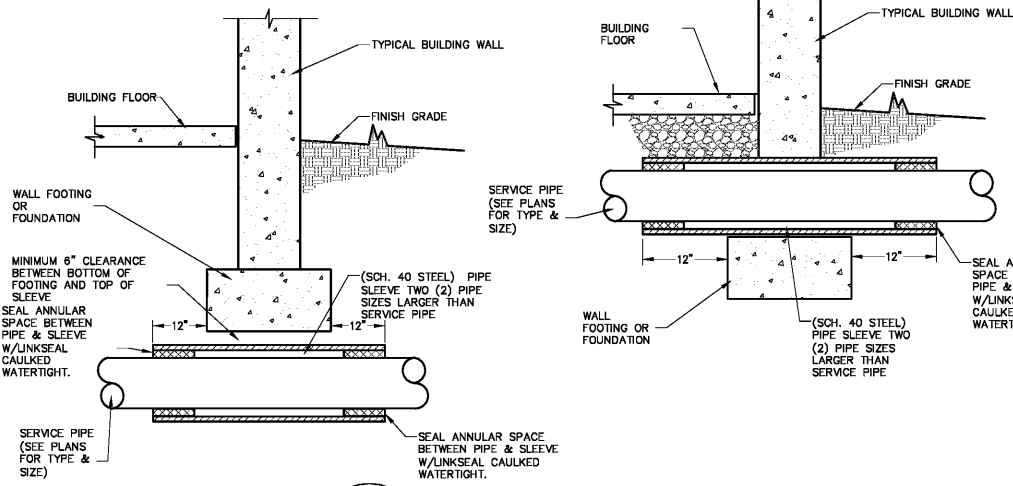
CONSTRUCTION DOCUMENTS

Revisions

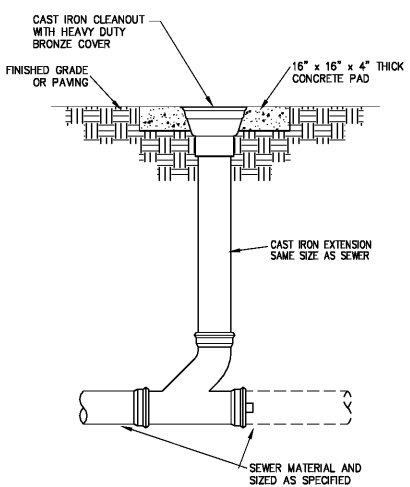
Drawn LDH
Checked CTC
Date 12/18/2019
Sheet

P4.1

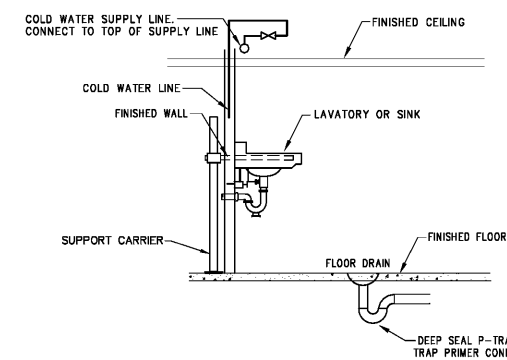
of



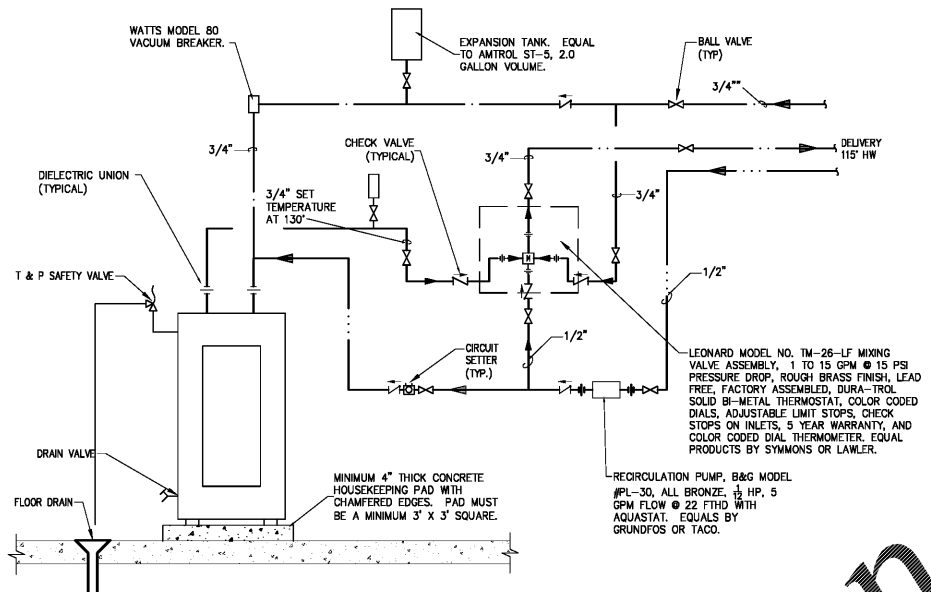
1 Typical Pipe Sleeve Detail
P4.1 SCALE: NONE



2 Exterior Cleanout Detail
P4.1 SCALE: NONE

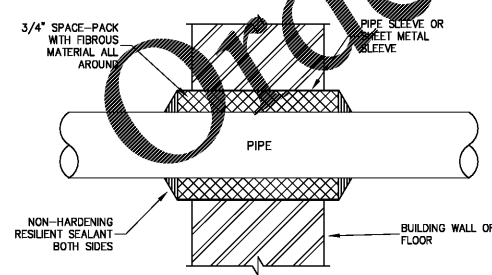


3 Typical Wall Mounted Lavatory Detail
P4.1 SCALE: NONE

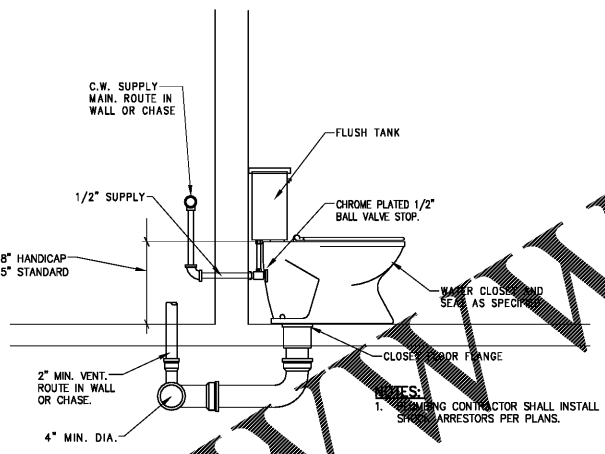


4 Water Heater Detail
P4.1 SCALE: NONE Light Duty Commercial Electric

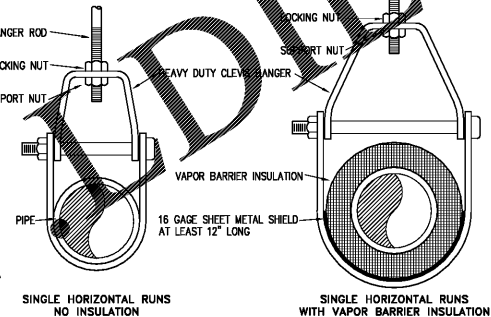
WATER HEATER:
LOCHINVAR MODEL ETJ040K2 - ELECTRIC WATER HEATER, 40 GALLON CAPACITY, (2) 4.5 KW NON-SIMULTANEOUS OPERATION ELEMENTS (4.5 KW TOTAL), 208V, 19, 19 GPH, RECOVERY @ 100°F RISE, SET THERMOSTAT @ 130°F. PRE-APPROVED EQUALS BY BRADFORD WHITE, RHEM, OR TRITON.



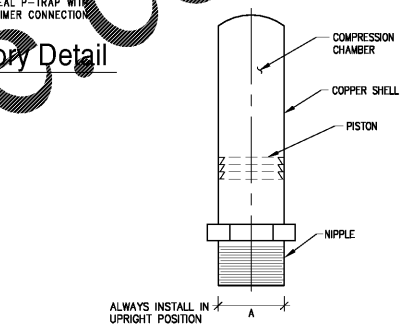
8 Typical Wall Penetration Detail
P4.1 SCALE: NONE



5 Floor Mounted Water Closet Detail
P4.1 SCALE: NONE

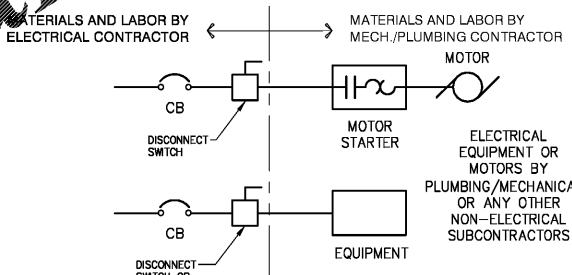


6 Clevis Hanger Detail
P4.1 SCALE: NONE



7 Shock Arrestor Schedule
P4.1 SCALE: NONE

P.D.I. SYMBOL	FIXTURE UNIT RATING	A. SIZE
A	1-11	1/2"
B	12-32	3/4"
C	33-60	1"
D	61-113	1 1/4"
E	114-154	1 1/2"
F	155-330	2"

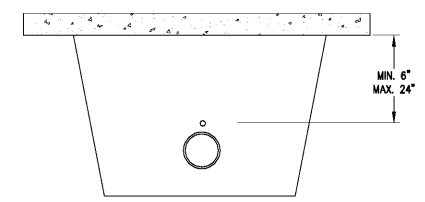


9 Motor / Equipment Installation - Division of Work
P4.1 SCALE: NONE

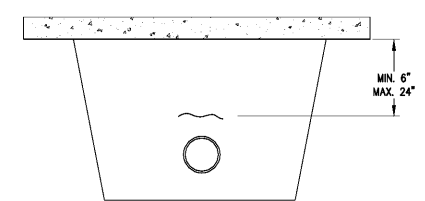
NOTES:
CONTRACTORS SHALL COORDINATE WITH EACH OTHER TO VERIFY EQUIPMENT NAMEPLATE RATINGS AND LOCATIONS BEFORE INSTALLATION OF CONDUIT, WIRING, CIRCUIT BREAKER, DISCONNECT SWITCH, OR FUSES. WHERE FUSED DISCONNECTS ARE SPECIFIED IN THE ELECTRICAL CONSTRUCTION DOCUMENTS, THE ELECTRICAL CONTRACTOR SHALL PROVIDE THE APPROPRIATELY SIZED FUSES.

NOTES:
EQUIPMENT PROVIDED BY NON-ELECTRICAL SUBCONTRACTORS SHALL BE INSTALLED BY THE SUBCONTRACTOR PROVIDING THE EQUIPMENT. THIS INSTALLATION SHALL INCLUDE:
1. ALL POWER CONDUIT AND WIRING ON THE LOAD SIDE OF THE DISCONNECT SWITCH.
2. ALL CONTROLS AND CONTROL CONDUIT AND WIRING.

ALL CONDUIT AND WIRING (POWER AND CONTROL) INSTALLED BY THE NON-ELECTRICAL SUBCONTRACTORS SHALL BE INSTALLED BY A LICENSED ELECTRICAL CONTRACTOR PER THE DIVISION 26 SPECIFICATIONS AND SHALL BE INSPECTED BY THE ELECTRICAL INSPECTOR HAVING JURISDICTION.



10 Buried Plumbing Pipe Identification
P4.1 SCALE: NONE



10 Exterior Non Metallic Plumbing Piping
P4.1 SCALE: NONE

NOTES:
TRACER WIRE SHALL BE INSTALLED OVER PIPING THROUGHOUT BUILDING AND TERMINATE AT THE EXTERIOR CLEANOUT. METALLIC TAPE SHALL BE USED OVER EXTERIOR NON METALLIC PIPE. INSTALL PER NCPG SECTION 306.2.4.



NORTH

P:\PROJECTS\19-063\19-063_P4.1.plt - REGISTRY: ST-11, CAD: 130 PLUMBING\PLUMBING.PLT, PLOT: 12/18/2019 1:08 PM BY: JASPER HEETER

Order Plans @ WWW.DTWOnline.com