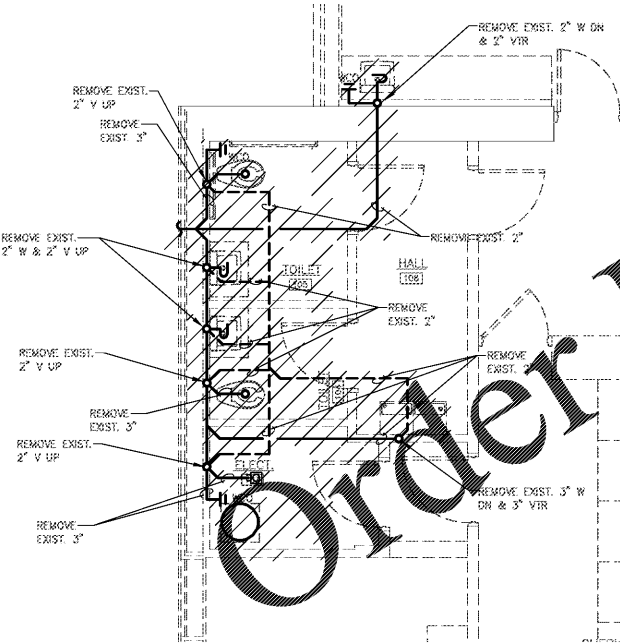
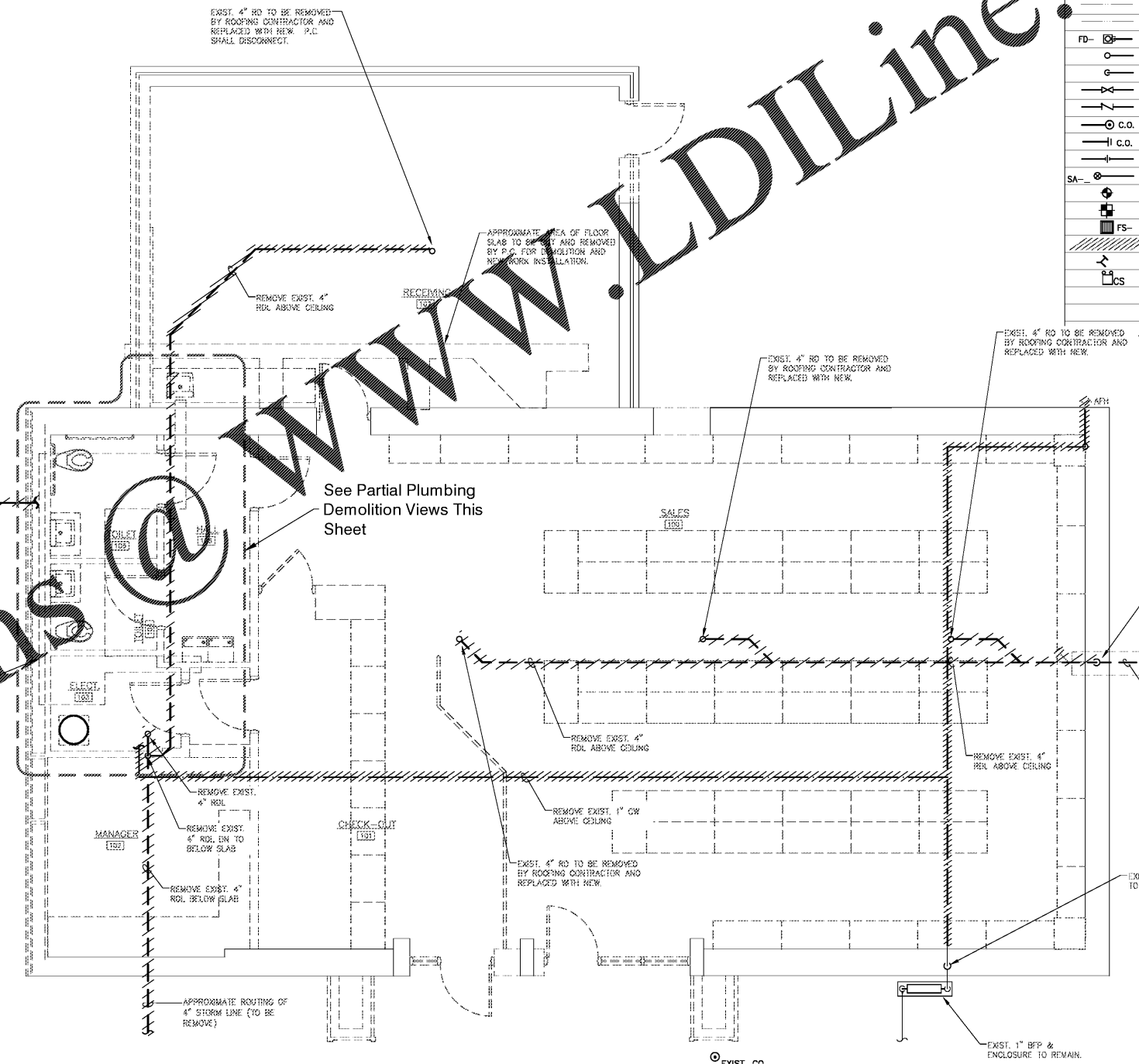


**3** Partial Plumbing Demolition Plan  
P1.1 SCALE: 1/4" = 1'-0" Water



**2** Partial Plumbing Demolition Plan  
P1.1 SCALE: 1/4" = 1'-0" Waste & Vent



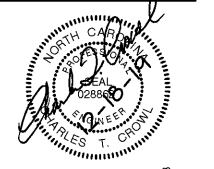
**1** Plumbing Demolition Plan  
P1.1 SCALE: 1/4" = 1'-0"

**GENERAL PLUMBING DEMOLITION NOTES:**

- UNLESS NOTED OTHERWISE ALL PIPING AND FIXTURES ARE TO BE REMOVED AS INCLUDED WITHIN DEMOLITION HATCH AREAS.
- NO EXISTING PIPING SHALL BE LEFT OPEN AFTER PARTIAL REMOVAL. PIPES SHALL BE CAPPED OR EITHER MADE READY FOR CONNECTION TO NEW WORK.
- FIELD VERIFY ALL EXISTING PIPE LOCATIONS, SIZES, AND INVERTS. THIS IS TO INCLUDE ALL COLD, HOT, AND HOT WATER RETURN PIPING, DRAIN WASTE AND VENT PIPING. REVIEW ALL NEW WORK PLANS THOROUGHLY PRIOR TO STARTING DEMOLITION.
- REMOVE EXISTING ABANDONED PIPE HANGERS, RODS, AND SUPPORTS DURING DEMOLITION.
- ALL WALL CUTTING, CONCRETE DEMOLITION, CUTTING, AND REMOVAL FOR PLUMBING WORK SHALL BE COMPLETED AS PART OF THE PLUMBING CONTRACT. ALL CONCRETE FLOOR AND WALL PATCHING SHALL BE COMPLETED UNDER THE GENERAL CONTRACT.
- CONTRACTOR SHALL COORDINATE ALL SYSTEM SHUTDOWNS FOR DEMOLITION AND NEW WORK WITH OWNER.

PLUMBING LEGEND	
CW	COLD WATER
DN	DOWN
FD	FLOOR DRAIN
HW	HOT WATER
HWR	HOT WATER RECIRCULATING
SS	SANITARY SEWER
V	VENT
VTR	VENT THRU ROOF
W	WASTE
AND	AS NOTED OTHERWISE
---	SANITARY SEWER PIPING
---	VENT PIPING
P-	PLUMBING FIXTURE
---	COLD WATER PIPING
---	HOT WATER PIPING
---	HOT WATER RECIRCULATING PIPING
---	STORM SEWER PIPING
---	EXISTING SANITARY SEWER PIPING
---	EXISTING VENT PIPING
---	EXISTING STORM SEWER PIPING
---	EXISTING COLD WATER PIPING
---	EXISTING HOT WATER PIPING
---	EXISTING HOT WATER RECIRC. PIPING
FD-	FLOOR DRAIN
○	ELBOW UP
○	ELBOW DOWN
⊥	SERVICE (BALL) VALVE
⊥	CHECK VALVE
○	C.O. CLEAN OUT - FINISHED FLOOR
⊥	WALL CLEAN OUT
+	UNION
SA-	SHOCK ARRESTOR
+	CONNECT TO EXISTING
+	TERMINATION POINT OF DEMOLITION
FS-	FLOOR SINK
⊥	DEMOLITION OF EXISTING
⊥	HOSE BIBB

These drawings are instruments of service and as such remain the property of the architect. No copies or reproductions of these drawings are permitted without the consent of the architect. Upon completion of the work all the drawings (except the contract copies) are to be returned to the architect.  
Copyright © 2019



1920 Hwy. 54, Suite 700, Durham, NC 27713  
Ph. 919-544-1936 - Fax 919-544-2540 - License: C-1813

RENOVATIONS TO:

ABC STORE

HOLLOWAY ST.  
DURHAM, NC

PROJECT NUMBER  
19-063

Plumbing Demolition Plan

**DTW**  
Architects &  
Planners, Ltd.  
229 North Gregson Street  
Durham, NC 27701  
919.317.4020

CONSTRUCTION DOCUMENTS

Revisions

Drawn LDH  
Checked CTC  
Date 12/18/2019  
Sheet

P1.1



P:\PROJECTS\19-063-ABC STORE - HOLLOWAY ST.\19-063 PLUMBING\19-063 PLUMBING.dwg PLOTTED 12/18/2019 2:12 PM BY: GABRIEL HESTER