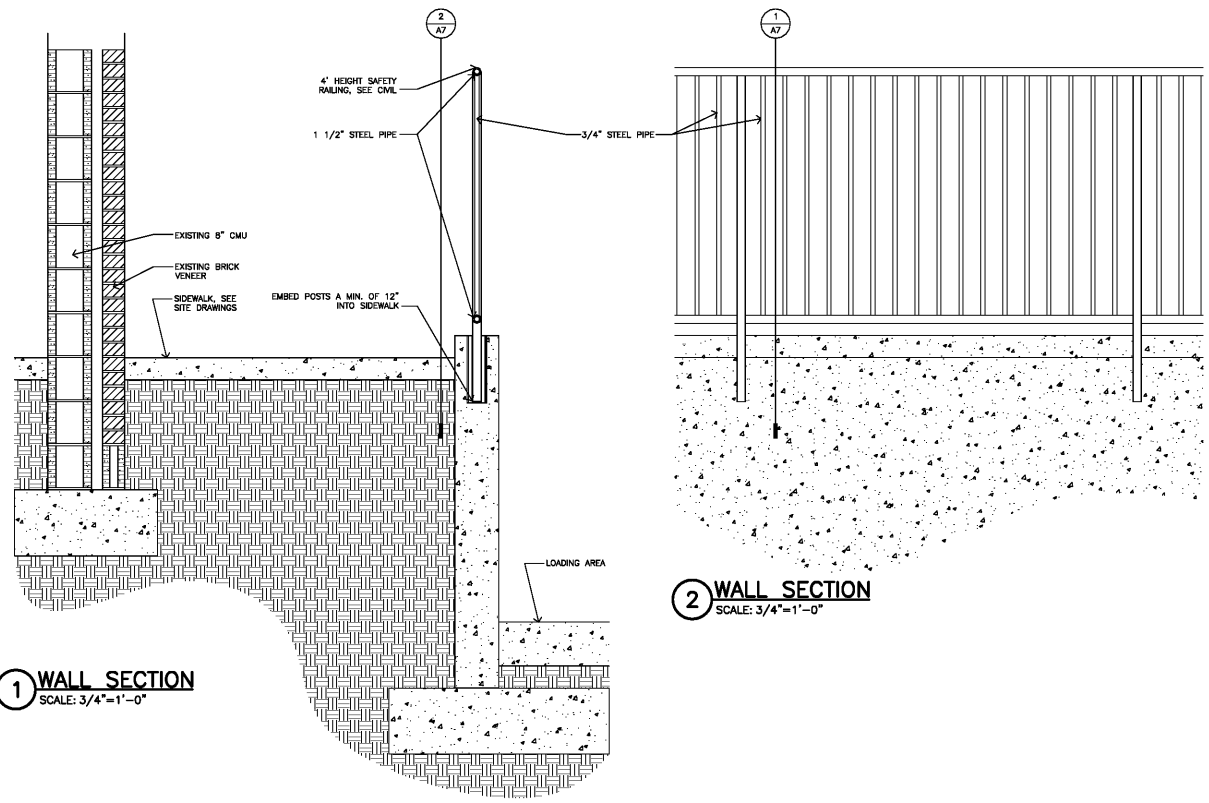
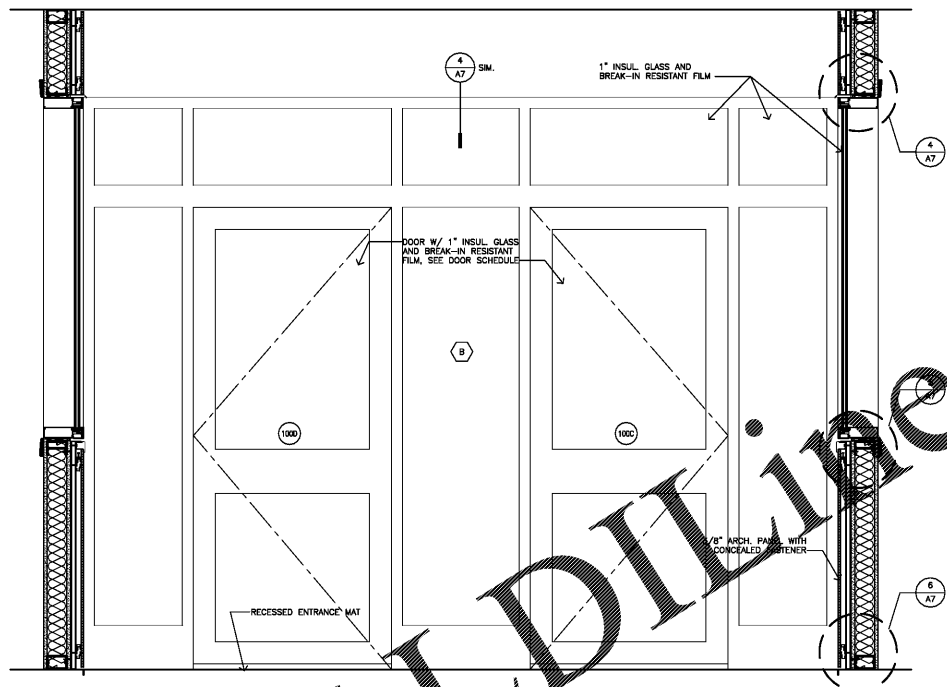
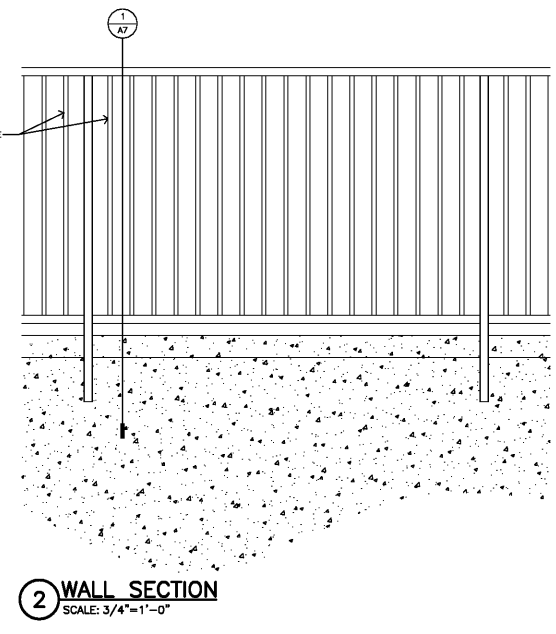


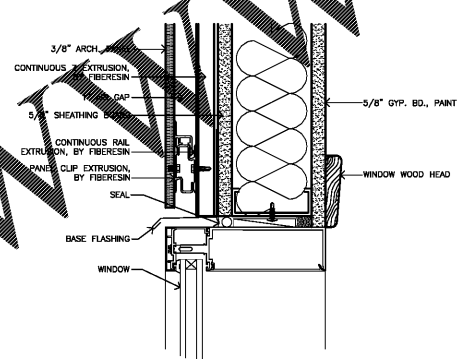
These drawings are instruments of service and as such remain the property of the architect. No copies or reproductions of these drawings are permitted without the consent of the architect. Upon completion of the work all the drawings (except the contract copies) are to be returned to the architect.  
Copyright © 2019



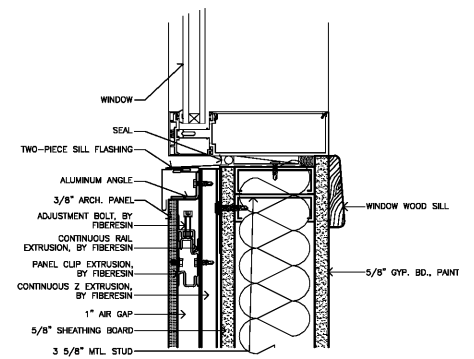
1 WALL SECTION  
SCALE: 3/4"=1'-0"



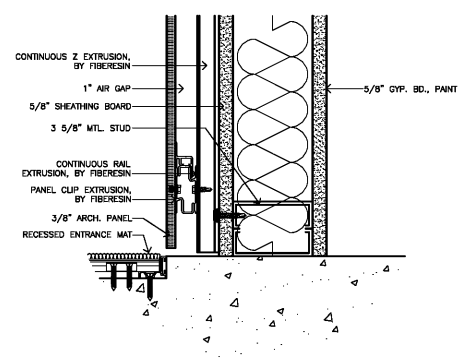
3 ENTRANCE SECTION  
SCALE: 3/4"=1'-0"



4 WINDOW HEAD SECTION  
SCALE: 3"=1'-0"



5 WINDOW SILL SECTION  
SCALE: 3"=1'-0"



6 BASE OF WALL SECTION  
SCALE: 3"=1'-0"

Order Plans @

9 WALL SECTION  
SCALE: 3"=1'-0"

8 DETAIL @ ROLL-UP DOOR  
SCALE: 3"=1'-0"

7 ACCESS LADDER DETAIL  
SCALE: 3"=1'-0"

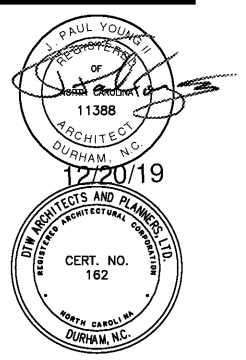
WALL SECTIONS

RENOVATIONS AND ADDITIONS TO:

HOLLOWAY STREET ABC STORE

1928 HOLLOWAY ST. DURHAM, NC

PROJECT NUMBER 19002



**DTW**  
Architects & Planners, Ltd.  
229 North Gregson Street  
Durham, NC 27701  
919.317.4020

BID DOCUMENTS FOR PERMIT  
Revisions

Drawn I.L.V.  
Checked J.P.Y.  
Date 12/22/19  
Sheet

A7  
Of