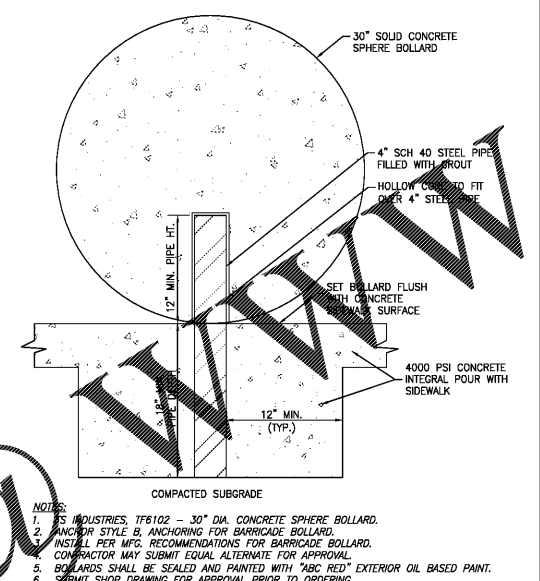
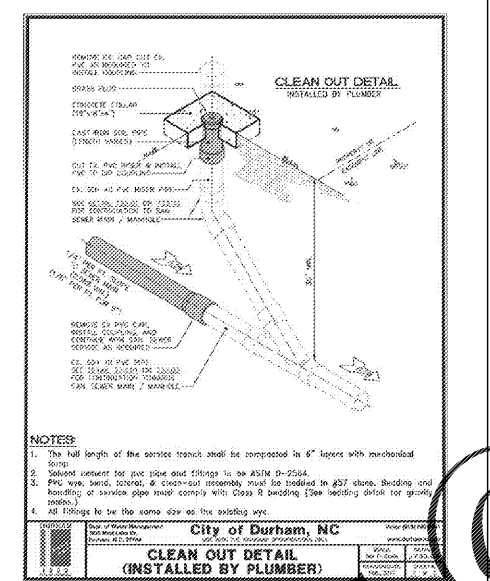
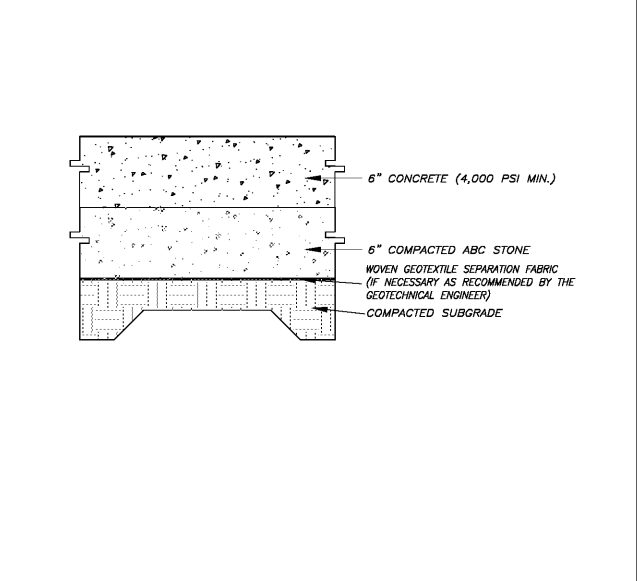


1 / C802
 NCDOT CONCRETE CATCH BASIN
 NTS

2 / C802
 CONCRETE CATCH BASIN
 NTS



3 / C802
 CONCRETE PARKING
 NTS

4 / C802
 CLEAN OUT DETAIL
 SCALE: NTS

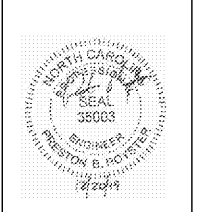
5 / C802
 30" SPHERE BOLLARD
 SCALE: NTS

Order Plans @ WWW.LDILine.com



Coulter Jewell Thames, Inc.
 111 West Main Street
 Durham, N.C. 27701
 p 919.682.0368
 f 919.688.5646
 www.cjtpa.com

NC BOARD OF EXAMINERS FOR ENGINEERS AND SURVEYORS LIC# C-1209
 NC BOARD OF LANDSCAPE ARCHITECTS LIC# 104



Project
HOLLOWAY STREET ABC STORE
 1928 AND 1930 HOLLOWAY STREET DURHAM, NC 27707
 DURHAM COUNTY NC

P.I.N. 0831-12-95-2949
 0831-12-95-3944

Job Number 1865
 Drawn A.P. ED
 Checked A.P. PBR
 Date 10/11/2019
 Revisions 1. 10/29/2019 COMMENTS
 2. 11/21/2019 COMMENTS
 3. 12/20/2019 BID PLANS

CONSTRUCTION DRAWINGS NOT ISSUED FOR CONSTRUCTION

Sheet Title
SITE DETAILS

Sheet Number
C802