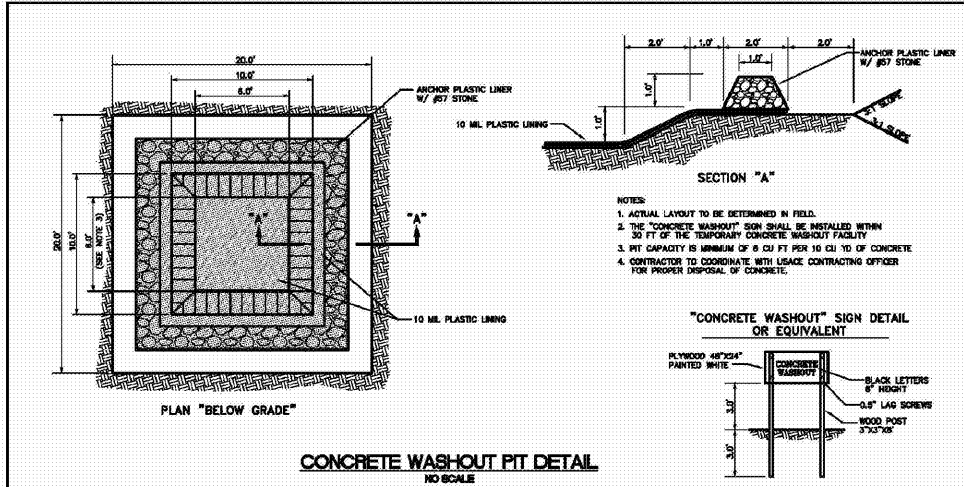


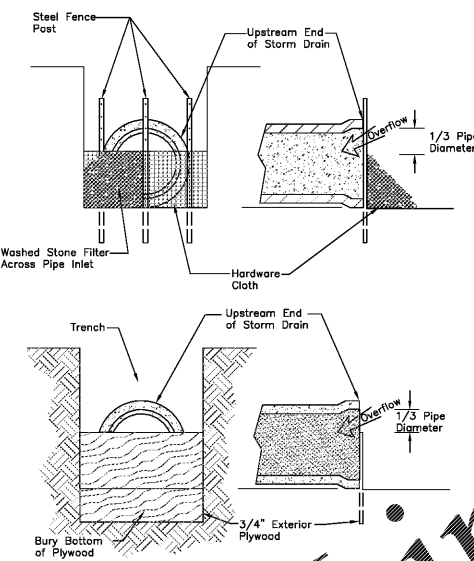
- CONSTRUCTION SPECIFICATIONS**
1. AVOID CURVES IN PUBLIC ROADS AND STEEP SLOPES. REMOVE ALL VEGETATION AND OTHER OBJECTIONABLE MATERIAL FROM FOUNDATION AREA. GRADE AND CROWN FOUNDATION FOR POSITIVE DRAINAGE.
 2. IF THE SLOPE TOWARD THE ROAD EXCEEDS 2%, CONSTRUCT A RIDGE, 6 TO 8 INCHES HIGH WITH 3:1 SIDE SLOPES, ACROSS THE FOUNDATION APPROXIMATELY 15 FT FROM THE ENTRANCE TO DIVERT RUNOFF AWAY FROM THE PUBLIC ROAD.
 3. PLACE GEOTEXTILE FABRIC ON GRADED FOUNDATION TO IMPROVE STABILITY, ESPECIALLY WHERE WET CONDITIONS ARE ANTICIPATED.
 4. PLACE STONE TO DIMENSIONS AND GRADE SHOWN ON PLANS. LEAVE SURFACE SMOOTH AND SLOPED FOR DRAINAGE.
 5. INSTALL PIPE UNDER PAD IF NEEDED TO MAINTAIN PROPER PUBLIC ROAD DRAINAGE.

MAINTENANCE
 MAINTAIN THE GRAVEL PAD IN A CONDITION TO PREVENT MUD OR SEDIMENT FROM LEAVING THE CONSTRUCTION SITE. THIS MAY REQUIRE PERIODIC TOPDRESSING WITH 2-INCH STONE. AFTER EACH RAINFALL, INSPECT ANY STRUCTURE USED TO TRAP SEDIMENT AND CLEAN IT OUT AS NECESSARY. IMMEDIATELY REMOVE ALL OBJECTIONABLE MATERIALS SPILLED, WASHED, OR TRACKED ONTO PUBLIC ROADWAYS.

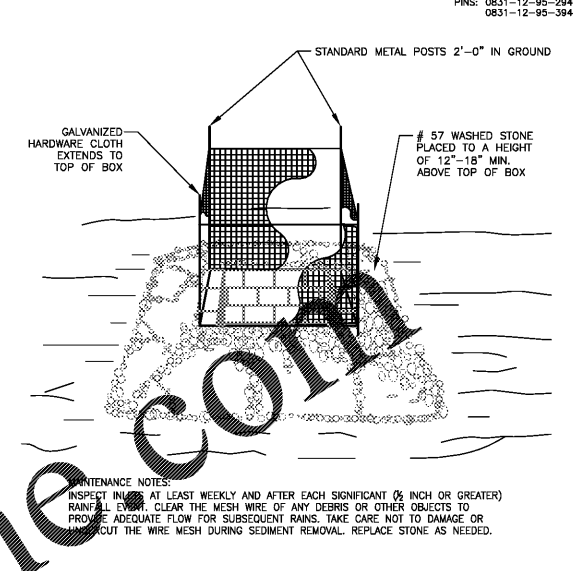
1/C402
 CONSTRUCTION ENTRANCE
 NTS



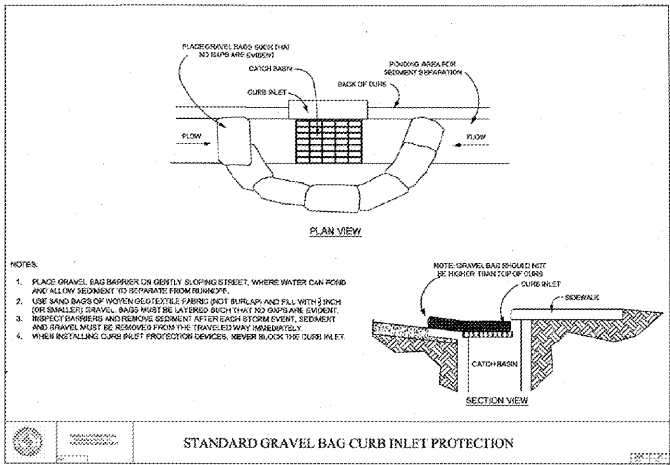
2/C402
 CONCRETE WASHOUT
 NTS



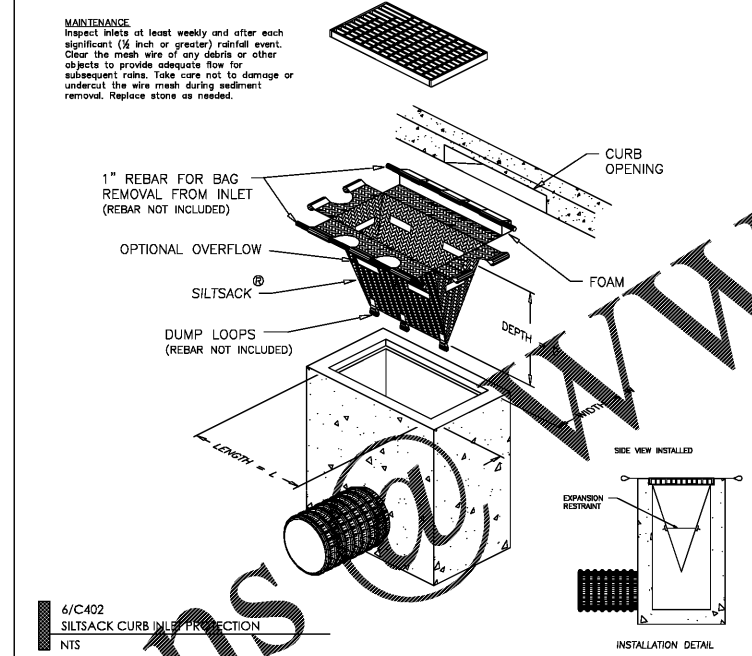
3/C402
 PROTECTION OF OPEN PIPE END
 NTS



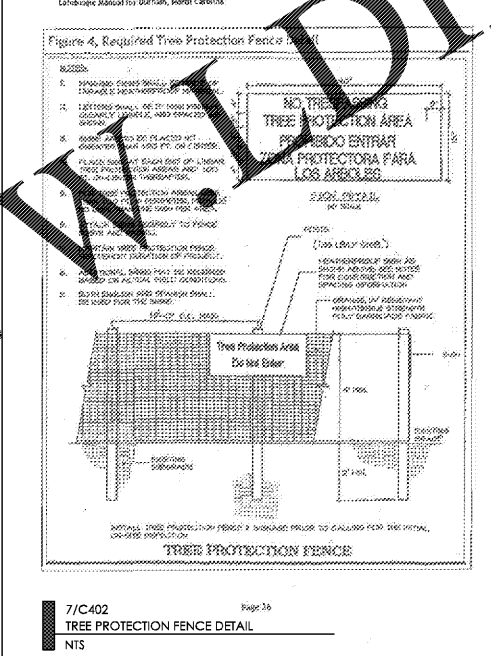
4/C402
 BLOCK AND GRAVEL INLET PROTECTION
 NTS



5/C402
 GRAVEL BAG CURB INLET PROTECTION
 NTS



6/C402
 SILTSACK CURB INLET PROTECTION
 NTS



7/C402
 TREE PROTECTION FENCE DETAIL
 NTS

EASTCOAST
 erosion blankets

MATERIAL SPECIFICATION

12Wattle
12\"/>

The 12\"/>

MATERIALS:

- Fiber: 100% Straw Fiber
- Weight: 4.5 lbs/sq ft
- Netting: Tubular Black polypropylene
- Placemats: Phosphoramide
- Classes: Mod. 710

8/C402
 12\"/>
 NTS

NOTE:
 BASE BID TO INCLUDE ANY TEMPORARY SEEDING REQUIRED

Site Area Description	Stabilization Time Frame	Stabilization Time Frame Exceptions
Perimeter dikes, swales, ditches, and slopes	7 days	None
High Quality Water (HQW) Zones	7 days	None
Slopes steeper than 3:1	7 days	If slopes are 3:1 or less in length and are not steeper than 1:1, 14 days are allowed
Slopes 3:1 or flatter	14 days	7 days for slopes greater than 1:1 in length
All other areas with slopes flatter than 4:1	14 days	None (except perimeter and HQW Zones)

STABILIZATION TIME TABLE

1. All permanent dikes, swales, ditches, perimeter slopes, and all slopes steeper than 3:1 shall be provided with temporary or permanent stabilization with groundcover as soon as practicable but within 7 calendar days from last land-disturbing activity.

2. All other disturbed areas shall be provided with temporary or permanent stabilization with groundcover as soon as practicable but in any event within 4 calendar days from last land-disturbing activity.

***EXPOSED AREAS INCLUDE, BUT ARE NOT LIMITED TO:**

- AREAS CLEARED FOR ROADWAY CONSTRUCTION.
- AREAS CLEARED ON HOODEN DEVELOPMENT LOTS.
- DRAINAGE CEMENTS AND DRAINAGE CHANNELS.
- SEMI-ARID AND EROSION CONTROL MEASURES (SEDIMENT BINS, DIVERSION DITCHES, ETC.) AND THE AREAS ADJACENT TO SUCH MEASURES.

COVER	DATE	SEEDS	SPRINGS	STOLONS
FALL/WINTER SPRING TEMPORARY COVER	AUGUST 15 - MAY 1	Lime	100 lbs/1000 sf	
		10-10-10 Fertilizer	25 lbs/1000 sf	
		Oat Seed	2 lbs/1000 sf	
SUMMER TEMPORARY COVER	MAY 1 - AUGUST 15	Lime	100 lbs/1000 sf	
		10-10-10 Fertilizer	15 lbs/1000 sf	
		Browntop Millet Seed	1 lbs/1000 sf	
SPRING/FALL PERMANENT COVER	MARCH 1 - APRIL 30	Lime	100 lbs/1000 sf	
		10-10-10 Fertilizer	15 lbs/1000 sf	
		Improved Turf Type Fine Fescue Seed	8 lbs/1000 sf	
SUMMER PERMANENT COVER	APRIL 1 - AUGUST 15	Lime	100 lbs/1000 sf	
		10-10-10 Fertilizer	15 lbs/1000 sf	
		Improved Turf Type Fine Fescue Seed	8 lbs/1000 sf	

1. OPTIMUM DATE OF PLANTING. SEEDING BEYOND THESE DATES INCREASES THE CHANCE OF FAILURE.

2. POUNDS PER 1000 SQ.FT.

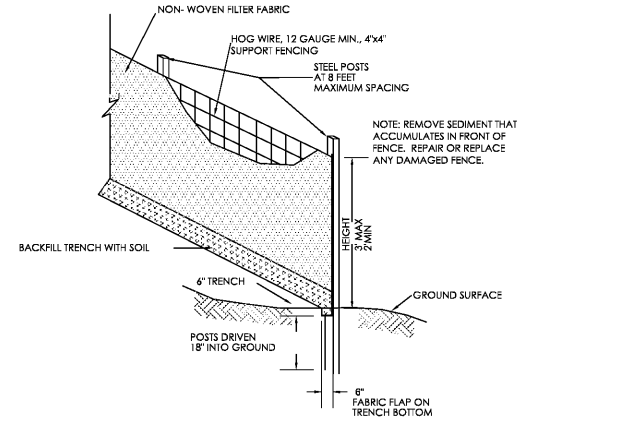
3. BUSHELS PER 1000 SQ.FT.

Seedbed Preparation: Remove rocks, stumps, roots, etc. Apply lime and fertilizer then rip the soil 4 to 6 inches to mix the nutrients into the soil and to loosen and roughen it to receive seed.

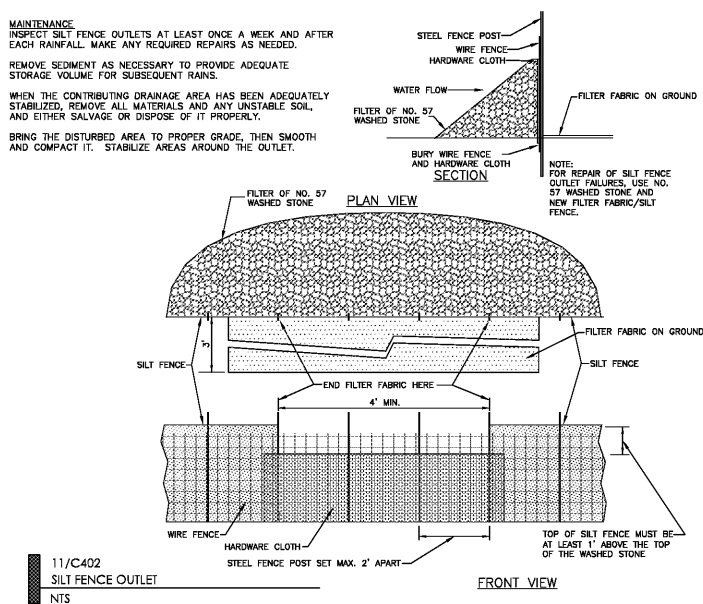
Seed Temporary cover to stabilize temporary sedimentation control measures and other accomplished if planting season is not suitable for installation of permanent cover. Contractor shall install temporary cover suitable for that season and reseed with permanent grass at earliest possible date.

* Anchor straw mulch by applying an asphalt binder emulsion at a rate of 10 gallons per 1000 SF, or install jute, paper or twine netting or excelsior mats staked to ground according to the manufacturer's instructions.

10/C402
 SILT FENCE
 NTS



- MAINTENANCE**
1. INSPECT SEDIMENT FENCES AT LEAST ONCE A WEEK AND AFTER EACH RAINFALL. MAKE ANY REQUIRED REPAIRS IMMEDIATELY.
 2. SHOULD THE FABRIC OF A SEDIMENT FENCE COLLAPSE, TEAR, DECOMPOSE OR BECOME INEFFECTIVE, REPLACE IT PROMPTLY.
 3. REMOVE SEDIMENT DEPOSITS AS NECESSARY TO PROVIDE ADEQUATE STORAGE VOLUME FOR THE NEXT RAIN AND TO REDUCE PRESSURE ON THE FENCE. TAKE CARE TO AVOID UNDERMINING THE FENCE DURING CLEANOUT.
 4. REMOVE ALL FENCING MATERIALS AND UNSTABLE SEDIMENT DEPOSITS AND BRING THE AREA TO GRADE AND STABILIZE IT AFTER THE CONTRIBUTING DRAINAGE AREA HAS BEEN PROPERLY STABILIZED.



11/C402
 SILT FENCE OUTLET
 NTS

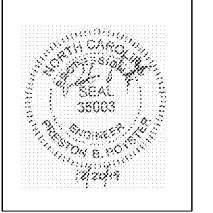
9/C402
 SEEDING SCHEDULE
 NTS

Coulter Jewell Thames

111 West Main Street
 Durham, N.C. 27701
 p 919.682.0368
 f 919.688.5646
 www.cjtpa.com

NC BOARD OF EXAMINERS FOR ENGINEERS AND SURVEYORS LIC# C-1209
 NC BOARD OF LANDSCAPE ARCHITECTS LIC# 104

Durham ABC Store
 Durham County Planning & Development Board



Project
HOLLOWAY STREET ABC STORE

1928 AND 1930
 HOLLOWAY STREET
 DURHAM, NC 27707

DURHAM COUNTY NC

P.I.N. 0831-12-95-2949
 0831-12-95-3944

Job Number 1865

Drawn: A.P. ED
 Checked: A.P. PBR
 Date: 10/11/2019

Revisions:
 1. 10/29/2019 COMMENTS
 2. 11/21/2019 COMMENTS
 3. 12/20/2019 BID PLANS

CONSTRUCTION DRAWINGS NOT ISSUED FOR CONSTRUCTION

Sheet Title
EROSION CONTROL DETAILS

Sheet Number
C402