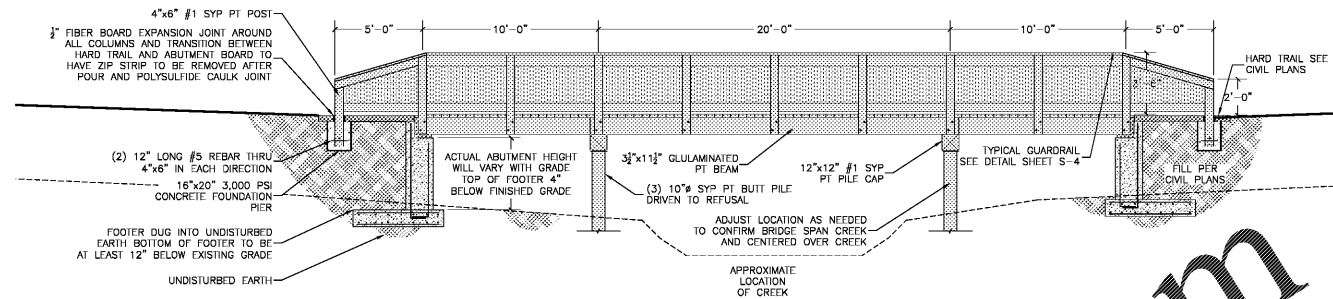
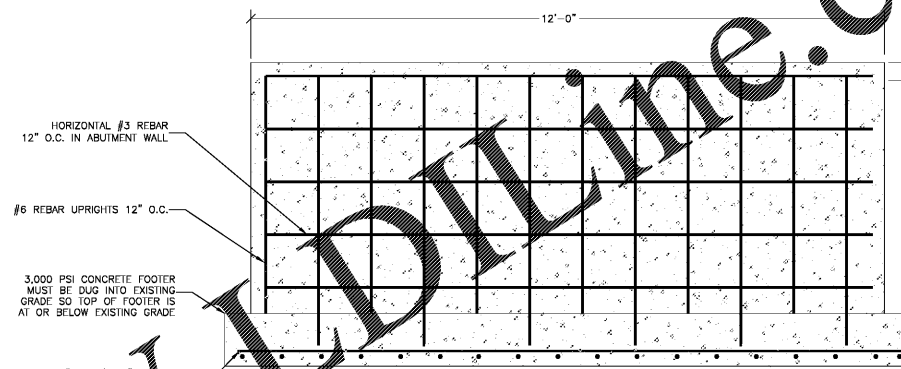


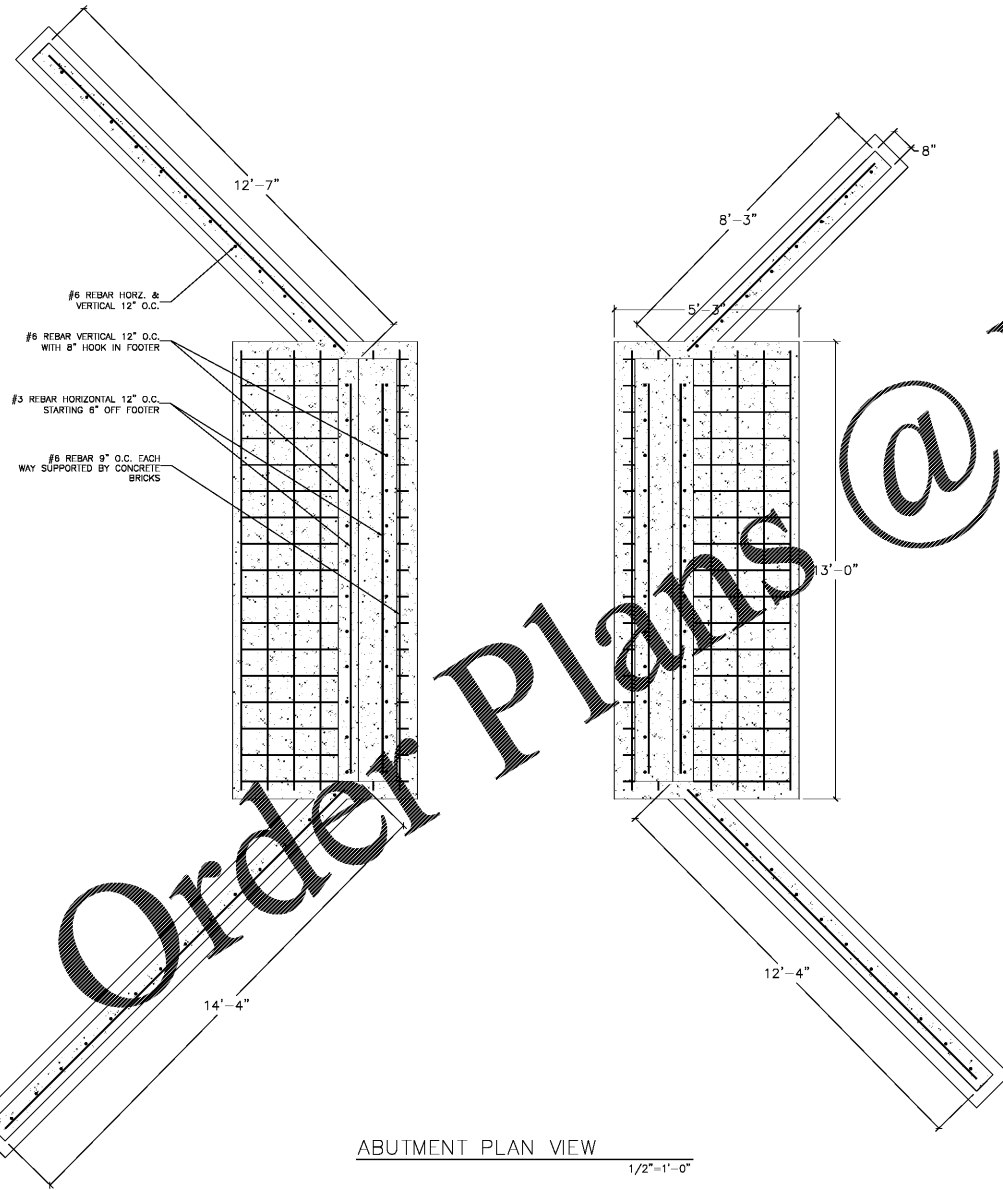
BRIDGE #2 PLAN VIEW
STA. 71+06 TO 71+46 1/4"=1'-0"



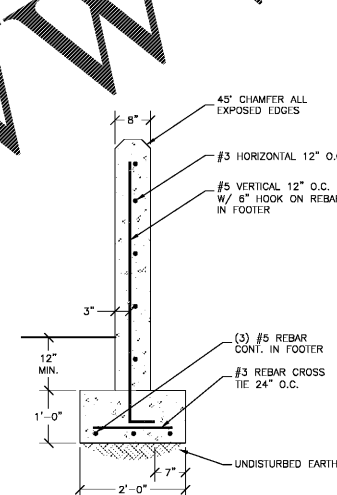
BRIDGE #2 ELEVATION
STA. 71+06 TO 71+46 1/4"=1'-0"



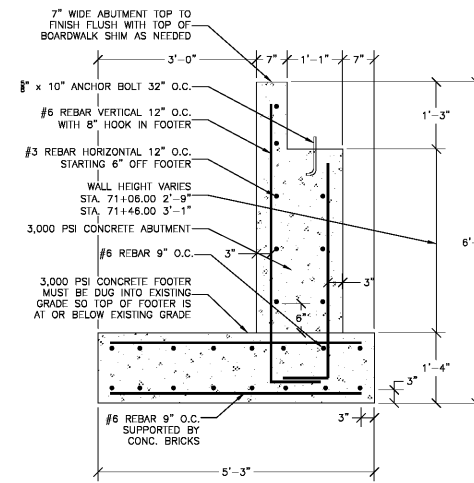
ABUTMENT DETAIL
3/4"=1'-0"



ABUTMENT PLAN VIEW
1/2"=1'-0"



WING WALL SECTION
3/4"=1'-0"



ABUTMENT DETAIL
3/4"=1'-0"

GWINNETT COUNTY APPROVAL

GWINNETT COUNTY
Department of Planning and Development

These project documents have been reviewed by applicable County Departments and have been found to be in substantial compliance with the applicable codes and regulations.

Oct08, 2018
AUTHORIZED

Matthew Parker
Digital Signature
Date: 2018/10/03 10:15:00

BOARDWALK #2 DETAILS

PARKER
CONSULTING SERVICES, INC.
CIVIL ENGINEERS
8849 KILLEARN CENTER CT
TALLAHASSEE, FL 32305 PHONE: (850) 877-8400
MATTHEW PARKER PE# 85724 C.A.P. 9603

Project Title
LLOYD N. HARRIS TRAIL @ HARBINS PARK
2995 LUKE EDWARDS ROAD
BY: GWINNETT COUNTY DEPT. OF COMMUNITY SERVICES
LAWRENCEVILLE, GEORGIA

REVISIONS	BY

DRAWN BY LMF
CHECKED BY MP
DATE: 10/03/19
SCALE:
JOB No. 18-LD-068
SHEET NUMBER

S-7