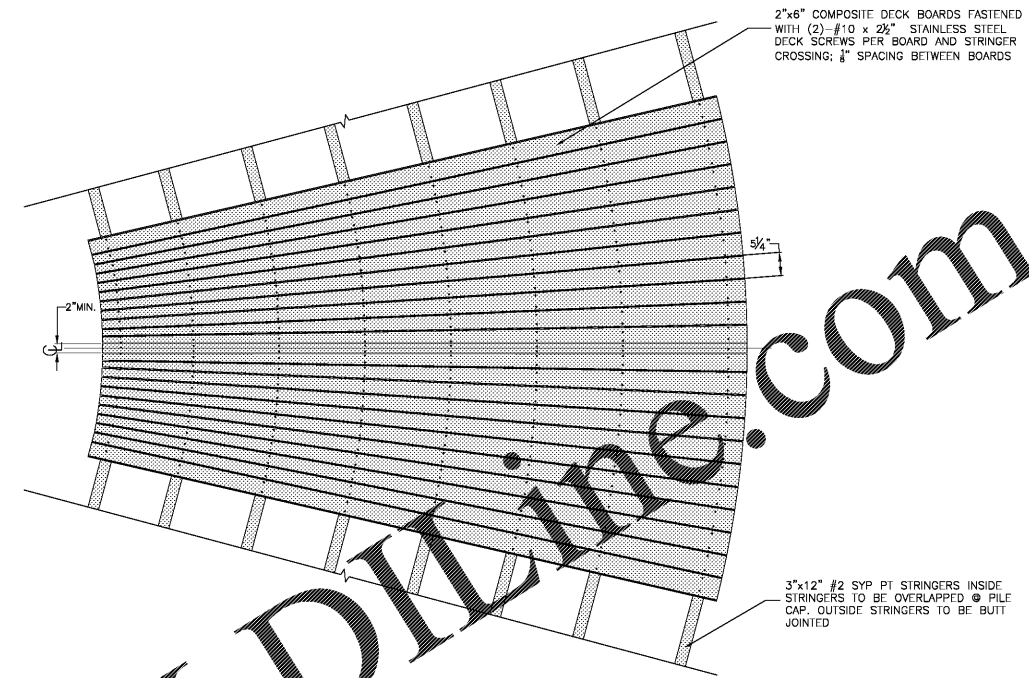


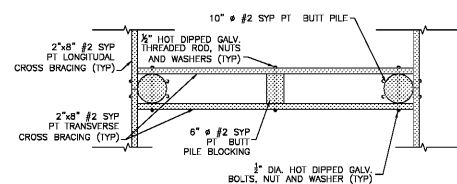
ANGLE BOARDWALK DETAIL

3/4"-1'-0"



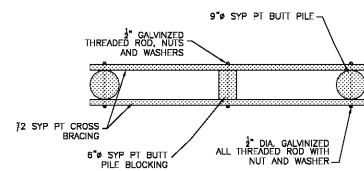
CURVE RADIUS DECK BOARD DETAIL

3/4"-1'-0"



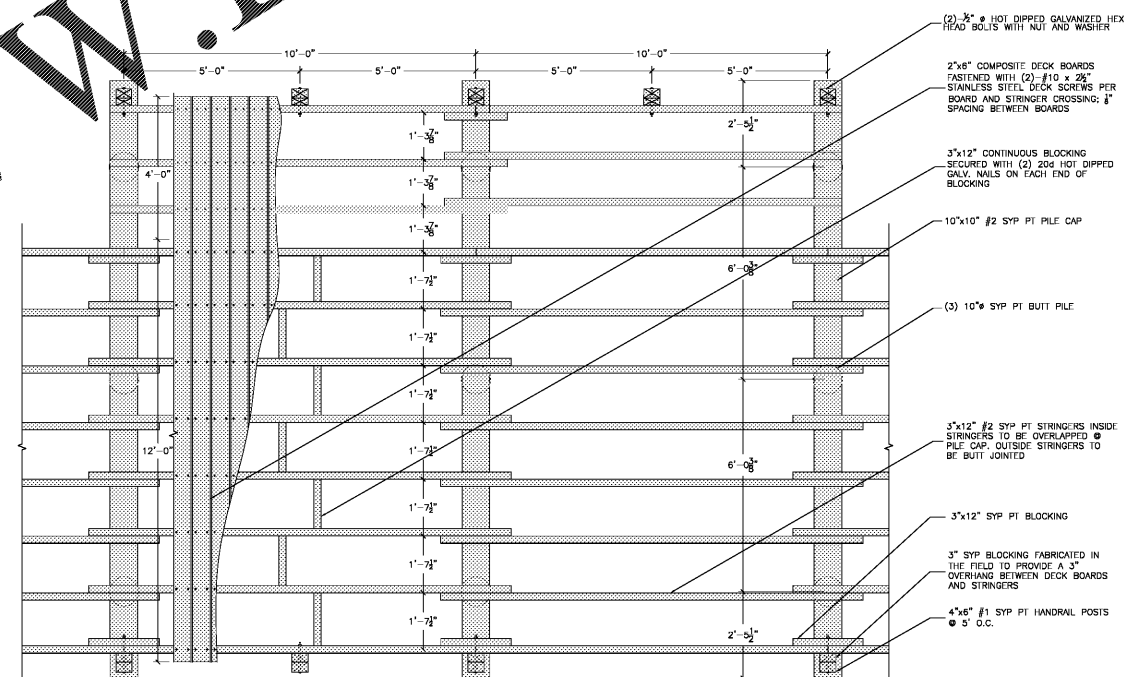
TOWER CROSS BRACING DETAIL 12'-19'

NTS



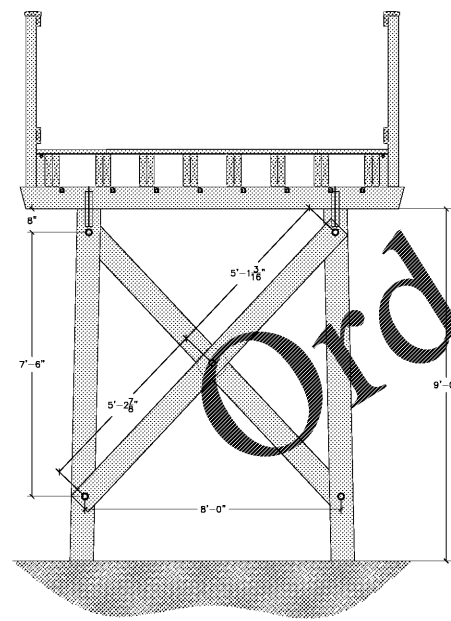
CROSS BRACING DETAIL 6'-11'

NTS



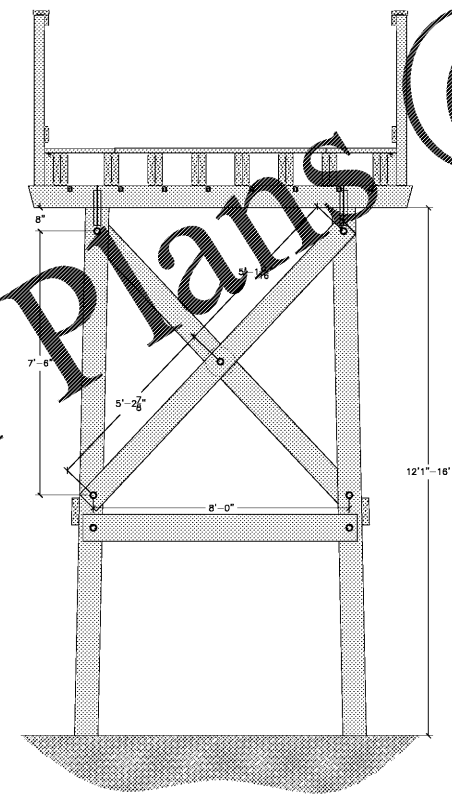
4'X20' OVERLOOK PLAN VIEW

1/2"-1'-0"



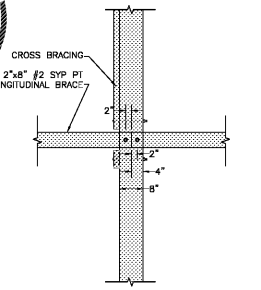
CROSS BRACING DETAIL 9'-12'

NTS



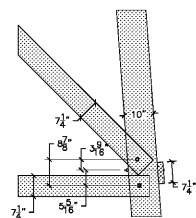
TOWER CROSS BRACING DETAIL 12'1'-16'

NTS



TOWER JOINT DETAIL FOR TOWER BRACING

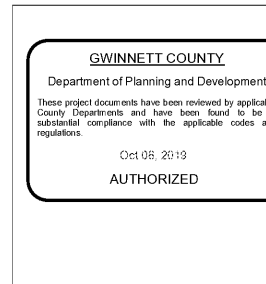
NTS



TYPICAL JOINT DETAIL FOR CROSS BRACING

NTS

GWINNETT COUNTY APPROVAL



BOARDWALK #1 DETAILS

PARKER CONSULTING SERVICES, INC. CIVIL ENGINEERS
1809 FLEET CENTER CT
TALLAHASSEE, FL 32305 PHONE: (904) 877-8400
MATTHEW PARKER, P.E.#574 CA# 9003

Project Title
LLOYD N. HARRIS TRAIL @ HARBINS PARK
2995 LUKE EDWARDS ROAD
BY: GWINNETT COUNTY DEPT. OF COMMUNITY SERVICES
LAWRENCEVILLE, GEORGIA

REVISIONS	BY

DRAWN BY LMF
CHECKED BY MP
DATE: 10/03/19
SCALE: NTS
JOB No. 18-LD-068
SHEET NUMBER

S-5