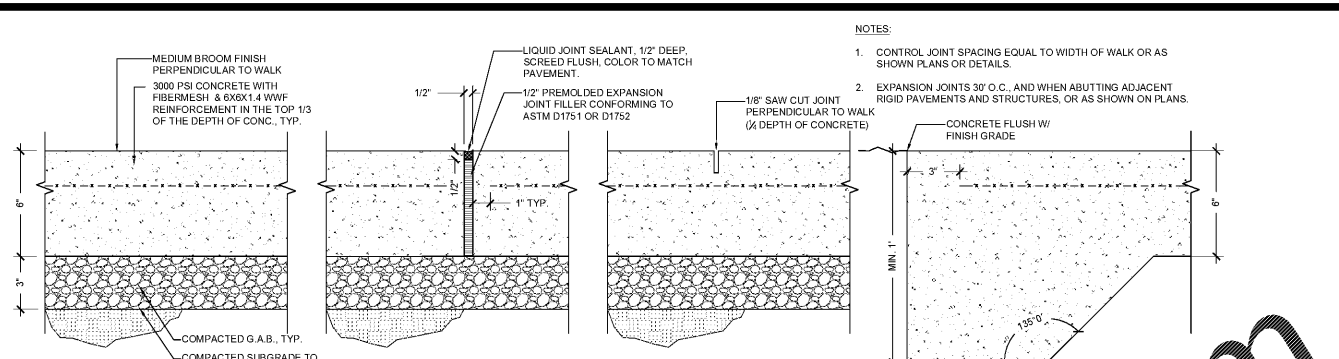


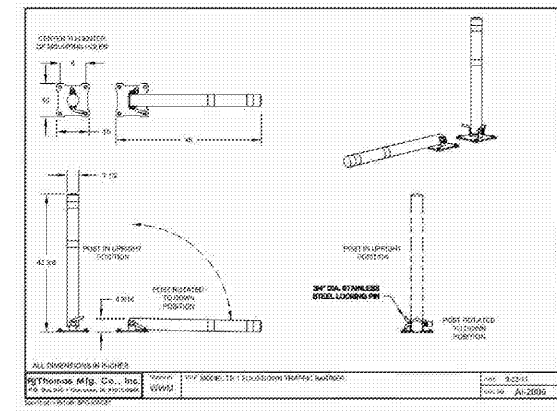
LIGHT-DUTY CONCRETE PAVEMENT
SCALE: N.T.S.



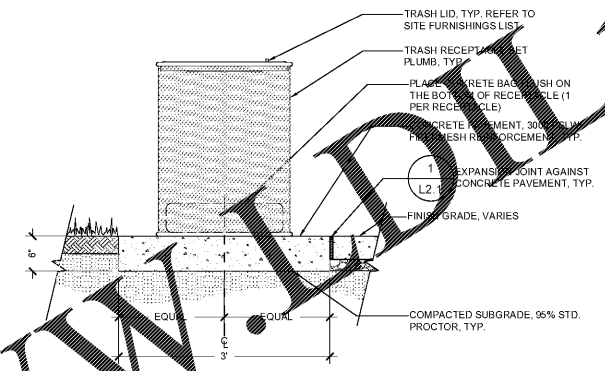
HEAVY-DUTY CONCRETE PAVEMENT
SCALE: N.T.S.

Pilot Rock SITE PRODUCTS

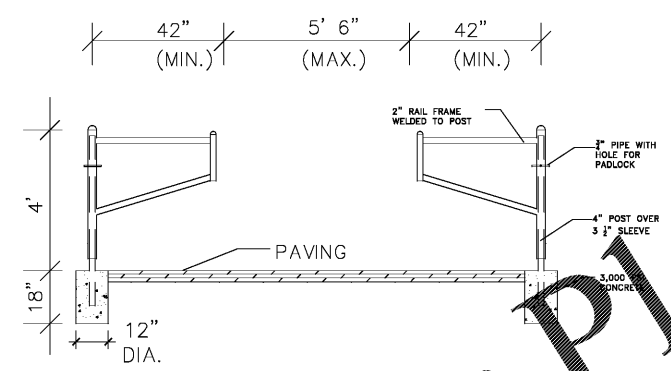
3/4" Dia. 1.8" tall steel pipe post. 3/4" Dia. 1.8" tall steel pipe post. 3/4" Dia. 1.8" tall steel pipe post. 3/4" Dia. 1.8" tall steel pipe post. 3/4" Dia. 1.8" tall steel pipe post.



VEHICULAR EXCLUSION BOLLARD
SCALE: N.T.S.



SECTION - TRASH RECEPTACLE
SCALE: N.T.S.



HORNE GATE
SCALE: N.T.S.

NOTES:

- ALL POSTS, RAILS, CAPS & ACCESSORIES TO BE GALVANIZED.
- POST SHOULD ROTATE EASILY AROUND SLEEVE WHEN 3/4" PIPE IS REMOVED.
- HOLE FOR 3/4" PIPE SHOULD BE LARGE ENOUGH TO ALLOW FOR EASY REMOVAL WHEN UNLOCKED.
- GATE TO BE LOCKABLE IN BOTH OPEN OR CLOSED POSITION.

Order Plans @

REVISIONS	BY

DRAWN BY	CE
CHECKED BY	SP
DATE:	08 / 09 / 2019
SCALE:	N.T.S.
JOB No:	18-LD-068
SHEET NUMBER	L2.1

GWINNETT COUNTY
Department of Planning and Development
These project documents have been reviewed by applicable County Departments and have been found to be in substantial compliance with the applicable codes and regulations.
Oct 08, 2019
AUTHORIZED

FOR PERMIT ONLY