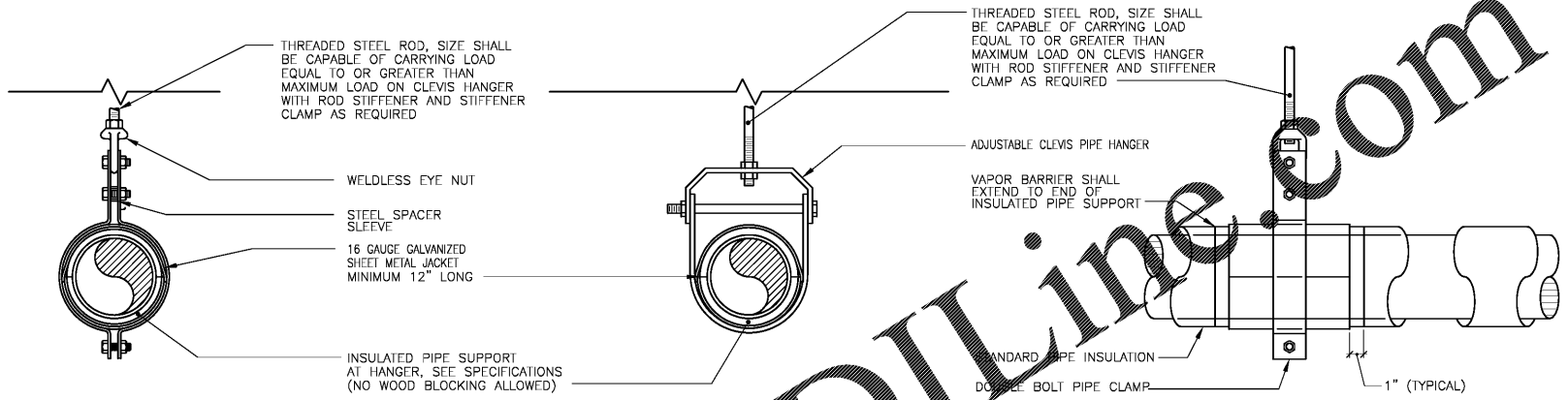
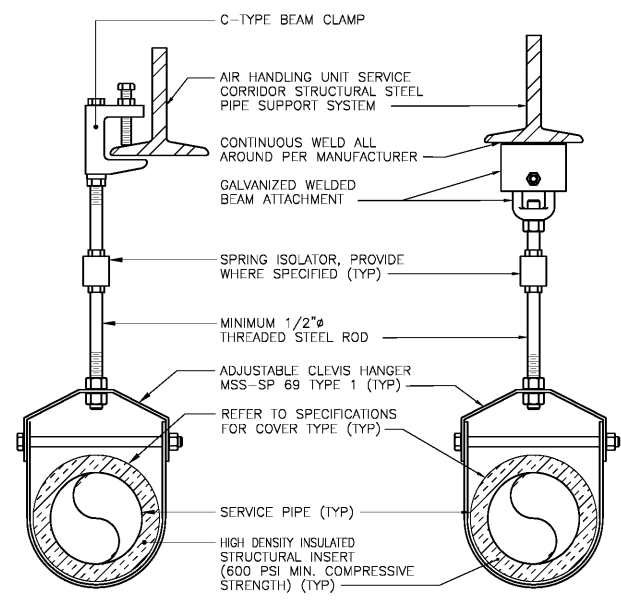


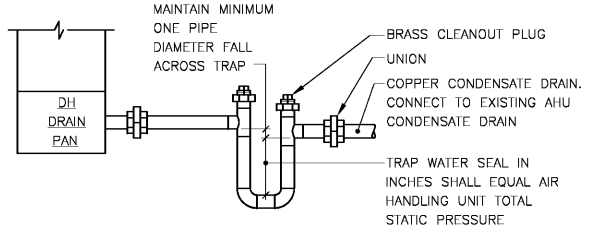
PROJECT NO.	18048.00
CD 50% CD	08/07/2018
CD 50% CD - SUBMIT	11/20/2018
CD 80% CD	10/04/2018
CD PERMIT SET	11/19/2018
CD BID SET	12/20/2018



- NOTES:**
- HANGER SPACING SHALL BE IN ACCORDANCE WITH THE PROJECT SPECIFICATIONS.
  - CLEVIS TYPE PIPE HANGERS SHALL BE USED FOR PIPE SIZES 10" AND SMALLER AND WHEN PIPING SYSTEMS ARE STATIONARY.
  - CONTRACTOR SHALL VERIFY MAXIMUM LOADING ON PIPE SUPPORT ASSEMBLIES.
  - ALL MECHANICAL PIPES AT EXPOSED CEILING STRUCTURES TO RUN DIRECTLY BELOW DECK. PIPES THAT RETURN TO A LOWER ROOM MUST TRAVEL VERTICALLY WITHIN THE WALL.

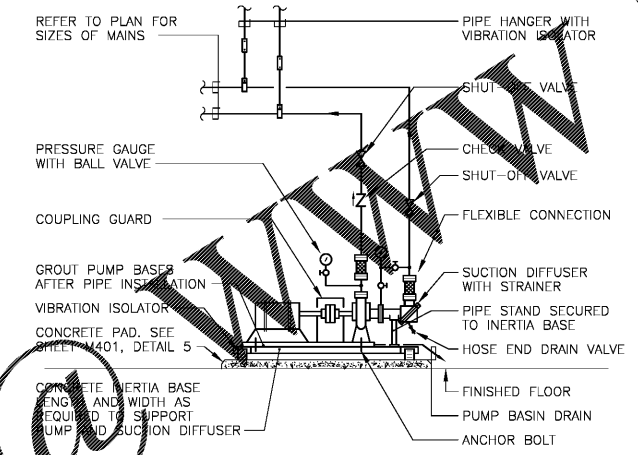
DETAIL - PIPE HANGER

SCALE: NONE 1



DETAIL - COIL CONDENSATE DEEP SEAL TRAP

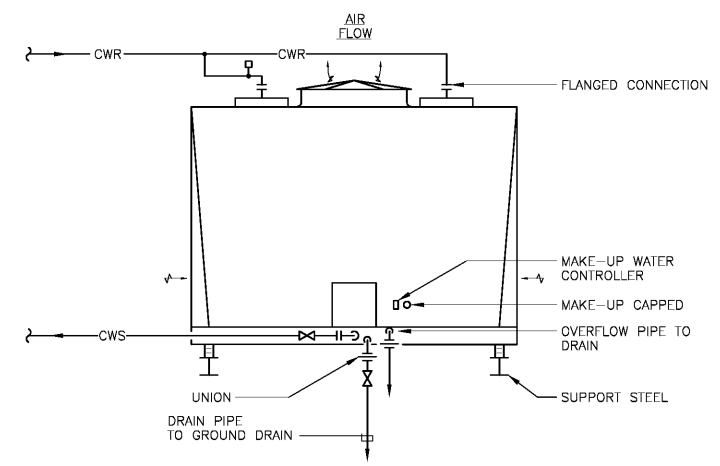
SCALE: NONE 2



- NOTES:**
- PUMP INSTALLATION DETAIL IS DIAGRAMMATIC AND INTENDED TO SHOW THE MAJOR COMPONENTS REQUIRED FOR INSTALLATION. THE INSTALLED PIPING CONFIGURATION SHALL BE BASED ON THE ACTUAL PUMP PROVIDED. THE CONTRACTOR SHALL OBTAIN APPROVAL AND COORDINATION DRAWING SHOWING PUMP, PIPING AND ACCESSORIES AS REQUIRED BY THIS INSTALLATION DETAIL.
  - INSTALL FLEXIBLE CONNECTORS AT ALL SUCTION AND DISCHARGE PUMP CONNECTIONS. FLEXIBLE HOSE SECTION TO BE 304 STAINLESS STEEL, CLOSE PITCH, ANNULAR CORRUGATED HOSE WITH A TYPE 304 BRAIDED OUTER COVERING.
  - PROVIDE ALL NEW PIPING AND ACCESSORIES FROM POINT INDICATED TO NEW PUMP.

DETAIL - CHILLED/HEATING WATER PUMP

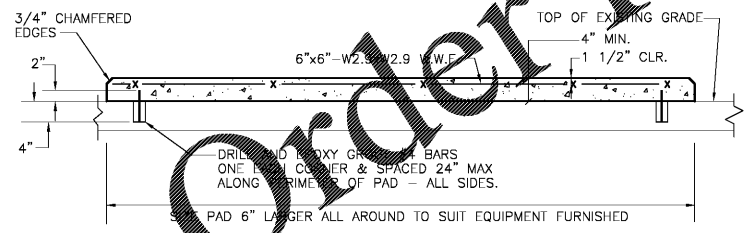
SCALE: NONE 3



- NOTES:**
- PROVIDE HEAT TRACE ON ALL EXPOSED ABOVE GROUND PIPING TO AND FROM NEW COOLING TOWER.
  - REFER TO STRUCTURAL DRAWINGS FOR DETAILS ON COOLING TOWER SUPPORTS AND SLAB ON GRADE.

DETAIL - COOLING TOWER

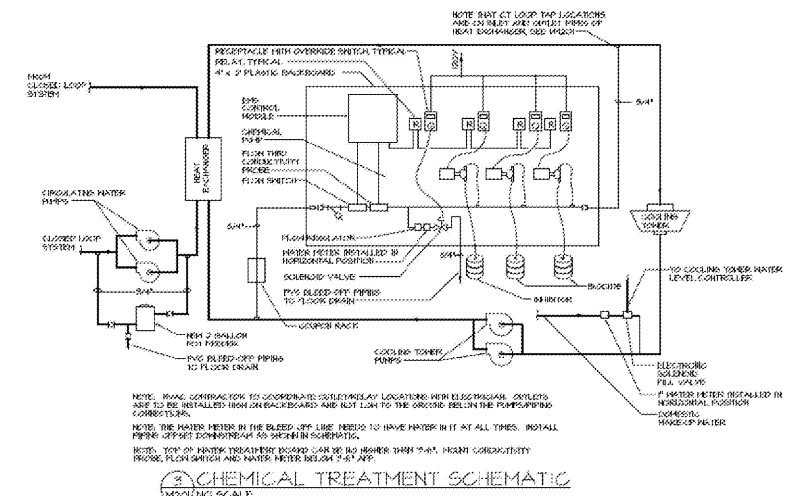
SCALE: NONE 4



- NOTES:**
- THIS DETAIL APPLIES TO ALL MECHANICAL EQUIPMENT CONCRETE PAD INSTALLATIONS, UNLESS NOTED OTHERWISE.
  - TROWELED FINISH.

DETAIL - CONCRETE PAD

SCALE: NONE 5



- NOTES:**
- INSTALL OPERATOR CONTROLS AND INSTRUMENTATION AS SPECIFIED IN THE PROJECT MANUAL.
  - INSTALL FLEXIBLE CONNECTORS AT ALL SUCTION AND DISCHARGE PUMP CONNECTIONS.
  - INSTALL FLEXIBLE CONNECTORS AT ALL SUCTION AND DISCHARGE PUMP CONNECTIONS.
  - INSTALL FLEXIBLE CONNECTORS AT ALL SUCTION AND DISCHARGE PUMP CONNECTIONS.

DETAIL - CHEMICAL TREATMENT

SCALE: NONE 6