

DESIGN CRITERIA
 DESIGN PER 2012 INTERNATIONAL BUILDING CODE WITH GEORGIA AMENDMENTS

RISK CATEGORY

STRUCTURAL STEEL (DESIGN PER CURRENT EDITION AISI):
 UNLESS OTHERWISE NOTED, MATERIALS SHALL BE AS FOLLOWS:
 ANGLES & PLATES: ASTM A36, Fy=36 KSI

ALL STRUCTURAL STEEL WORK SHALL BE IN ACCORDANCE WITH THE LATEST EDITIONS OF AISI "SPECIFICATIONS FOR STRUCTURAL STEEL BUILDINGS", AISI "CODE OF STANDARD PRACTICE FOR STEEL BUILDINGS AND BRIDGES", AND AWS D1.1 "STRUCTURAL WELDING CODE", EXCEPT AS MODIFIED BY THE REQUIREMENTS OF THE CONTRACT DOCUMENTS. PROOF OF WELDER CERTIFICATION SHALL BE AVAILABLE AT THE JOB SITE DURING TIMES OF INSPECTION.

CONCRETE WORK SHALL CONFORM TO THE REQUIREMENTS OF ACI 301. "SPECIFICATIONS FOR STRUCTURAL CONCRETE FOR BUILDINGS" (LATEST EDITION), EXCEPT AS MODIFIED BY THE REQUIREMENTS OF THE CONTRACT DOCUMENTS. THE CONTRACTOR SHALL EMPLOY AND PAY AN INDEPENDENT TESTING LABORATORY TO PERFORM CONCRETE TESTING.

SUPPLEMENTARY NOTES
 MCVEIGH & MANGUM ENGINEERING, INC OR ANY OF ITS EMPLOYEES SHALL NOT HAVE CONTROL OR BE RESPONSIBLE FOR CONSTRUCTION MEANS, METHODS, TECHNIQUES, PROCEDURES OR SEQUENCES FOR THE ACTS OR OMISSIONS OF THE CONTRACTOR OR ANY OTHER PERSONS PERFORMING THE WORK, OR FOR THE FAILURE OF ANY OF THEM TO CARRY OUT THE WORK IN ACCORDANCE WITH THE CONTRACT DOCUMENTS.

VISUAL OBSERVATIONS OF THE STRUCTURAL SYSTEM BY MCVEIGH & MANGUM ENGINEERING FOR GENERAL CONFORMANCE TO THE APPROVED PLANS AND SPECIFICATIONS DOES NOT INCLUDE OR WAIVE THE RESPONSIBILITY FOR THE INSPECTIONS REQUIRED BY THE INTERNATIONAL BUILDING CODE.

VERIFY ALL DIMENSIONS WITH ARCHITECTURAL DRAWINGS.

CONTRACTOR SHALL VERIFY ALL EXISTING DIMENSIONS AND CONDITIONS OF EXISTING STRUCTURE AND SITES THAT ARE AFFECTED BY NEW WORK BEFORE PROCEEDING WITH FABRICATION AND CONSTRUCTION.

CONCRETE
 UNLESS OTHERWISE NOTED (UON) ON THE DRAWINGS, MINIMUM COVER FOR REINFORCING SHALL BE AS FOLLOWS:
 FOOTINGS: 3"
 SLABS AND WALLS (EXPOSED TO EARTH, LIQUID OR WEATHER): 2"

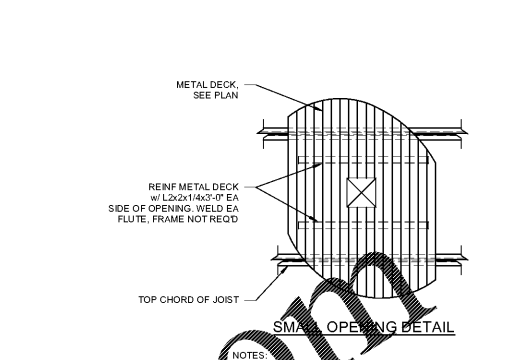
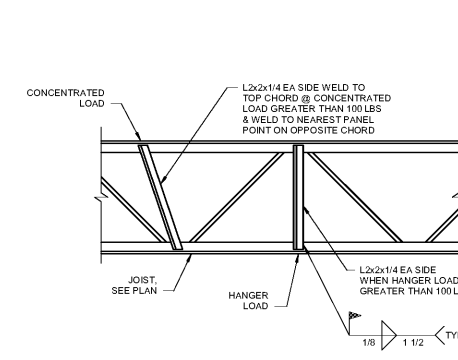
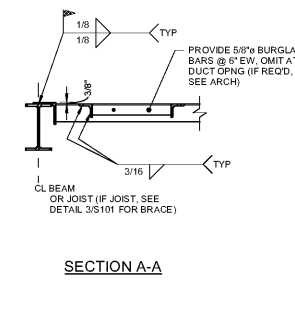
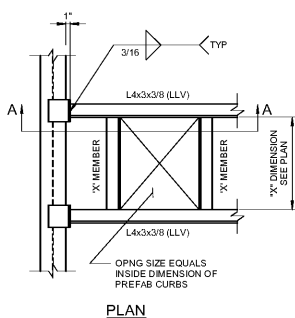
ALL REINFORCING SHALL BE HELD SECURELY IN POSITION WITH STANDARD ACCESSORIES IN CONFORMANCE WITH CRSI MANUAL OF STANDARD PRACTICE AND ACI 315 DURING THE PLACING OF THE CONCRETE.

UNLESS OTHERWISE NOTED, SPLICES IN REINFORCING, WHERE PERMITTED, SHALL BE AS FOLLOWS:
 WELDED WIRE FABRIC: WIRE SPACING PLUS 6"
 REINFORCING BARS: 40 BAR DIAMETERS

ALL HOOKS IN REINFORCING BARS SHALL BE AN ACI STANDARD HOOK, UNLESS OTHERWISE NOTED.

DOVELS FROM FOUNDATIONS OR SLABS TO WALLS SHALL MATCH WALL REINFORCING, UNLESS OTHERWISE NOTED. DOVELS SHALL BE PLACED BEFORE CONCRETE IS POURED. THEY SHALL NOT BE PUSHED INTO THE CONCRETE.

PROVIDE 3/4" CHAMFER AT ALL EXPOSED CORNERS OF BEAMS, WALL ETC.



NOTES:
 1. VERIFY ALL DIM w/ SUPPLIER BEFORE FABRICATION.
 2. INSTALL PREFAB CURBS DIRECTLY ON STEEL SUPPORT ANGLES.
 3. ROOF DECK IS NOT REQUIRED INSIDE MECH UNIT CURB.
 4. AT OPENINGS 6' TO 12' PROVIDE L2x2x1/4x3'-0" LG PERPENDICULAR TO DECK SPAN. 90° WELD TO EA FLUTE.

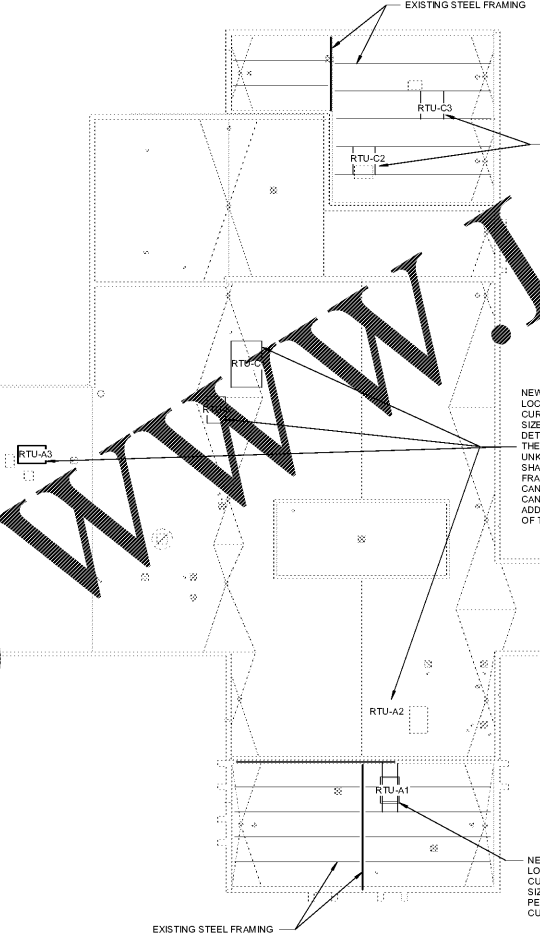
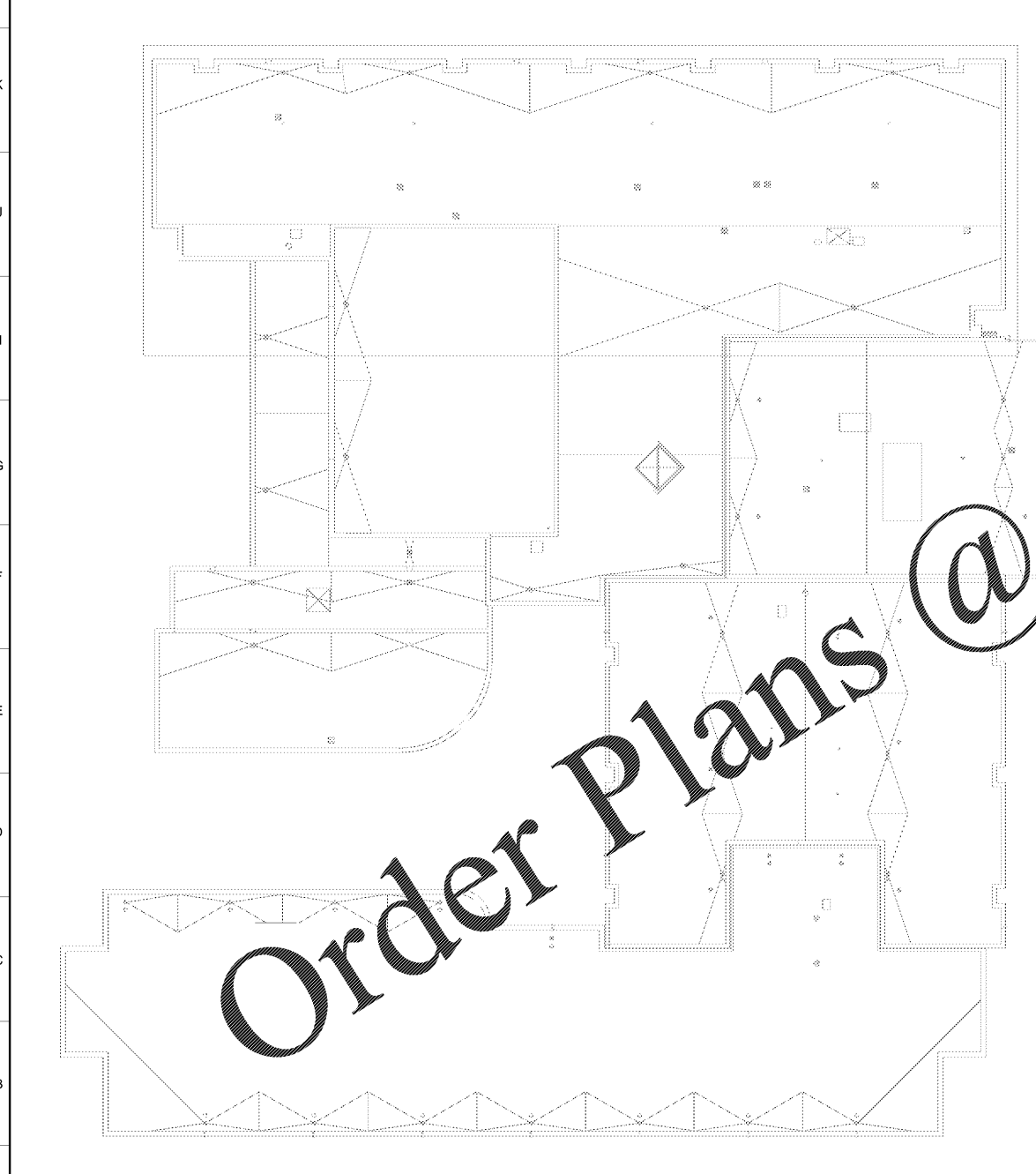
X" DIM	X" MEMBER
≤ 3'-0"	L3x3x5/16
≤ 6'-0"	L4x3x3/8 LLV
≤ 9'-0"	L4x4x3/8

1 GENERAL NOTES
 S101 SCALE: 3/4" = 1'-0"

2 TYPICAL FRAMING AT ROOF OPENING
 S101 SCALE: 3/4" = 1'-0"

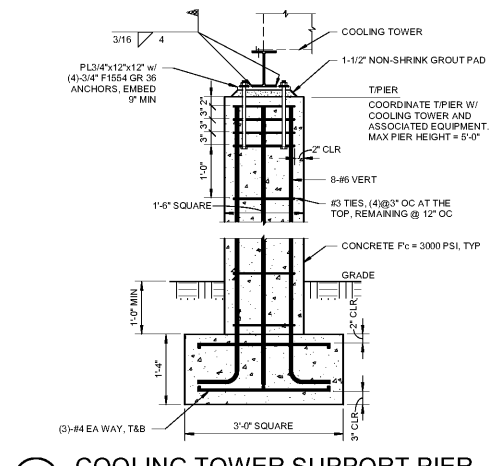
3 JOIST REINF FOR CONCENTRATED LOADS
 S101 SCALE: 3/4" = 1'-0"

4 SMALL OPENING DETAIL
 S101 SCALE: 3/4" = 1'-0"

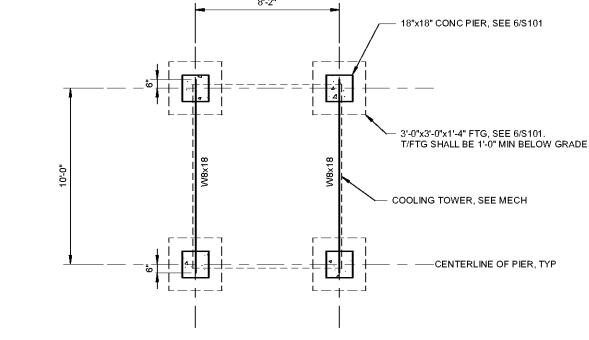


RTU MARK	RTU SCHEDULE	
	EXISTING RTU WEIGHT (LBS)	NEW RTU WEIGHT (LBS)
RTU-A1	600	1168
RTU-A2	?	976
RTU-A3	360	767
RTU-C1	2500	6600
RTU-C2	660	999
RTU-C3	360	767
RTU-K	1500	2663

NOTES:
 1. EXISTING RTU WEIGHTS ARE BASED ON EXISTING STRUCTURAL DRAWINGS. THESE WEIGHTS HAVE NOT BEEN CONFIRMED IN THE FIELD.



6 COOLING TOWER SUPPORT PIER
 S101 SCALE: 3/4" = 1'-0"



7 COOLING TOWER SUPPORT FRAMING PLAN
 S101 SCALE: 1/4" = 1'-0"

5 ROOF TOP EQUIPMENT SUPPORT FRAMING PLAN
 S101 SCALE: 1/16" = 1'-0"



FULTON COUNTY SCHOOL SYSTEM
EVOLINE C. WEST ELEMENTARY SCHOOL - RENOVATIONS
 7040 RIVERTOWN RD. FAIRBURN, GA 30213

PROJECT NO.	19048.00
PERMIT SET	1/15/2019
BD SET	2/28/2019



CONTRACT DOCUMENT
 ISSUED FOR CONSTRUCTION

SHEET TITLE
GENERAL NOTES, PLANS AND DETAILS

SHEET NUMBER
S101

Order Plans @

WWW.LDOnline.com