

1 2 3 4 5 6 7 8 9 10 11 12 13 14 15 16 17

P
N
M
L
K
J
H
G
F
E
D
C
B
A

KEYNOTE LEGEND

075216	STYRENE-BUTADIENE-STYRENE (SBS) MODIFIED BITUMINOUS MEMBRANE ROOFING
075423	THERMOPLASTIC POLYOLEFIN (TPO) ROOFING
075423.B02	TPO POLYISOCYANURATE INSUL TPO INSULATION COVER BOARD
075423.B04	

675 Tower Road
Marietta, GA 30060-6958
770.423.0016
www.cdipartners.com

CDH
ARCHITECTURE

FULTON COUNTY SCHOOL SYSTEM

EVOLINE C. WEST ELEMENTARY SCHOOL -
RENOVATIONS

7040 RIVERTOWN RD, FAIRBURN, GA 30213

PROJECT NO: 19048.00

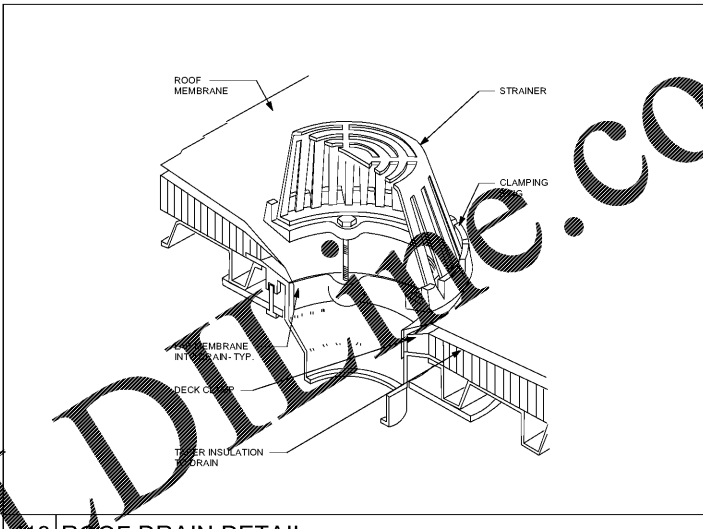
50% CD	08/07/2016
75% CD	10/04/2019
90% CD	11/15/2019
PERMIT SET	11/15/2019
BD SET	12/20/2019

STATE OF GEORGIA
DEPARTMENT OF REVENUE
REGISTERED ARCHITECT

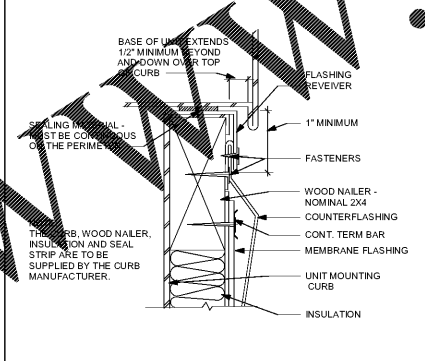
CONTRACT DOCUMENT
ISSUED FOR CONSTRUCTION

SHEET TITLE
ROOF DETAILS

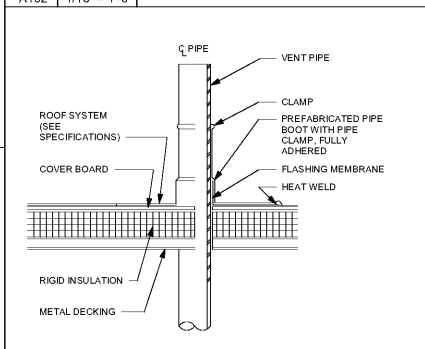
SHEET NUMBER
A152



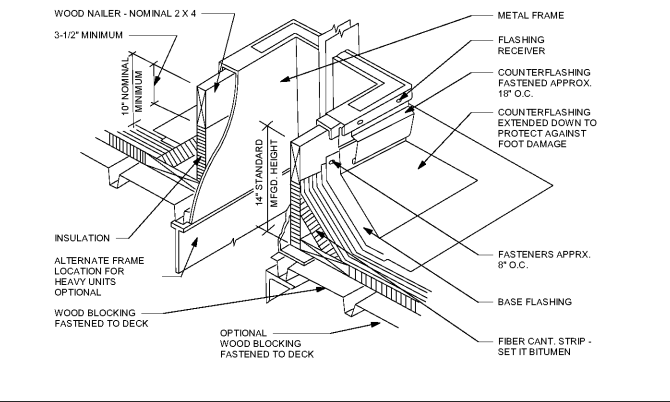
A13 ROOF DRAIN DETAIL
A152 1/16" = 1'-0"



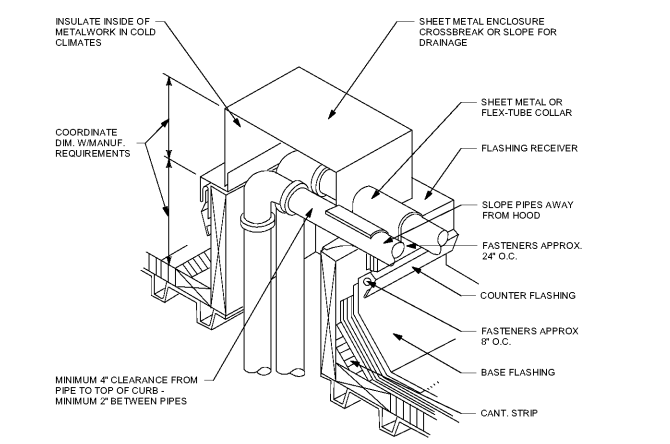
F10 ROOF CURB DETAIL
A152 1/16" = 1'-0"



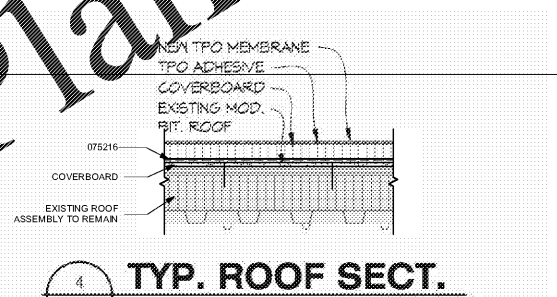
C10 ROOF DETAIL - VENT PIPE
A152 1/16" = 1'-0"



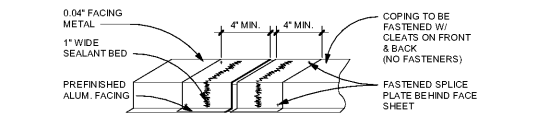
E13 CURB DETAIL - AXON
A152 1/16" = 1'-0"



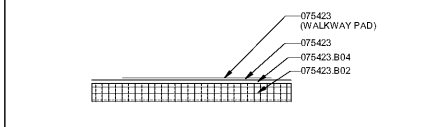
A13 PIPE PENETRATION
A152 1/16" = 1'-0"



C6 TYPICAL ROOFING DTL
A152 1/12" = 1'-0"



A6 COPING SPlice DETAIL
A152 1" = 1'-0"



A10 ROOF WALK PAD DETAIL
A152 1" = 1'-0"

Order Plans @ www.wpdilme.com

13/09/2019 12:45:58 PM