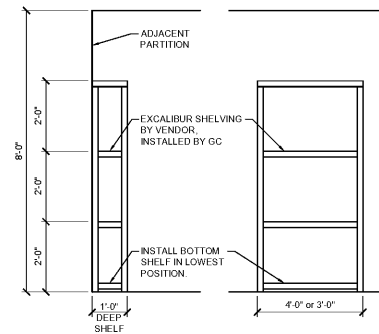
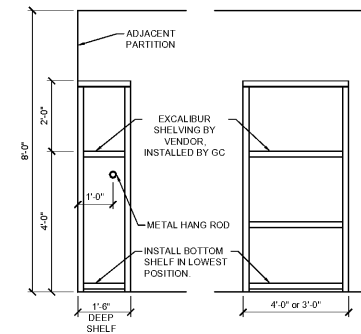


1 ENLARGED LAYAWAY CLOSET & FITTING ROOM PLAN
 SCALE: 1/2" = 1'-0"

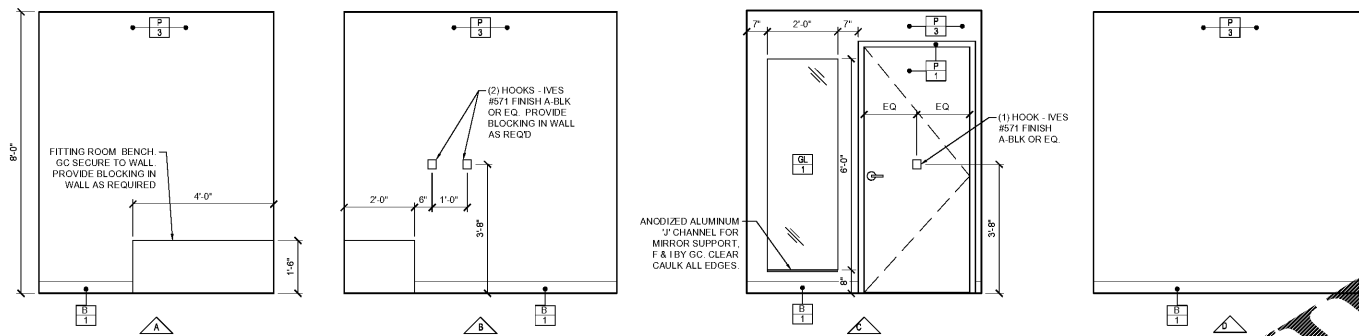


4 LAYAWAY CLOSET
 12" D SHELVING ELEVATION
 SCALE: 1/2" = 1'-0"

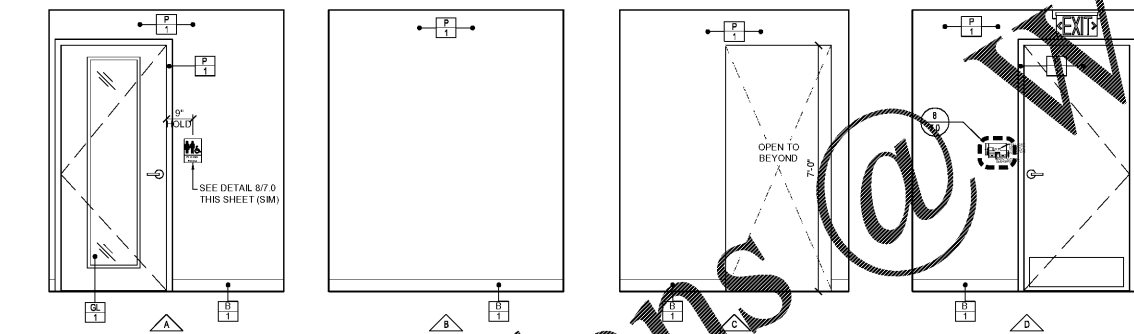


5 LAYAWAY CLOSET
 18" D SHELVING SECTION
 SCALE: 1/2" = 1'-0"

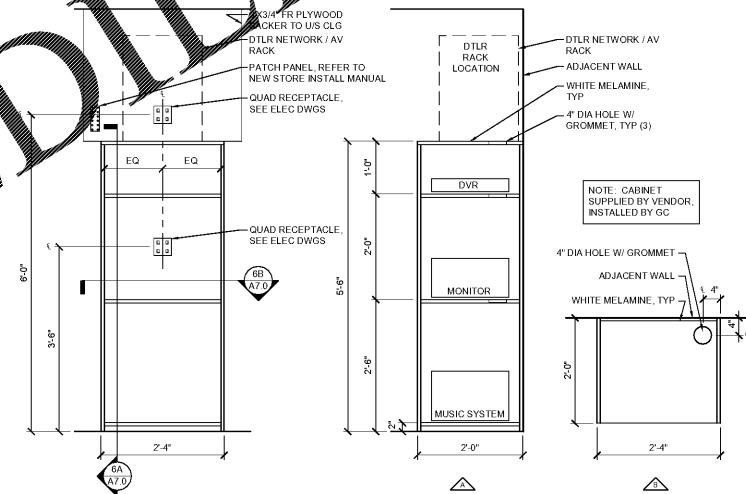
FITTING ROOM
 BENCH DETAIL
 SCALE: 1 1/2" = 1'-0"



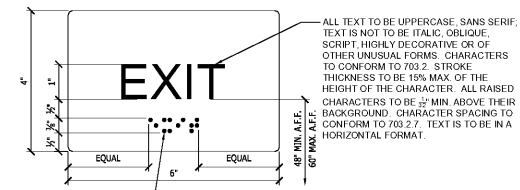
2 FITTING ROOM ELEVATIONS
 SCALE: 1/2" = 1'-0"



7 HALL ROOM ELEVATIONS
 SCALE: 1/2" = 1'-0"



6 AUDIO / VISUAL RACK ELEVATION
 SCALE: 3/4" = 1'-0"



8 EXIT SIGN MOUNTING DETAILS
 SCALE: 6" = 1'-0"

Order Plans @ WWW.LDLine.com



NO.	DATE	DESCRIPTION