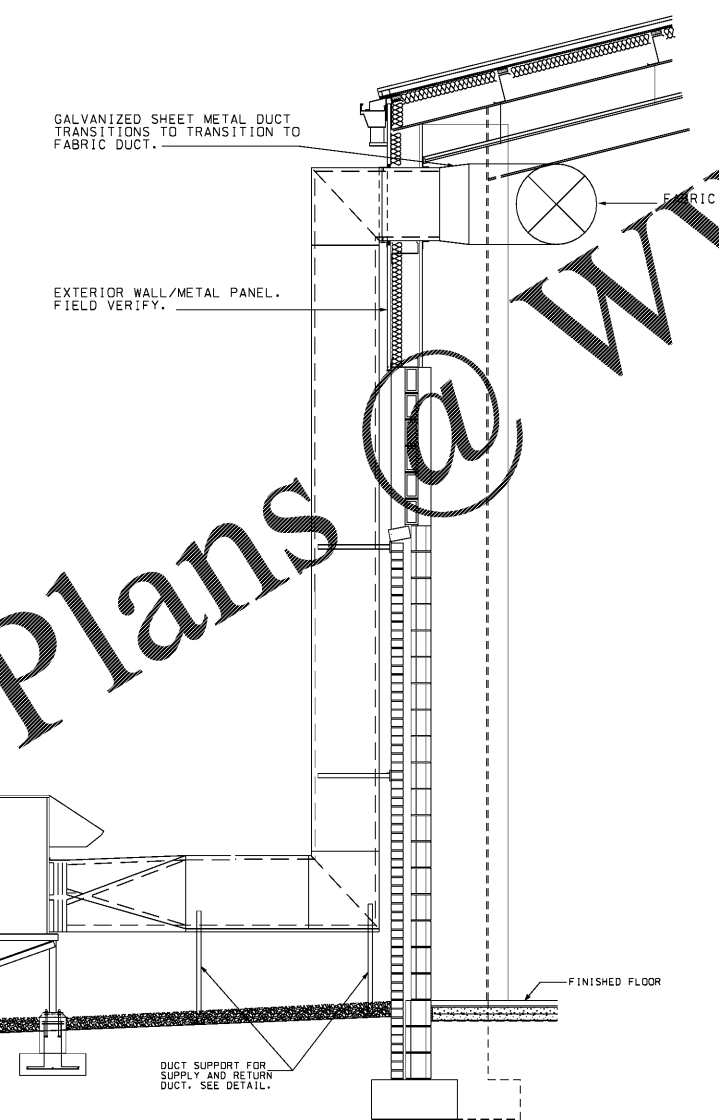
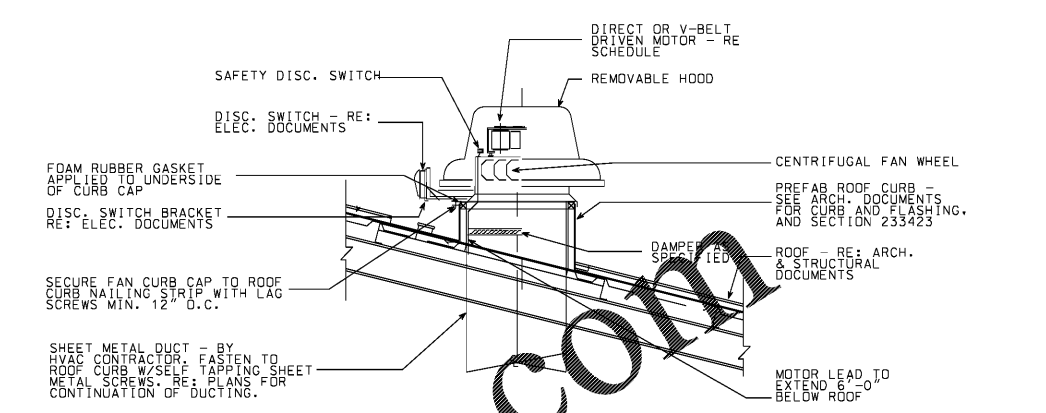


DETAIL- MAHU - WALL & CEILING RECESSED
No Scale
BB
M501

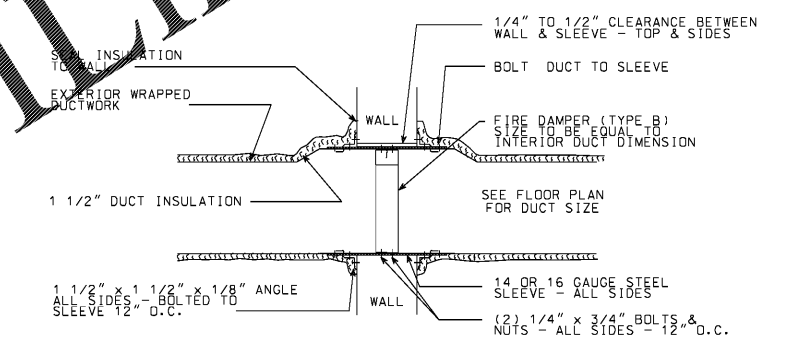
- NOTES: PMU
1. WEATHERPROOF ALL EXPOSED DUCTING IN COMPLIANCE WITH SPECIFICATION SECTION 230713 AS APPLICABLE. COVER DUCT WITH VINYL BACKED RIGID BOARD INSULATION AND SEAL.
 2. SEE ARCHITECTURAL FOR FLASHING OF DUCT PENETRATION AT WALL.
 3. DUCT TRANSITIONS SHALL NOT BLOCK OUTSIDE AIR HOOD AND SHALL BE AS GENTLE AS POSSIBLE.
 4. REUSE WALL OPENING WHERE EXISTING LOUVER IS REMOVED. STACK DUCTWORK WITH SUPPLY ABOVE RETURN. FIELD VERIFY SITE CONDITIONS PRIOR TO DUCT FABRICATION.



DETAIL- PAD MOUNTED UNIT AT GYMNASIUM
No Scale
N8
M501

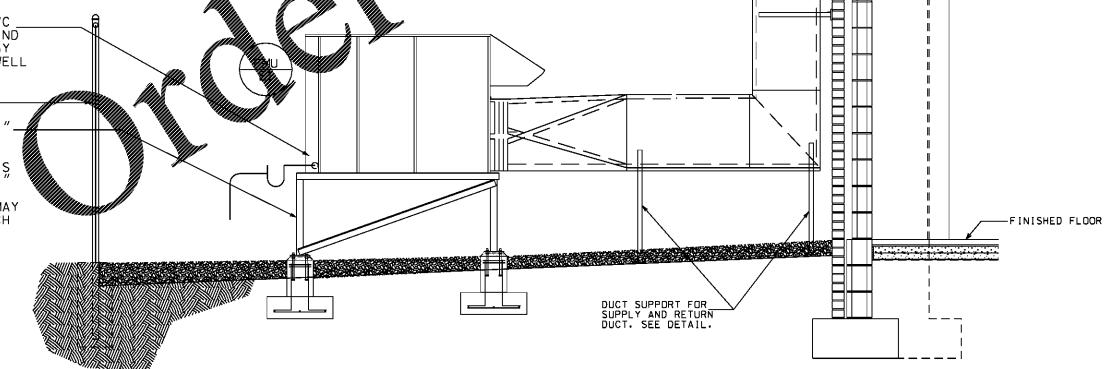


DETAIL - CENTRIFUGAL ROOF EXHAUST FAN (SLOPED ROOF)
Scale
D20
M501



DETAIL - FIRE DAMPER FOR EXTERIOR INSULATION
No Scale
G20
M501

- FULL SIZE, TRAPPED, PVC CONDENSATE LINE - EXTEND FROM UNIT TO 24" DIA. BY 4 FT. DEEP GRAVEL DRYWELL SEE DRAIN TRAP DETAIL
- 6" CHAIN LINK FENCE
- MINIMUM 3" X 3" X 1/4" STEEL ANGLE EQUIPMENT STAND. ALL WELDED CONSTRUCTION WITH EDGES GROUND SMOOTH. MIN. 18" HIGH AT CONTRACTORS OPTION STEEL I BEAMS MAY BE USED. PAINT TO MATCH UNIT.



Order Plans @ WWW.LDILine.com

Southern A&E 7951 Iron Circle Austell, Ga. 30168 (770) 819-7777 architects & engineers	REVISED December 20 2019
	DATE December 10 2019
© COPYRIGHT 2019 BY SOUTHERN A&E, LLC. ALL RIGHTS RESERVED. THIS DOCUMENT IS THE PROPERTY OF SOUTHERN A&E, LLC AND SHALL NOT BE COPIED OR REPRODUCED IN WHOLE OR IN PART WITHOUT EXPRESSED WRITTEN CONSENT FROM SOUTHERN A&E, LLC.	
JOB NUMBER 01 610 292	
HVAC RENOVATIONS FOR: LEE MIDDLE SCHOOL GYMNASIUM COWETA COUNTY SCHOOL SYSTEM NEWNAN, GEORGIA	
STATE OF GEORGIA GREGOR SCHILLING REGISTERED ARCHITECT	STATE OF GEORGIA MICHAEL C. WALDRON REGISTERED ENGINEER
DRAWING NUMBER M501	