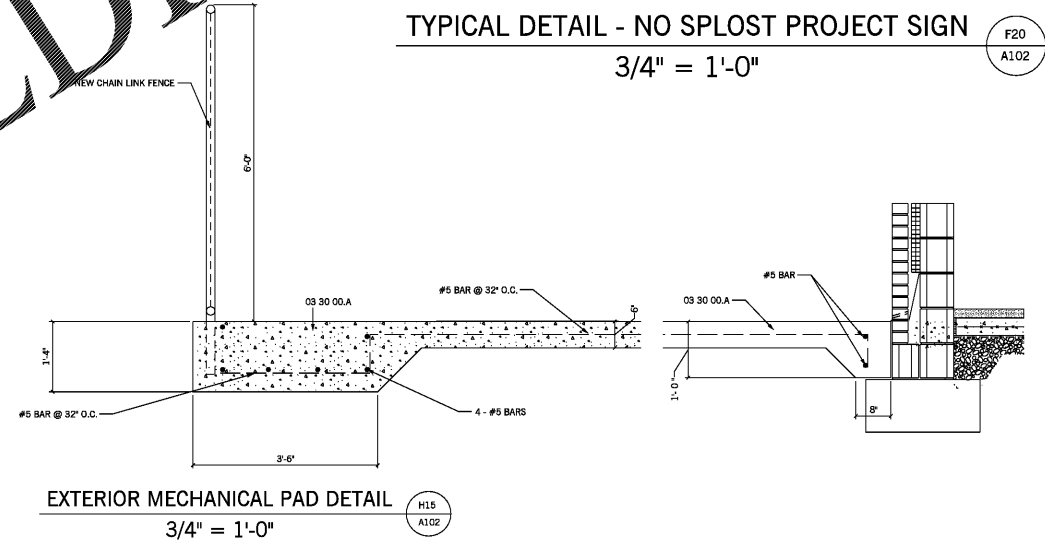
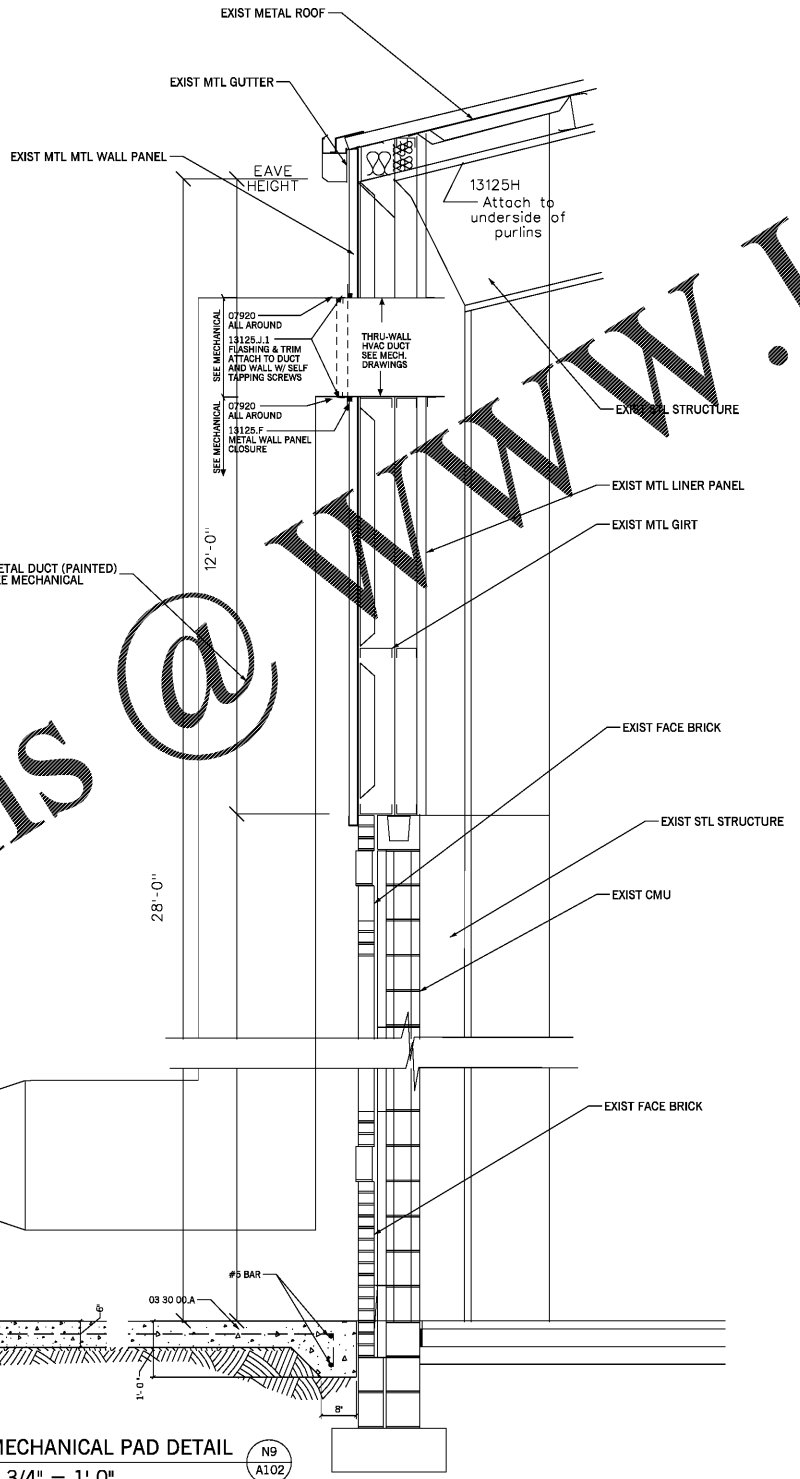
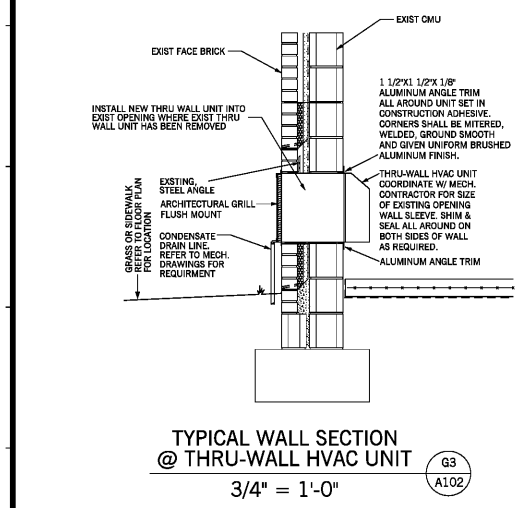
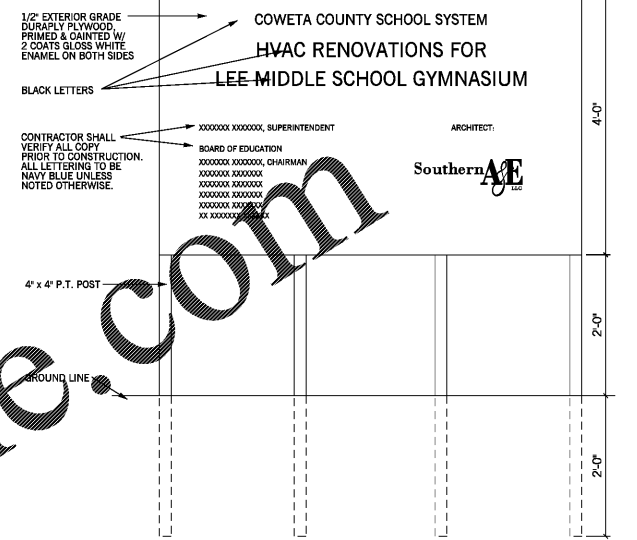
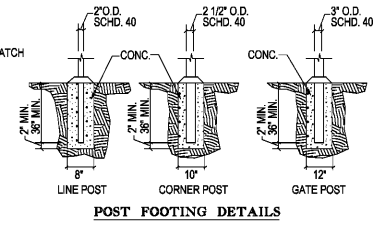
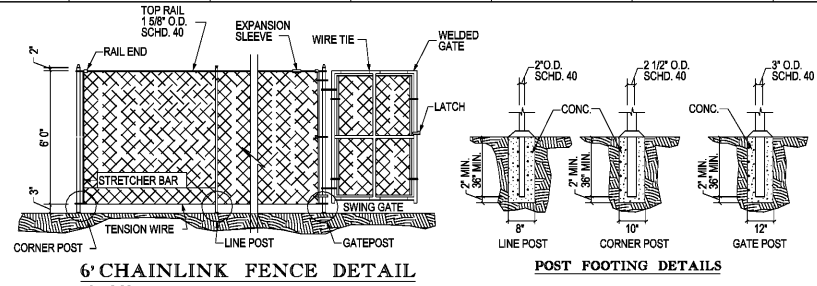
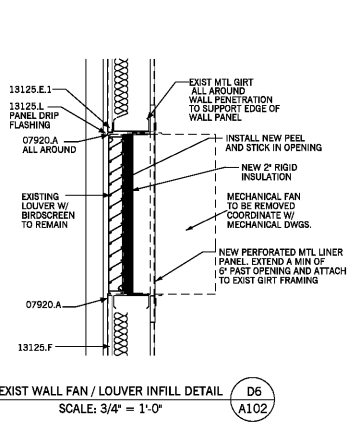
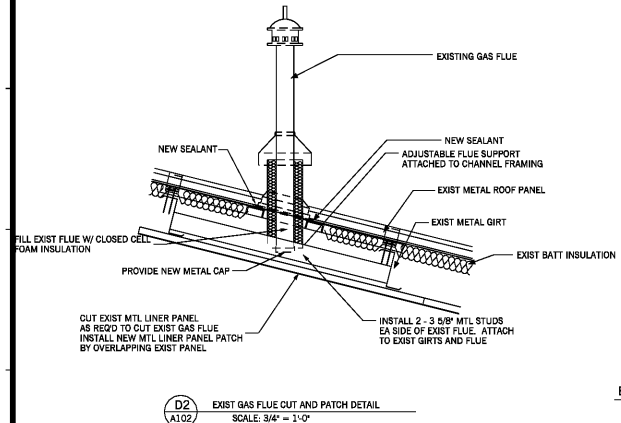
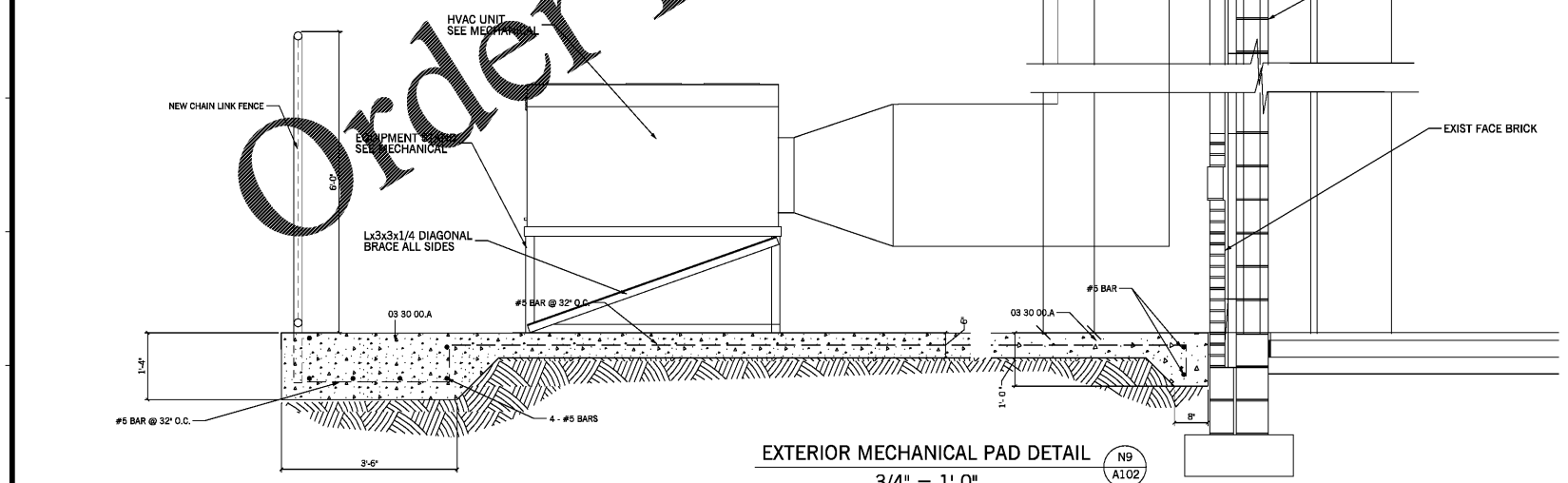


1 2 3 4 5 6 7 8 9 10 11 12 13 14 15 16 17 18 19 20

A  
B  
C  
D  
E  
F  
G  
H  
I  
J  
K  
L  
M  
N



Order Plans @



**Southern A&E** REVISOR  
7951 Troon Circle  
Austell, Ga. 30168  
(770) 819-7777  
architects & engineers  
DATE December 10 2019  
JOB NUMBER 01 610 292

© COPYRIGHT 2019 BY SOUTHERN A&E, LLC. ALL RIGHTS RESERVED.  
THIS DOCUMENT IS THE PROPERTY OF SOUTHERN A&E, LLC AND SHALL NOT BE COPIED OR REPRODUCED IN WHOLE OR IN PART WITHOUT EXPRESSED WRITTEN CONSENT FROM SOUTHERN A&E, LLC.

HVAC RENOVATIONS FOR:  
**LEE MIDDLE SCHOOL GYMNASIUM**  
COWETA COUNTY SCHOOL SYSTEM  
NEWNAN, GEORGIA

DRAWING NUMBER  
**A102**

STATE OF GEORGIA  
GREGORY SCHILLING  
REGISTERED ARCHITECT