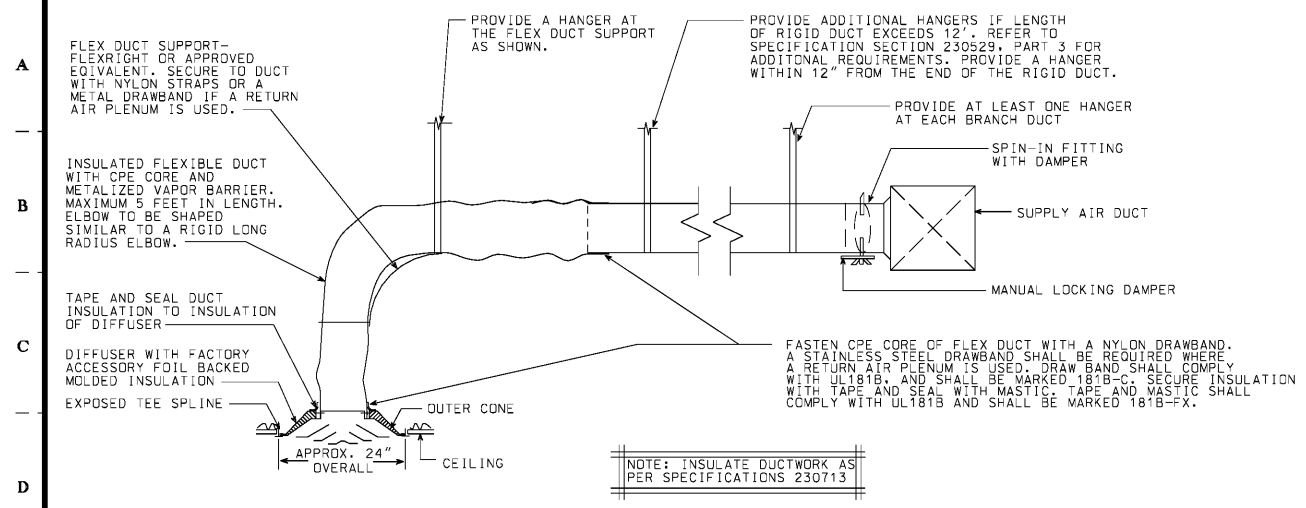
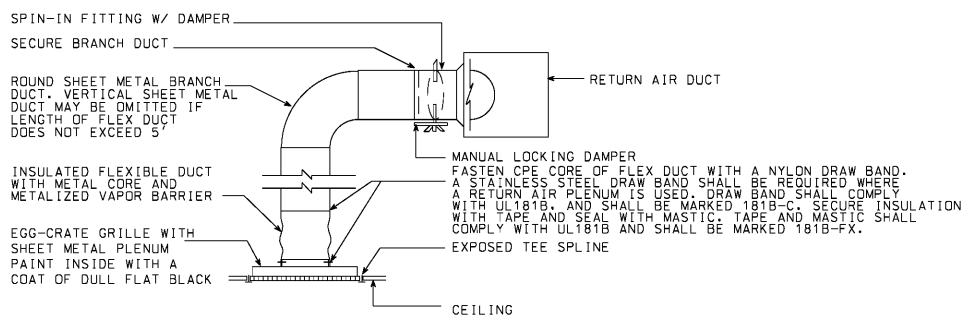


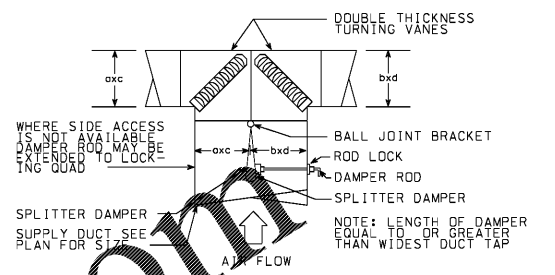
1 2 3 4 5 6 7 8 9 10 11 12 13 14 15 16 17 18 19 20



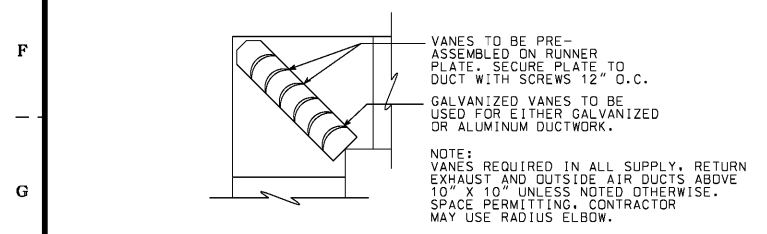
DETAIL - DUCT CONNECTION (E6) No Scale M502



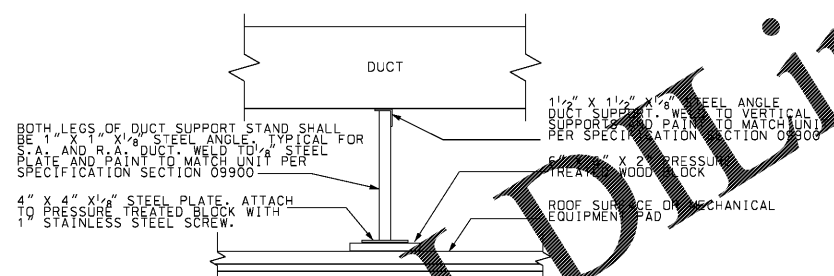
DETAIL- RETURN GRILLE CONNECTION (C14) No Scale M502



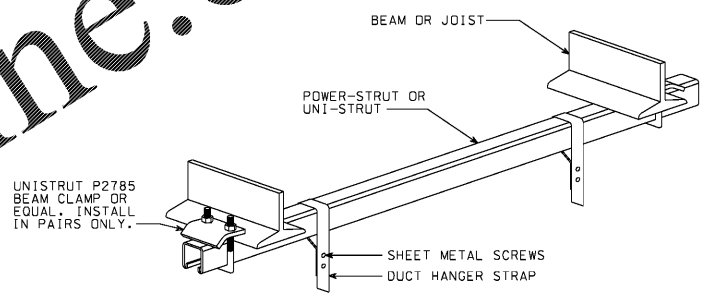
DETAIL- SPLITTER DAMPER (C20) No Scale M502



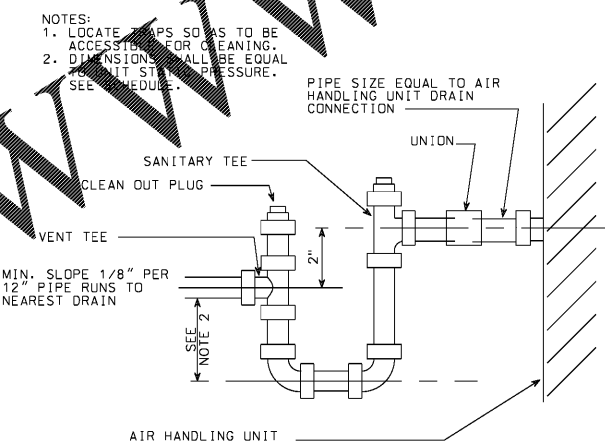
DETAIL- RECT. ELBOW W/ TURNING VANES (H5) No Scale M502



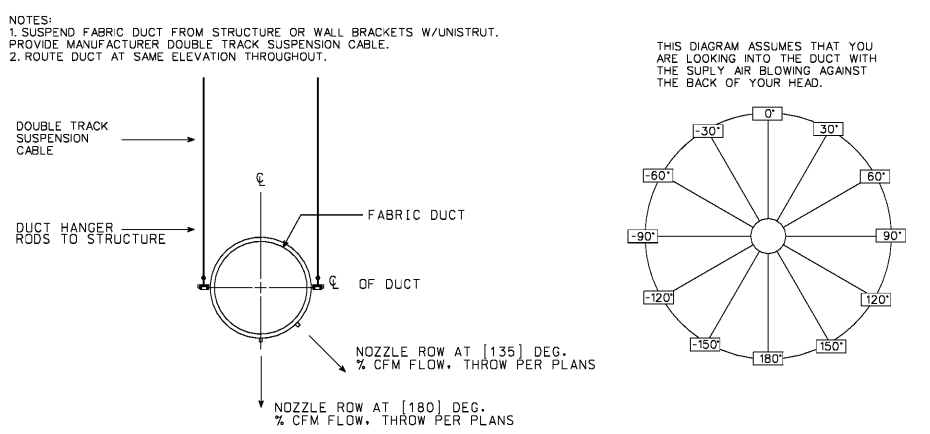
DETAIL - DUCT SUPPORT STAND (F14) No Scale M502



DETAIL - DUCT HANGER (F19) No Scale M502

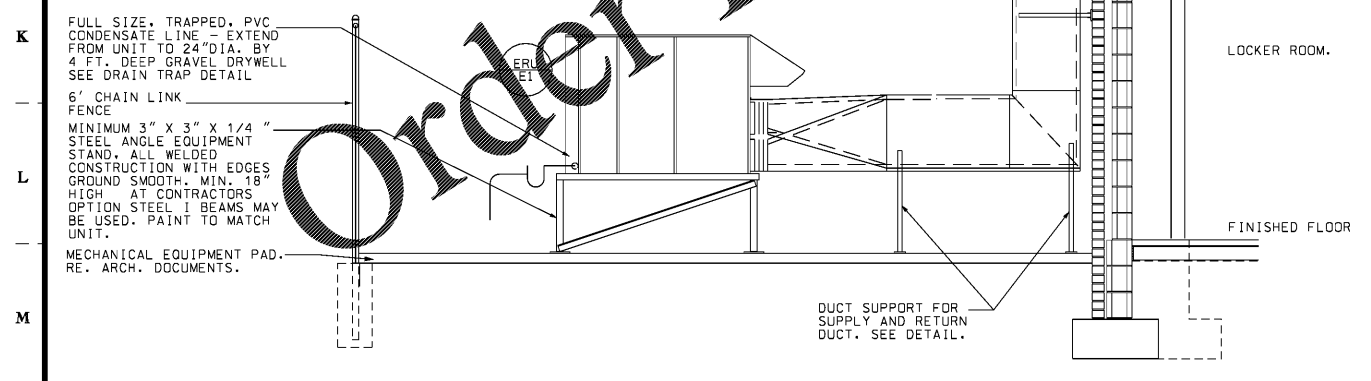


DETAIL- CONDENSATE DRAIN P-TRAP (J14) No Scale M502

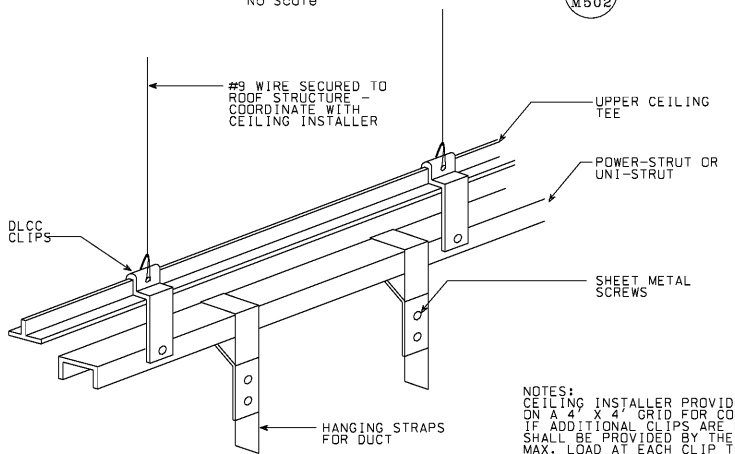


DETAIL - FABRIC DUCT ORIFICE DIAGRAM (J20) No Scale M502

- NOTES: PMU
1. WEATHERPROOF ALL EXPOSED DUCTING IN COMPLIANCE WITH SPECIFICATION SECTION 230713 AS APPLICABLE. COVER DUCT WITH VINYL BACKED RIGID BOARD INSULATION AND SEAL.
  2. SEE ARCHITECTURAL FOR FLASHING OF DUCT PENETRATION AT WALL.
  3. DUCT TRANSITIONS SHALL NOT BLOCK OUTSIDE AIR HOOD AND SHALL BE AS GENTLE AS POSSIBLE.
  4. REUSE WALL OPENING WHERE EXISTING LOUVER IS REMOVED. STACK DUCTWORK WITH SUPPLY ABOVE RETURN. FIELD VERIFY SITE CONDITIONS PRIOR TO DUCT FABRICATION.



DETAIL- ERU UNIT AT LOCKER ROOM (N7) No Scale M502



DETAIL - DUCT HANGER (N13) No Scale M502

**Southern A&E** REGISTERED ARCHITECTS & ENGINEERS  
 7951 Troon Circle  
 Austell, Ga. 30168  
 (770) 819-7777

REVISED December 20 2019  
 DATE December 10 2019  
 JOB NUMBER 01 610 291

HVAC RENOVATIONS FOR  
**EAST COWETA**  
**MIDDLE SCHOOL GYMNASIUM**  
 COWETA COUNTY SCHOOL SYSTEM  
 NEWNAN, GEORGIA

STATE OF GEORGIA REGISTERED ARCHITECT  
 GREGORY SCHULTE

STATE OF GEORGIA REGISTERED ENGINEER  
 MICHAEL C. WALDRON

DRAWING NUMBER  
**M502**