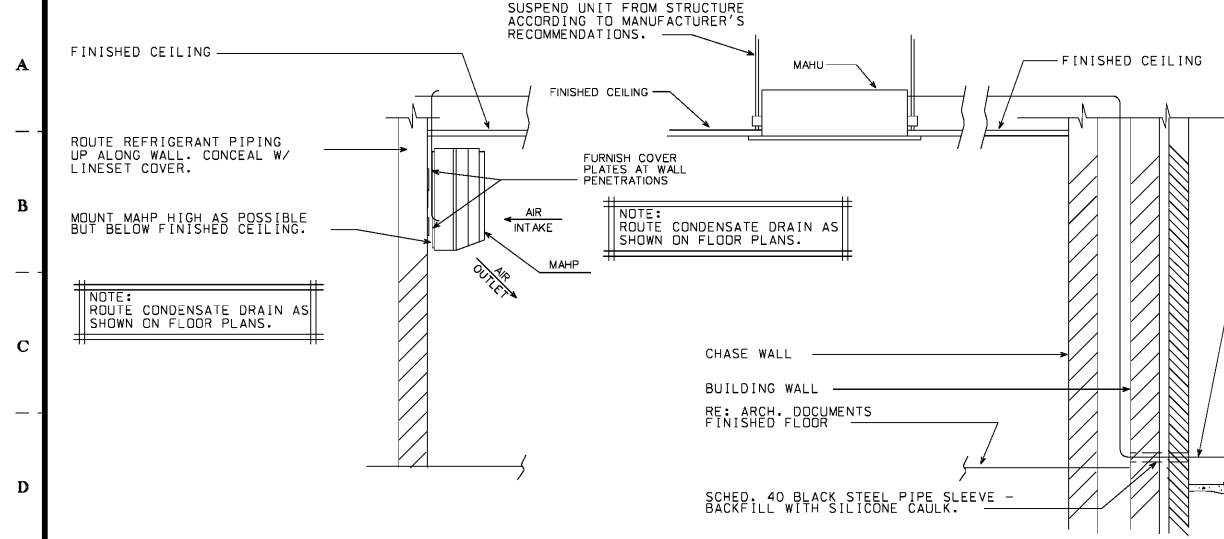
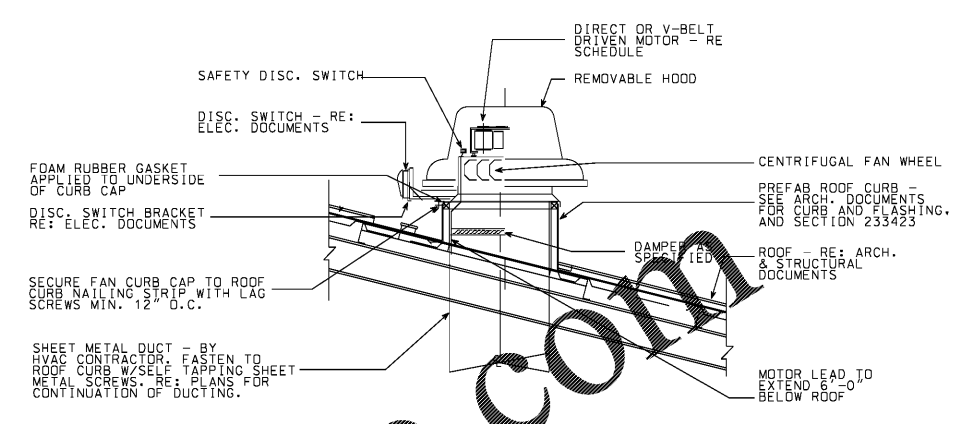


1 2 3 4 5 6 7 8 9 10 11 12 13 14 15 16 17 18 19 20

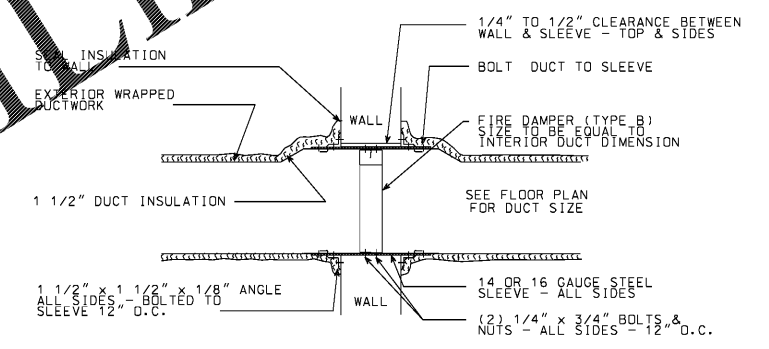


DETAIL- MAHU - WALL & CEILING RECESSED
No Scale
BB
M501

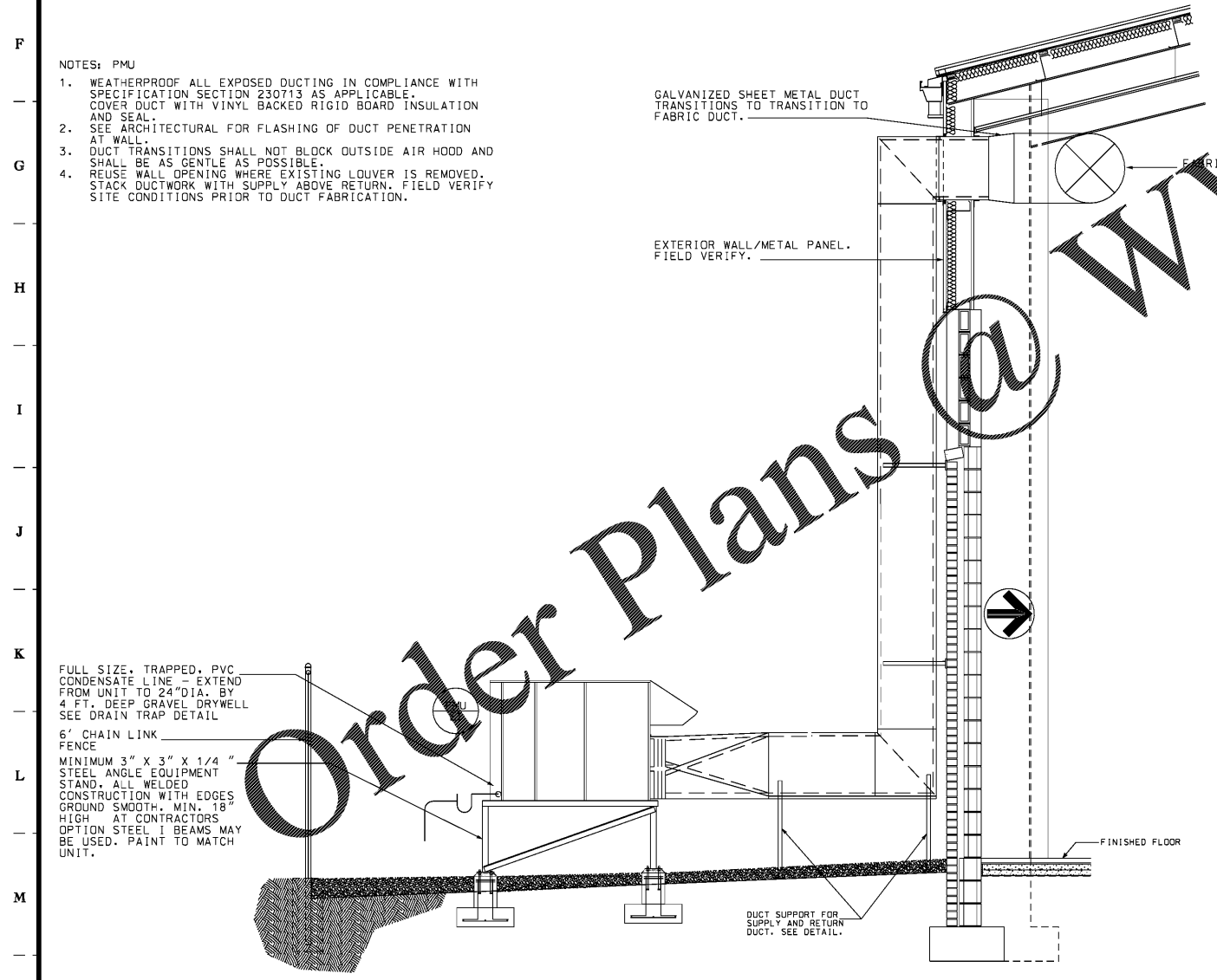


DETAIL - CENTRIFUGAL ROOF EXHAUST FAN (SLOPED ROOF)
Scale
D20
M501

- NOTES: PMU
1. WEATHERPROOF ALL EXPOSED DUCTING IN COMPLIANCE WITH SPECIFICATION SECTION 230713 AS APPLICABLE. COVER DUCT WITH VINYL BACKED RIGID BOARD INSULATION AND SEAL.
 2. SEE ARCHITECTURAL FOR FLASHING OF DUCT PENETRATION AT WALL.
 3. DUCT TRANSITIONS SHALL NOT BLOCK OUTSIDE AIR HOOD AND SHALL BE AS GENTLE AS POSSIBLE.
 4. REUSE WALL OPENING WHERE EXISTING LOUVER IS REMOVED. STACK DUCTWORK WITH SUPPLY ABOVE RETURN. FIELD VERIFY SITE CONDITIONS PRIOR TO DUCT FABRICATION.



DETAIL - FIRE DAMPER FOR EXTERIOR INSULATION
No Scale
G20
M501



DETAIL- PAD MOUNTED UNIT AT GYMNASIUM
No Scale
N8
M501

Order Plans @ WWW.LDILine.com

Southern A&E 7951 Troon Circle Austell, Ga. 30168 (770) 819-7777 architects & engineers	REVISED December 20 2019
	DATE December 10 2019
<small>© COPYRIGHT 2019 BY SOUTHERN A&E, LLC. ALL RIGHTS RESERVED. THIS DOCUMENT IS THE PROPERTY OF SOUTHERN A&E, LLC AND SHALL NOT BE COPIED OR REPRODUCED IN WHOLE OR IN PART WITHOUT EXPRESSED WRITTEN CONSENT FROM SOUTHERN A&E, LLC.</small>	JOB NUMBER 01 610 291
HVAC RENOVATIONS FOR: EAST COWETA MIDDLE SCHOOL GYMNASIUM COWETA COUNTY SCHOOL SYSTEM NEWNAN, GEORGIA	
STATE OF GEORGIA GREGOR SCHILLING REGISTERED ARCHITECT	STATE OF GEORGIA MICHAEL C. WALDRUP REGISTERED ENGINEER
DRAWING NUMBER M501	