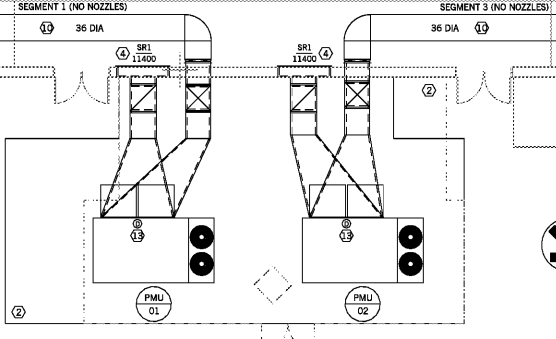
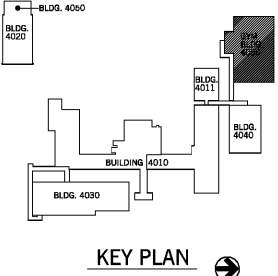


RENOVATION NOTES - THIS SHEET ONLY

- ① INSTALL NEW ROOF MOUNTED EXHAUST FAN ON EXISTING CURB.
- ② MECHANICAL EQUIPMENT PAD. SEE ARCHITECTURAL DOCUMENTS. PAD SHALL EXTEND TO THE EXTERIOR WALL OF THE BUILDING. RE: ARCH. DOCUMENTS.
- ③ LINED AND INSULATED SUPPLY AND RETURN DUCT ROUTED ALONG EXTERIOR FACE OF WALL. REUSE EXISTING WALL OPENINGS TO ROUTE S.A. DUCTWORK INTO BUILDING.
- ④ INSTALL RETURN AIR GRILLE AT SAME ELEVATION AS SUPPLY DUCT PENETRATION. BOTTOM OF GRILLE SHALL MATCH BOTTOM OF EXISTING WALL OPENING.
- ⑤ EXISTING HEAT RECOVER FANS TO REMAIN. REMOVE EXISTING CONTROLS. REFER TO SPECIFICATIONS 23 09 93 FOR NEW CONTROLS AND SEQUENCING.
- ⑥ EXISTING DUCTWORK AND ASSOCIATED AIR DISTRIBUTION DEVICES SHOWN BY DASHED LINES IN THIS ROOM SHALL REMAIN.
- ⑦ REUSE EXISTING FIRE DAMPERS. REPAIR/REPLACE FUSIBLE LINK AS NECESSARY.
- ⑧ TRANSITION FROM UNIT CONNECTIONS AND ROUTE S.A. AND R.A. DUCT UP ALONG EXTERIOR WALL AND PENETRATE WALL ABOVE CEILING. ROUTE S.A. DUCT MIN. 16 ABOVE CEILING. ROUTE E.A. DUCT ABOVE S.A. DUCT. TIE TO EXISTING DUCTWORK AT LOCATIONS SHOWN.
- ⑨ TIE EXISTING S.A. DUCT TO NEW S.A. DUCTWORK AT THIS LOCATION. ENSURE LEAK FREE JOINTS.
- ⑩ DUCTWORK IN GYMNASIUM SHALL BE FABRIC DUCT TYPE - FABRIC DUCT (K-FIBER OR APPROVED EQUIVALENT) WITH NOZZLES FOR DIRECTIONAL DELIVERY. RE: DETAIL XX. DUCT SHALL BE SUSPENDED FROM STRUCTURE USING CABLE AND A DUCT HANG TRACK (SAFETRACK 360 OR APPROVED EQUIVALENT) FOR SUPPORT. MINIMUM ELEVATION DUCT AT WALL PENETRATION. COORDINATE FABRIC DUCT ROUTING WITH EXISTING LIGHT FIXTURES, SIGNAL SWING, SPEAKERS, ETC. COLOR SHALL BE COORDINATED DURING SHOP DRAWING REVIEW PHASE.
- ⑪ HVAC CONTROL PANEL.
- ⑫ PROVIDE CAGE TYPE THERMOSTAT COVER.
- ⑬ UNIT MOUNTED SMOKE DETECTOR. SPECIFICATION SECTION 23 05 00 AND 23 05 95.
- ⑭ REMOTE BMS TEMPERATURE SENSOR.



GYMNASIUM - RENOVATION FLOOR PLAN - HVAC M15 M101 1/8" = 1'-0"

**Southern A&E** architects & engineers  
 7951 Troon Circle  
 Austell, Ga. 30168  
 (770) 819-7777

REVISED December 20 2019  
 DATE December 10 2019  
 JOB NUMBER 01 610 291

HVAC RENOVATIONS FOR:  
**EAST COWETA MIDDLE SCHOOL GYMNASIUM**  
 COWETA COUNTY SCHOOL SYSTEM  
 NEWNAN, GEORGIA

STATE OF GEORGIA REGISTERED ARCHITECT  
 GREGORY SCHILLING

STATE OF GEORGIA REGISTERED ENGINEER  
 MICHAEL C. WALDRON

DRAWING NUMBER  
**M102**