

GENERAL PLUMBING DEMOLITION NOTES:

CAP OR PLUG ALL PLUMBING PIPING NOT BEING USED BACK AT A POINT WHERE IT WILL NOT BE VISIBLE FROM FINISHED SPACES. DO NOT LEAVE ANY OPEN PIPING.

ALL REMOVED PLUMBING EQUIPMENT, FIXTURES, DEVICES, AND APPURTENANCES SHALL REMAIN THE PROPERTY OF THE OWNER AND SHALL BE DELIVERED TO A LOCATION DESIGNATED BY THE OWNER. ANY ITEMS THE OWNER DOES NOT WANT TO RETAIN OWNERSHIP OF SHALL BECOME THE PROPERTY OF THE CONTRACTOR AND SHALL BE REMOVED FROM THE SITE. DO NOT USE THE OWNER'S WASTE RECEPTACLES FOR CONSTRUCTION REFUSE.

ALL EXISTING PLUMBING SYSTEMS NOT BEING REMOVED SHALL REMAIN ACTIVE UNLESS NOTED OTHERWISE.

PATCH AND REPAIR ALL CEILINGS, FLOORS, WALLS, SIDEWALKS, DRIVES, ROOFS, ETC. DAMAGED DUE TO NEW PLUMBING WORK TO MATCH EXISTING CONDITIONS. PAINT OR INSTALL NEW FINISH COVERINGS AS REQUIRED TO MATCH EXISTING FINISHED SURFACES BEING DISTURBED.

GRASS OR PROVIDE NEW SOD IN ALL GRASS LOCATIONS DISTURBED BY NEW PLUMBING WORK.

PLUMBING UTILITIES SYMBOL LEGEND

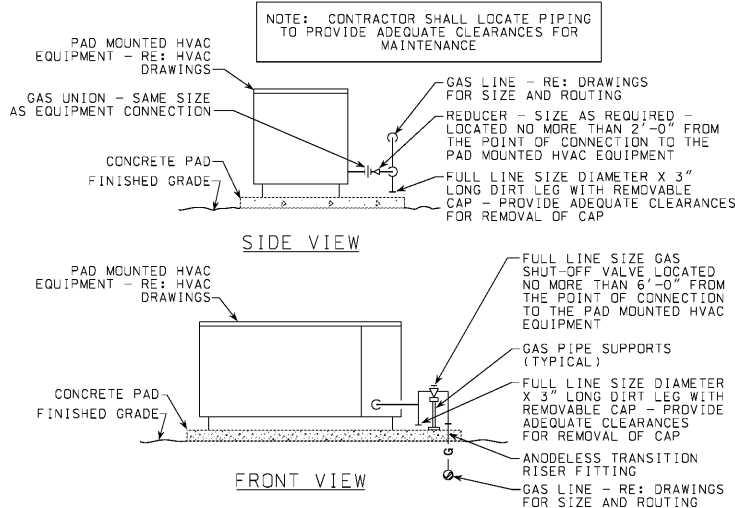
NOTE: NOT ALL SYMBOLS TABULATED BELOW ARE NECESSARILY USED ON THE DRAWINGS. (N/A = NOT APPLICABLE)

SYMBOL	ABRV.	DESCRIPTION	SYMBOL	ABRV.	DESCRIPTION
SS	SAN	SANITARY SEWER LINE (MUNICIPAL OR PRIVATE)	MH	MH	MANHOLE
GT	GT	GREASE TRAP WASTE LINE	FCO	FCO	ONE-WAY EXTERIOR CLEANOUT
AW	AW	ACID WASTE LINE	FCO	FCO	TWO-WAY EXTERIOR CLEANOUT
ST	ST	STORM SEWER DRAIN LINE	WV	WV	EXTERIOR WATER VALVE
CD	CD	CONDENSATE DRAIN LINE	GPR	GPR	GAS PRESSURE REGULATOR ASSEMBLY
V	V	SANITARY VENT LINE	PIV	PIV	POST INDICATOR VALVE W/TAMPER SWITCH
GT	GT	GREASE TRAP VENT LINE	FDC	FDC	FIRE DEPARTMENT SIAMESE CONNECTION
AV	AV	ACID VENT LINE	FH	FH	FIRE HYDRANT ASSEMBLY
W	CW	DOMESTIC COLD WATER LINE (MUNICIPAL OR PRIVATE)	DDC	DDC	DBL. DETECTOR CHECK VALVE ASSEMBLY IN METER VAULT
G	G	NATURAL GAS LINE	WM	WM	WATER METER ASSEMBLY IN METER VAULT
G	7" WC	LOW PRESSURE (7" WC) NATURAL GAS LINE	BFP	BFP	DOUBLE CHECK BACKFLOW ASSEMBLY IN METER VAULT
G	2 PSI	MEDIUM PRESSURE (2 PSI) NATURAL GAS LINE	N/A	GM	GAS METER ASSEMBLY
G	5 PSI	MEDIUM PRESSURE (5 PSI) NATURAL GAS LINE	N/A	IE	INVERT ELEVATION
LPG	LPG	LIQUID PROPANE GAS LINE	N/A	TE	TOP ELEVATION
F	F	FIRE PROTECTION LINE	N/A	RE:	REFERENCE
SP	SP	FIRE PROTECTION SPRINKLER LINE	N/A	DWG	DRAWING

Order Plans

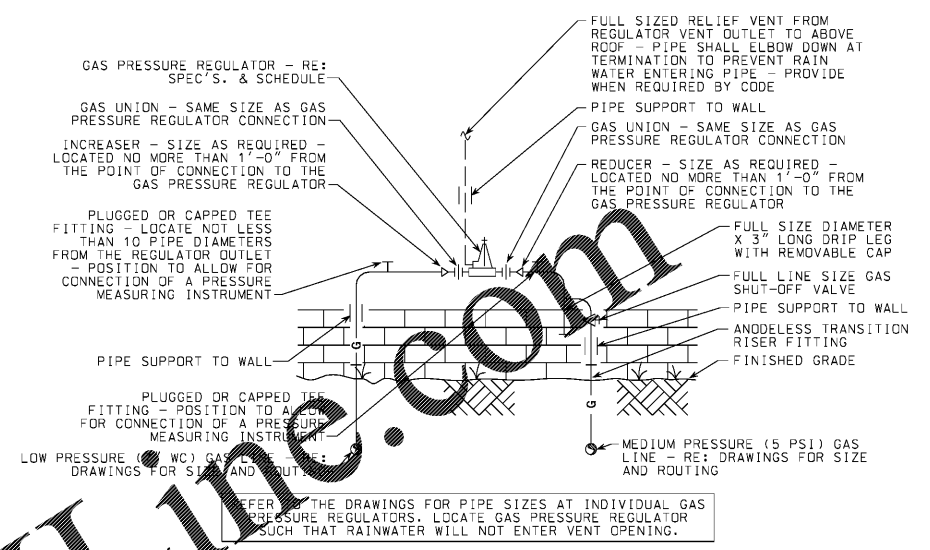
www.LDILLING.com

@



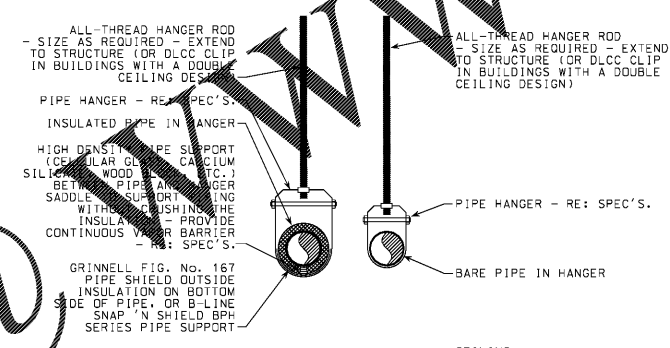
GAS CONNECTION DETAIL E12 P501

SCALE: NONE



GAS PRESSURE REGULATOR DETAIL E19 P501

SCALE: NONE

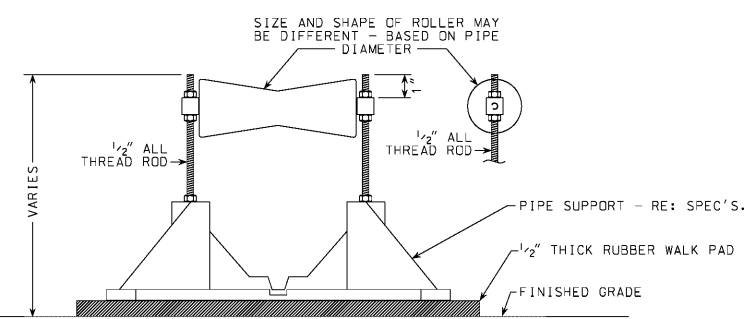


PIPE HANGER DETAIL J12 P501

SCALE: NONE

PIPE SUPPORT SPACING SCHEDULE

PIPE SIZE	PIPE SUPPORT SPACING
3/4"	6'-0"
1"	6'-0"
1 1/4"	8'-0"
1 1/2"	10'-0"
2"	10'-0"
2 1/2"	10'-0"
3"	10'-0"
4"	12'-0"



PIPING SUPPORT DETAIL I19 P501

SCALE: NONE

GAS PRESSURE REGULATOR SCHEDULE

QPR No.	REGULATOR	ESTIMATED LOADS (BTUH)	GAS TYPE	ORIFICE SIZE	VALVE ANGLE	INLET SIZE	OUTLET SIZE	VENT SIZE	SPRING COLOR	INLET PRESS. (PSI)	OUTLET PRESS. (PSI)	
1	SENSUS MODEL NO. 243-B-2	2,170,000	NATURAL	1"	30°	1 1/2"	1 1/2"	1"	GREEN	5.0	3.0	7"

NOTES:
 1. ALL GAS PRESSURE REGULATORS SHALL BE PERMANENTLY TAGGED WITH THE FOLLOWING INFORMATION: MANUFACTURER, MODEL No., ORIFICE SIZE, GAS LOAD, INLET PRESSURE, AND OUTLET PRESSURE.
 2. SUBMIT CUTSHEETS IN THE PLUMBING EQUIPMENT SUBMITTALS FOR ALL GAS PRESSURE REGULATORS. CLEARLY INDICATE WHICH REGULATOR IS BEING PROPOSED FOR USE FOR EACH REGULATOR SPECIFIED.
 3. ALL REGULATORS SHALL BE PROVIDED WITH A MAXIMUM OUTLET PRESSURE VARIANCE OF 1" W.C. DROOP TO 2" W.C. BOOST.
 4. POSITION ALL REGULATORS SUCH THAT RAINWATER CANNOT ENTER IN VENT OPENING.

Southern A&E REVISOR
 7951 Troon Circle
 Austell, Ga. 30168
 (770) 819-7777
 architects & engineers
 DATE December 10 2019
 JOB NUMBER 01 610 291

© COPYRIGHT 2019 BY SOUTHERN A&E, LLC. ALL RIGHTS RESERVED. THIS DOCUMENT IS THE PROPERTY OF SOUTHERN A&E, LLC AND SHALL NOT BE COPIED OR REPRODUCED IN WHOLE OR IN PART WITHOUT EXPRESS WRITTEN CONSENT FROM SOUTHERN A&E, LLC.

HVAC RENOVATIONS FOR:
EAST COWETA
MIDDLE SCHOOL GYMNASIUM
 COWETA COUNTY SCHOOL SYSTEM
 NEWNAN, GEORGIA

STATE OF GEORGIA REGISTERED ARCHITECT
 GREGORY SCHILIN
 STATE OF GEORGIA REGISTERED ENGINEER
 MICHAEL C. WALDRUP

DRAWING NUMBER
P501