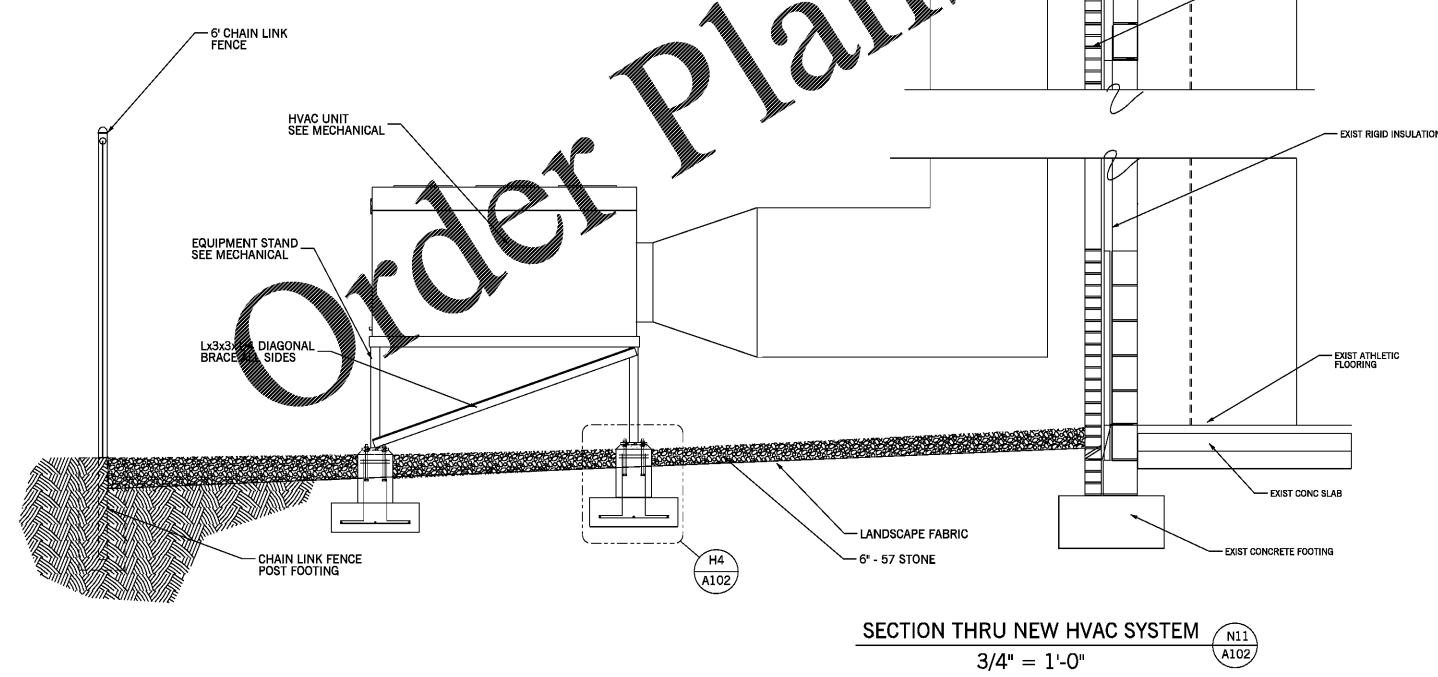
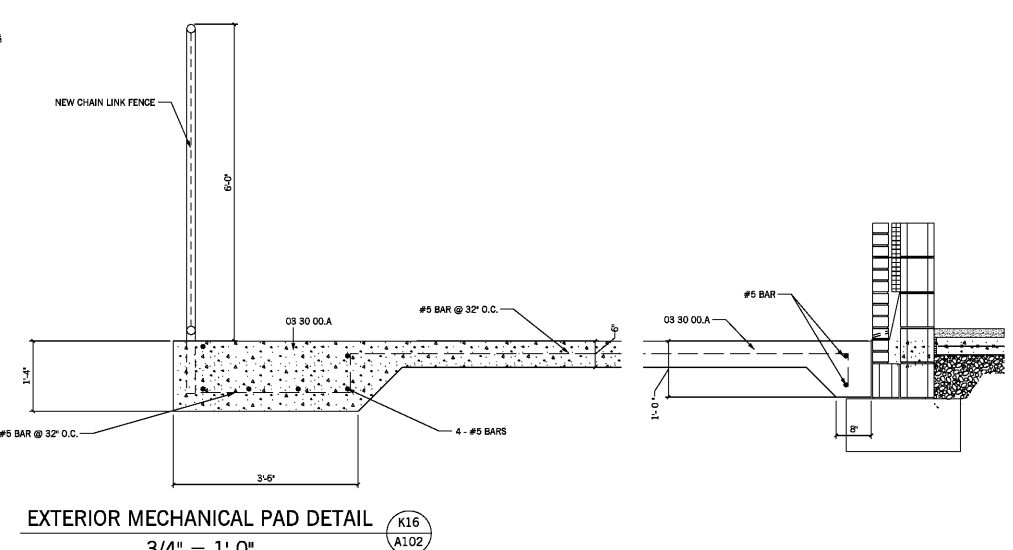
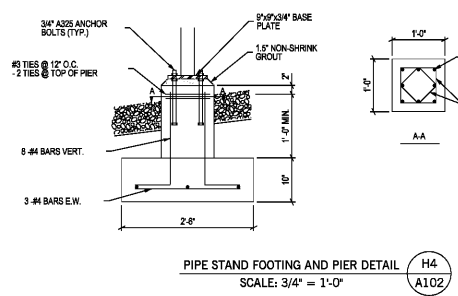
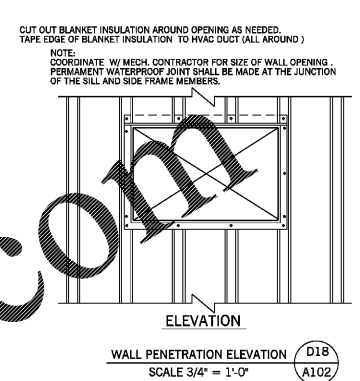
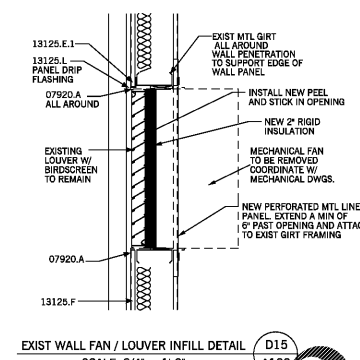
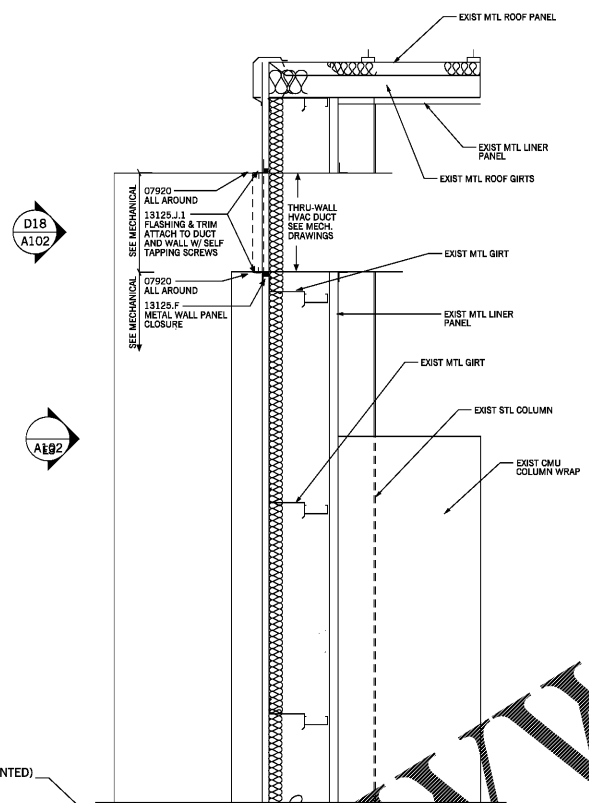
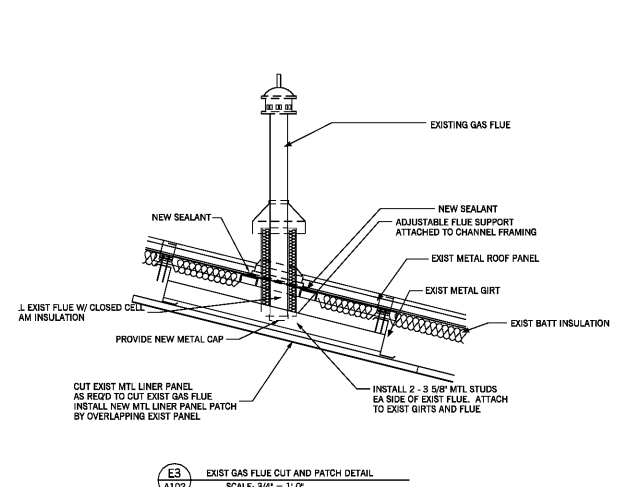


1 2 3 4 5 6 7 8 9 10 11 12 13 14 15 16 17 18 19 20

A  
B  
C  
D  
E  
F  
G  
H  
I  
J  
K  
L  
M  
N

A  
B  
C  
D  
E  
F  
G  
H  
I  
J  
K  
L  
M  
N



Order Plans

WWW.LDILine.com

<b>Southern A&amp;E</b> 7951 Troon Circle Austell, Ga. 30168 (770) 813-7777 architects & engineers		REVISED DATE: December 10 2019 JOB NUMBER: 01 610 291
HVAC RENOVATIONS FOR: <b>EAST COWETA          MIDDLE SCHOOL GYMNASIUM</b> COWETA COUNTY SCHOOL SYSTEM NEWNAN, GEORGIA		
STATE OF GEORGIA GREGORY SCHULTE REGISTERED ARCHITECT		DRAWING NUMBER <b>A102</b>