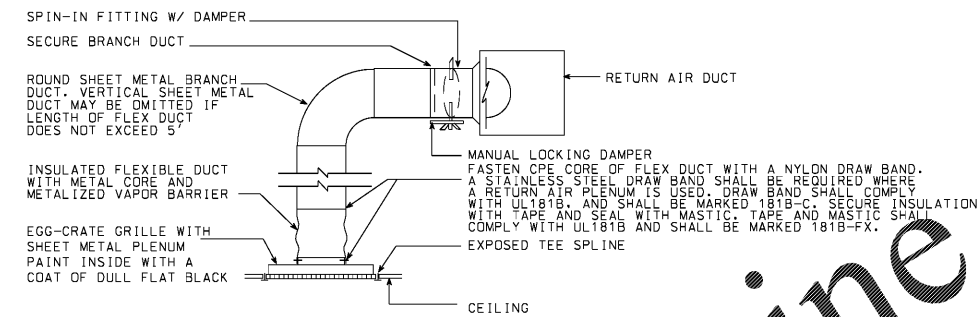
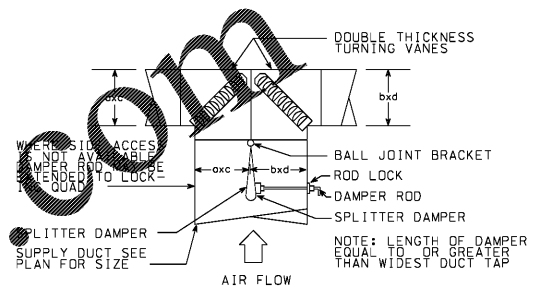


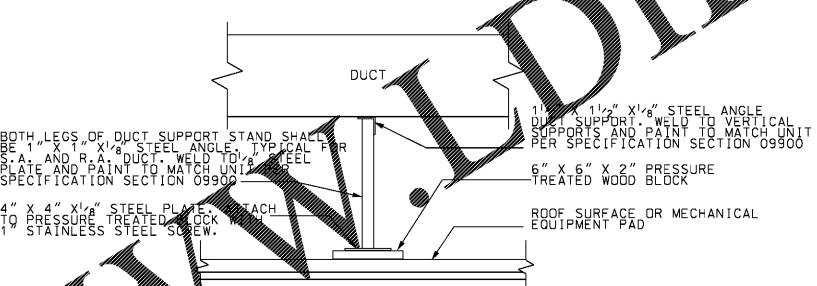
**DETAIL - DUCT CONNECTION (E6)**  
No Scale (M502)



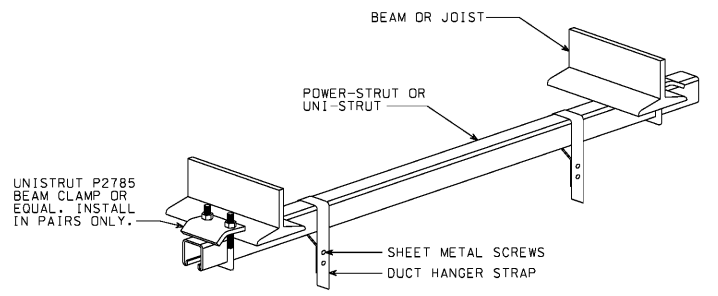
**DETAIL - RETURN GRILLE CONNECTION (E14)**  
No Scale (M502)



**DETAIL - SPLITTER DAMPER (E20)**  
No Scale (M502)

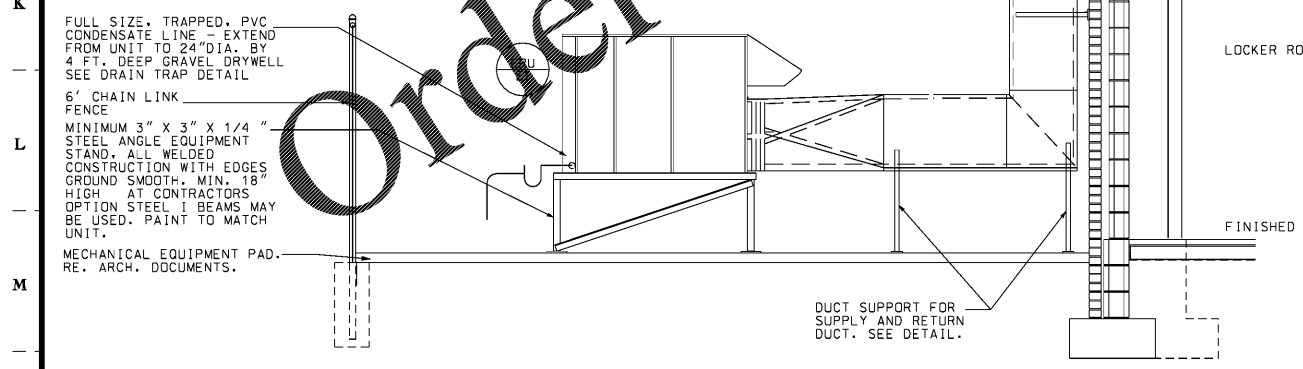


**DETAIL - DUCT SUPPORT STAND (G14)**  
No Scale (M502)

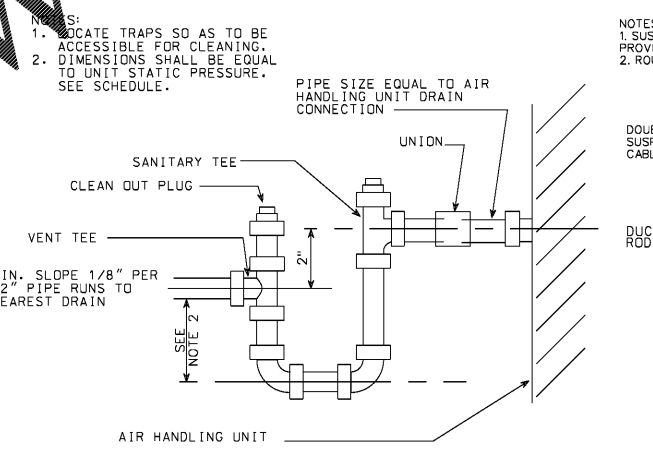


**DETAIL - DUCT HANGER (G19)**  
No Scale (M502)

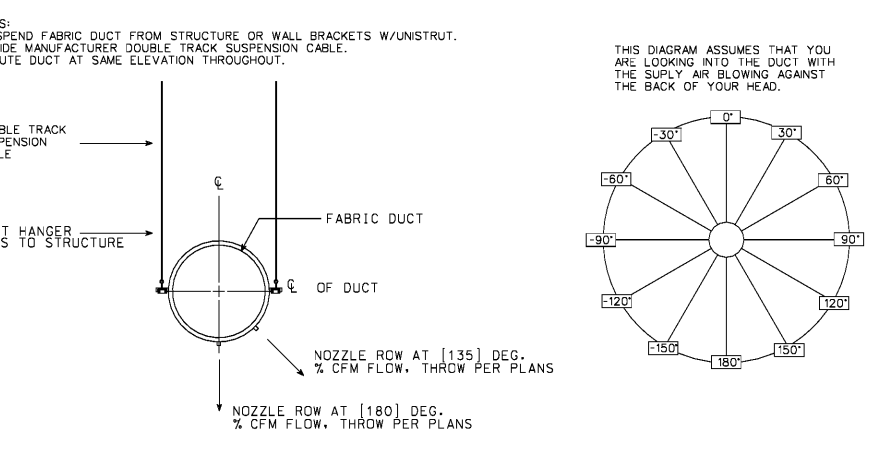
- NOTES: PMU
- 2" ACOUSTICALLY LINED SUPPLY AND RETURN DUCTS SEAL WEATHER TIGHT PER SPECIFICATION SECTION 230713. DO NOT INSULATE EXTERIOR. DUCT. PAINT EXTERIOR DARK BRONZE.
  - SEE ARCHITECTURAL FOR FLASHING OF DUCT PENETRATION AT WALL.
  - DUCT TRANSITIONS SHALL NOT BLOCK OUTSIDE AIR HOOD AND SHALL BE AS GENTLE AS POSSIBLE.



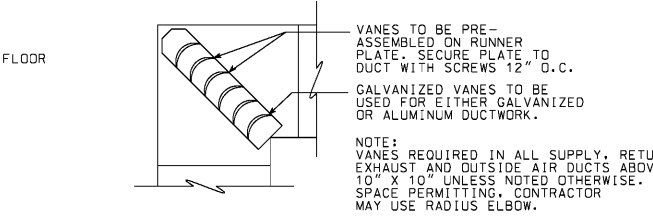
**DETAIL - ERU UNIT AT LOCKER ROOM (NB)**  
No Scale (M502)



**DETAIL - CONDENSATE DRAIN P-TRAP (K14)**  
No Scale (M502)



**DETAIL - FABRIC DUCT ORIFICE DIAGRAM (K20)**  
No Scale (M502)



**DETAIL - RECT. ELBOW W/ TURNING VANES (N14)**  
No Scale (M502)

**Southern A&E** REGISTERED ARCHITECTS & ENGINEERS  
7951 Troon Circle  
Austell, Ga. 30168  
(770) 819-7777

REVISED December 20 2019  
DATE December 10 2019  
JOB NUMBER 01 610 296

HVAC RENOVATIONS FOR:  
**ARNALL MIDDLE SCHOOL GYMNASIUM**  
COWETA COUNTY SCHOOL SYSTEM  
NEWNAN, GEORGIA

STATE OF GEORGIA REGISTERED ARCHITECT  
GREGORY SCHULTE  
STATE OF GEORGIA REGISTERED ENGINEER  
MICHAEL C. WALDRON

DRAWING NUMBER  
**M502**